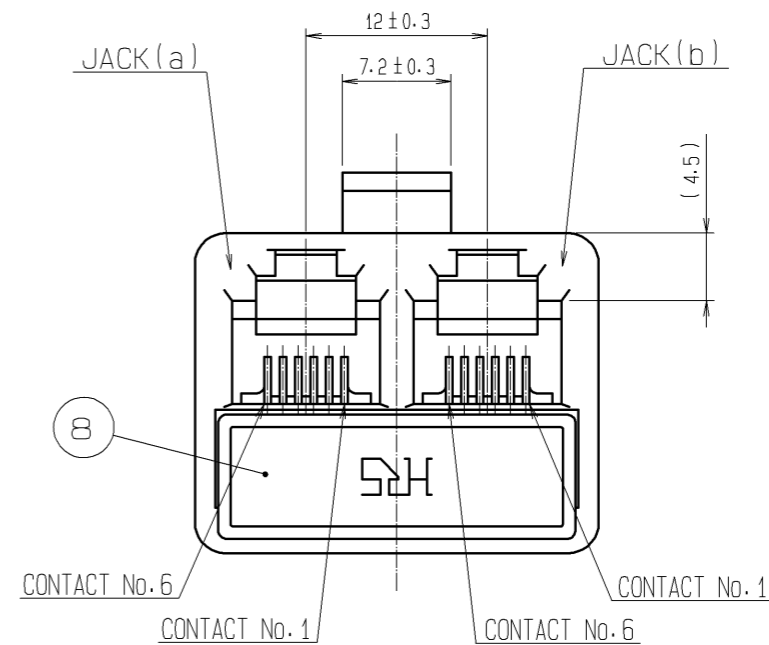
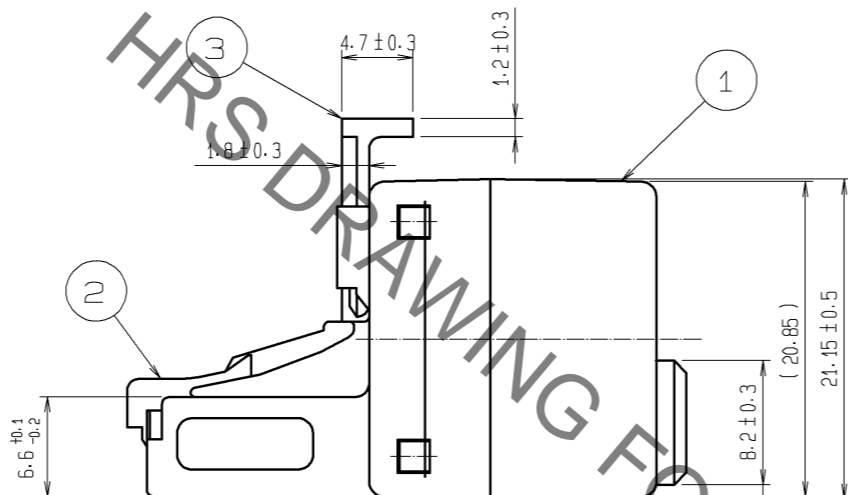
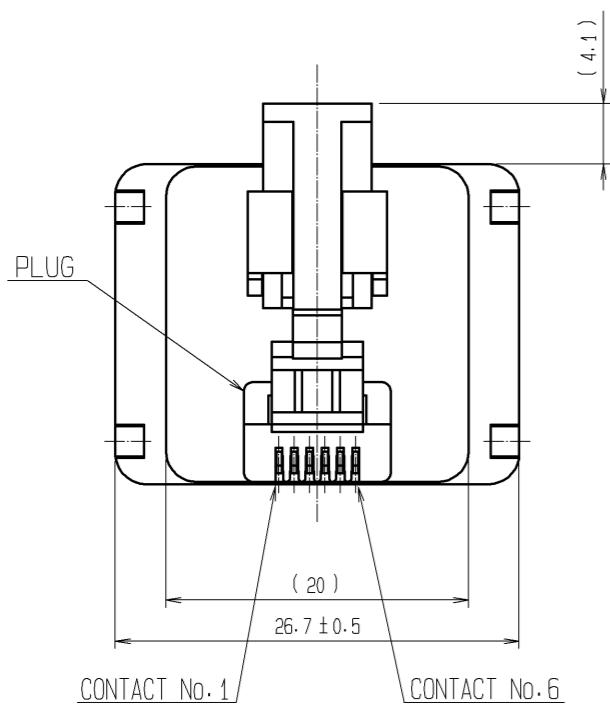
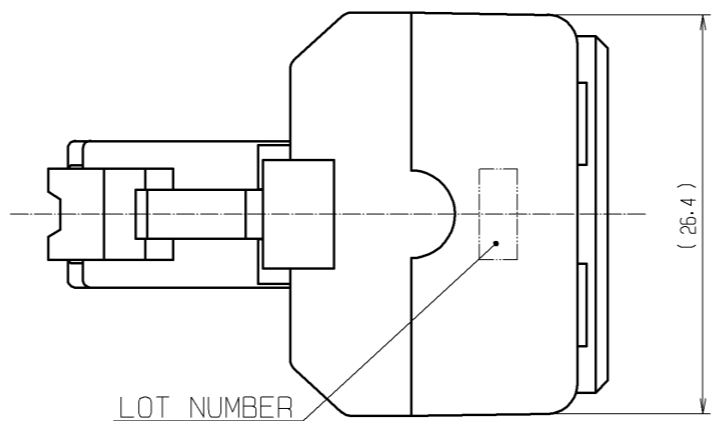
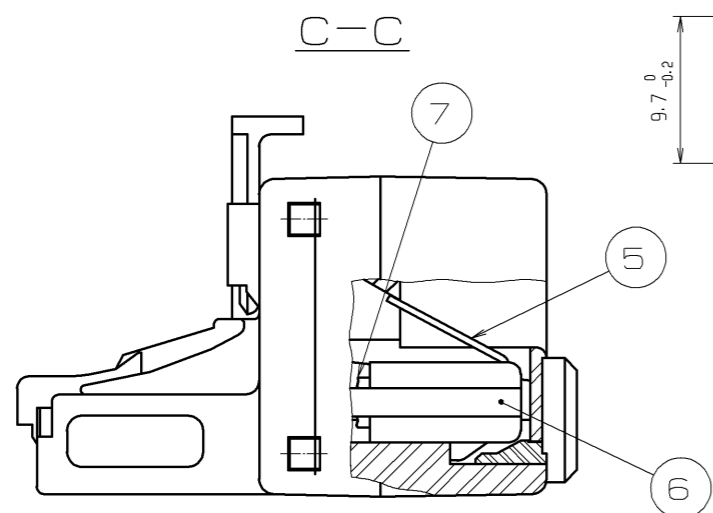
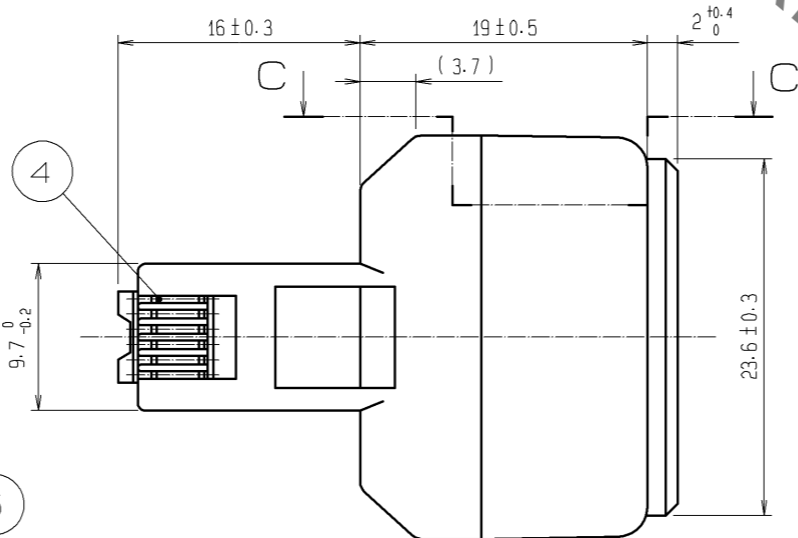


Jan.1.2021 Copyright 2021 HIROSE ELECTRIC CO., LTD. All Rights Reserved.
In case of consideration for using Automotive equipment / device which demand high reliability, kindly contact our sales window correspondents.



WIRING DIAGRAM

JACK(a) CONTACT No.	PLUG CONTACT No.	JACK(b) CONTACT No.
1	1	1
2	2	2
3	3	3
4	4	4
5	5	5
6	6	6



NO.	MATERIAL	FINISH . REMARKS	NO.	MATERIAL	FINISH . REMARKS
4	PHOSPHOR BRONZE	CONTACT PLATING UNDER PLATING GOLD 1.27µm min NICKEL 1µm min	8	POLYACETAL	(GRAY)
3	ABS	(LIGHT GRAY)	7	LEAD FREE PVC CABLE	TIN-COATING CABLE(0.16X7)
2	POLYCARBONATE	(LIGHT GRAY)	6	ABS	(BEIGE)
1	POLYCARBONATE	(LIGHT GRAY)	5	PHOSPHOR BRONZE	CONTACT PLATING UNDER PLATING GOLD 1.27µm min NICKEL 1.27µm min

UNITS	SCALE	COUNT	DESCRIPTION OF REVISIONS	DESIGNED	CHECKED	DATE
mm	2 : 1	△				
APPROVED : HO. MIWA			07.08.04	DRAWING NO. EDC3-121278-01		
CHECKED : SJ. SHIMIZU			07.08.04	PART NO. TM10RV-66PR6666(50)		
DESIGNED : TS. ITO			07.08.04	CODE NO. CL222-2844-7-50		
DRAWN : YK. SATO			07.08.03			