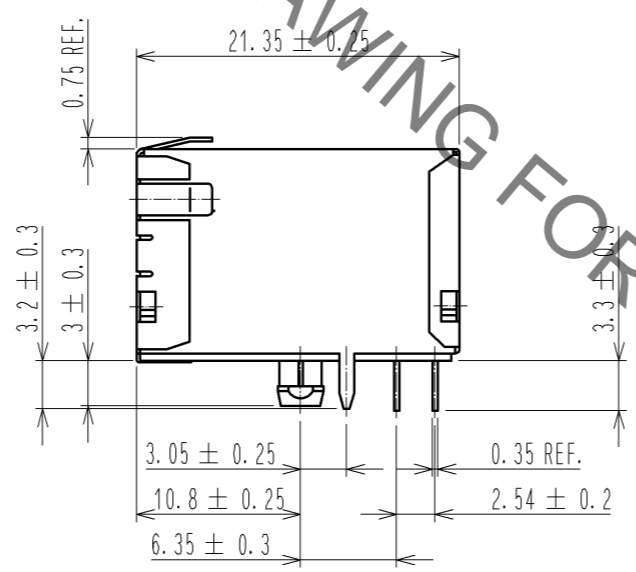
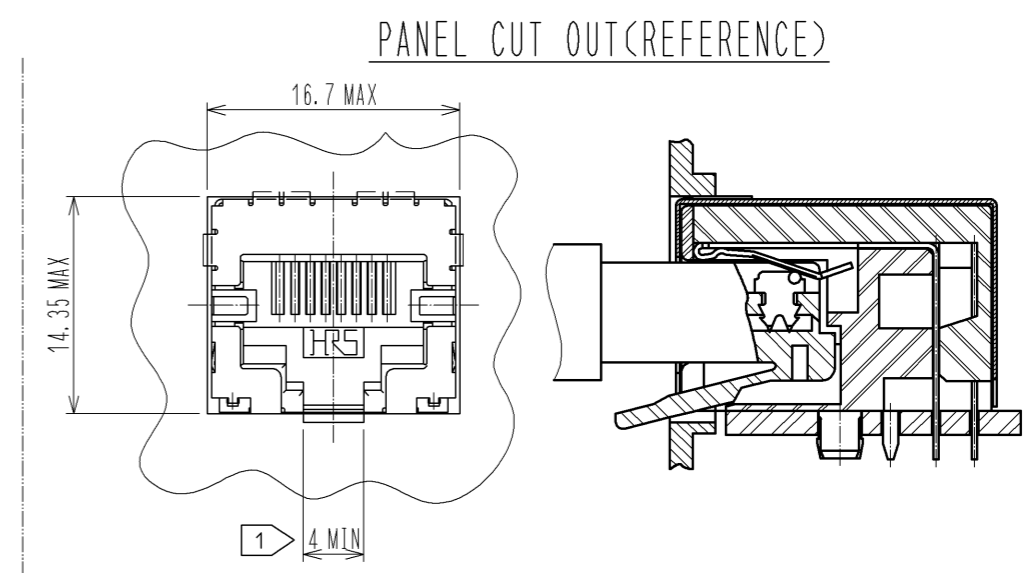
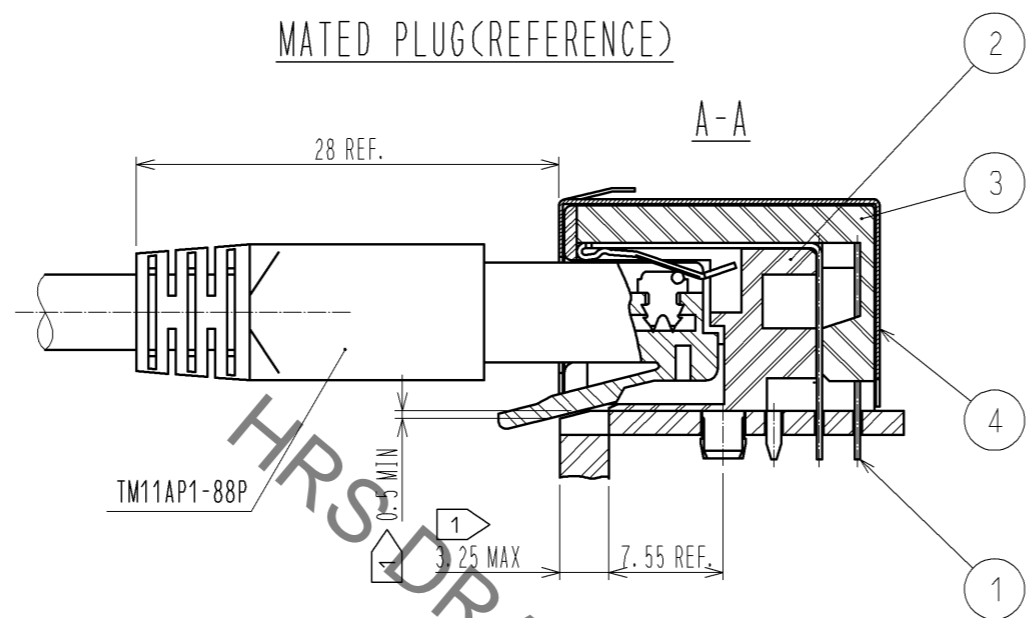
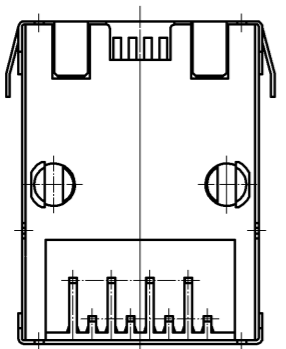
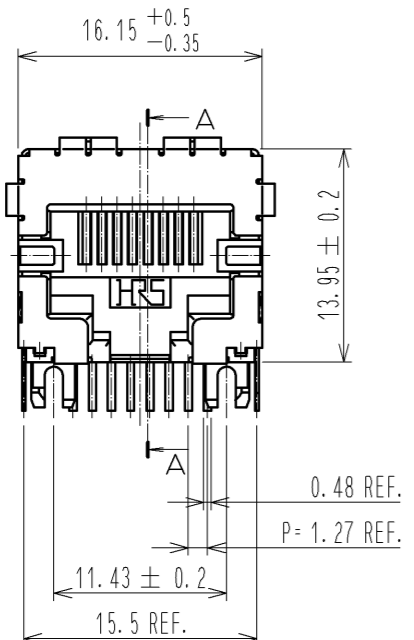
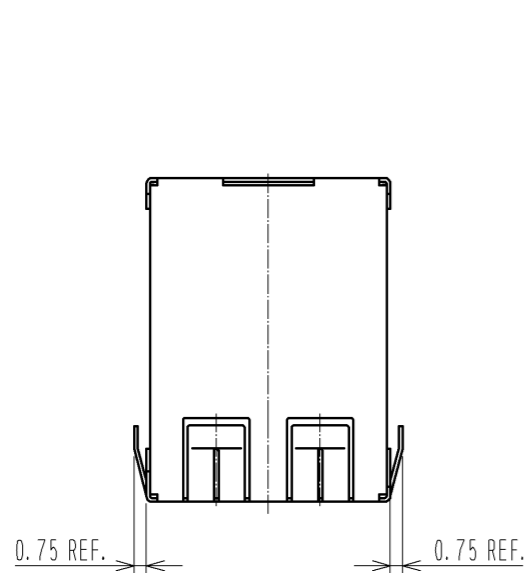
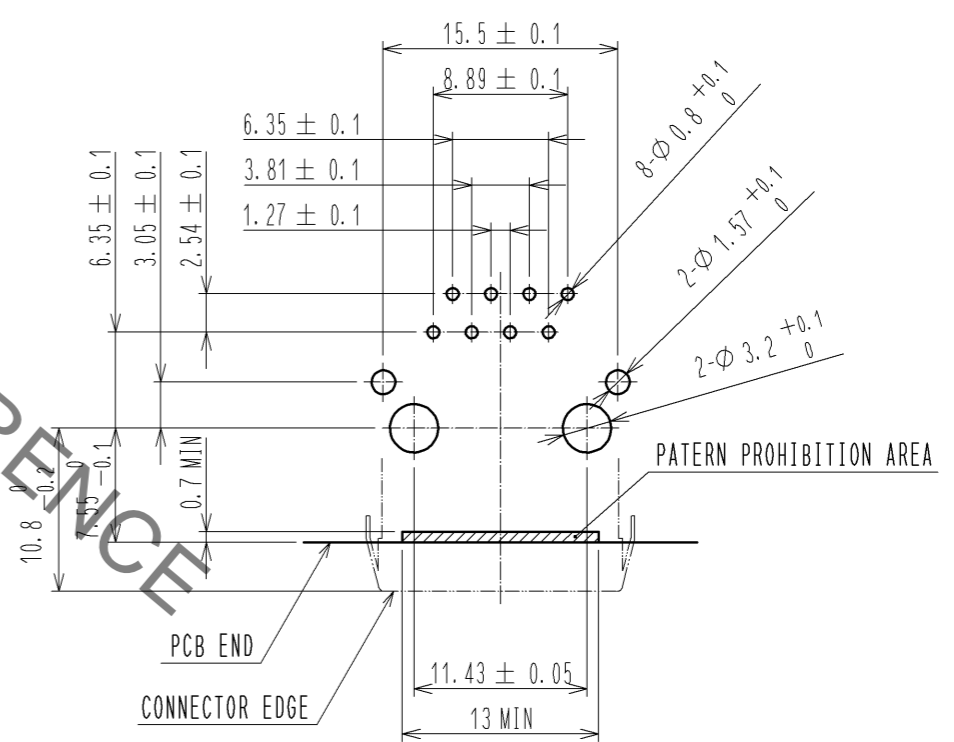


Sep.1.2020 Copyright 2020 HIROSE ELECTRIC CO., LTD. All Rights Reserved.
In case of consideration for using Automotive equipment / device which demand high reliability, kindly contact our sales window correspondents.



PCB PATTERN(REFERENCE)
MOUNTING SIDE(±1.6)



NOTE 1 NOTCH IN ACCORDANCE WITH THE DIMENSION FOR PLUG LOCK LEVER SPACE WHEN MANUFACTURING PANEL.

1	PHOSPHOR BRONZE	CONTACT: GOLD PLATING 1.27#m MIN LEAD : TIN REFLOW PLATING 1#m MIN UNDER : NICKEL PLATING 1#m MIN	4	BRASS	TIN REFLOW PLATING 1#m MIN		
			3	PBT	BLACK, UL94V-0		
			2	PBT	BLACK, UL94V-0		
NO.	MATERIAL	FINISH, REMARKS	NO.	MATERIAL	FINISH, REMARKS		
UNITS mm		SCALE 2:1	COUNT 	DESCRIPTION OF REVISIONS	DESIGNED	CHECKED	DATE
HRS HIROSE ELECTRIC CO., LTD.		APPROVED : RI. TAKAYASU	11.05.31	DRAWING NO.	EDC3-121543-01		
		CHECKED : YH. ENAMI	11.05.31	PART NO.	TM11R-5N2-88(50)		
		DESIGNED : MT. ITANO	11.05.31	CODE NO.	CL222-3952-5-50		
		DRAWN : MT. ITANO	11.05.31				