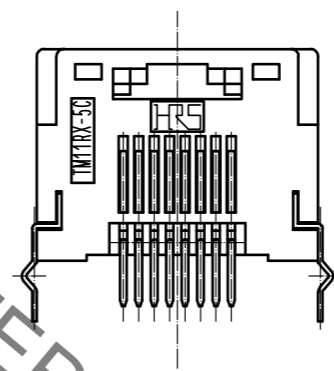
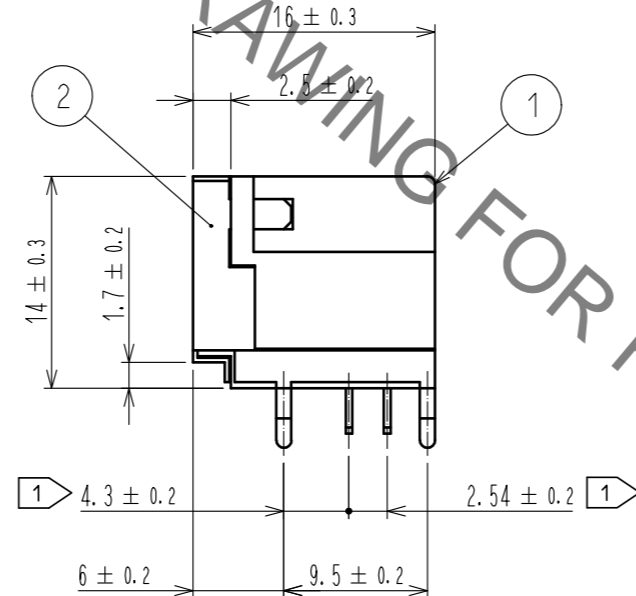
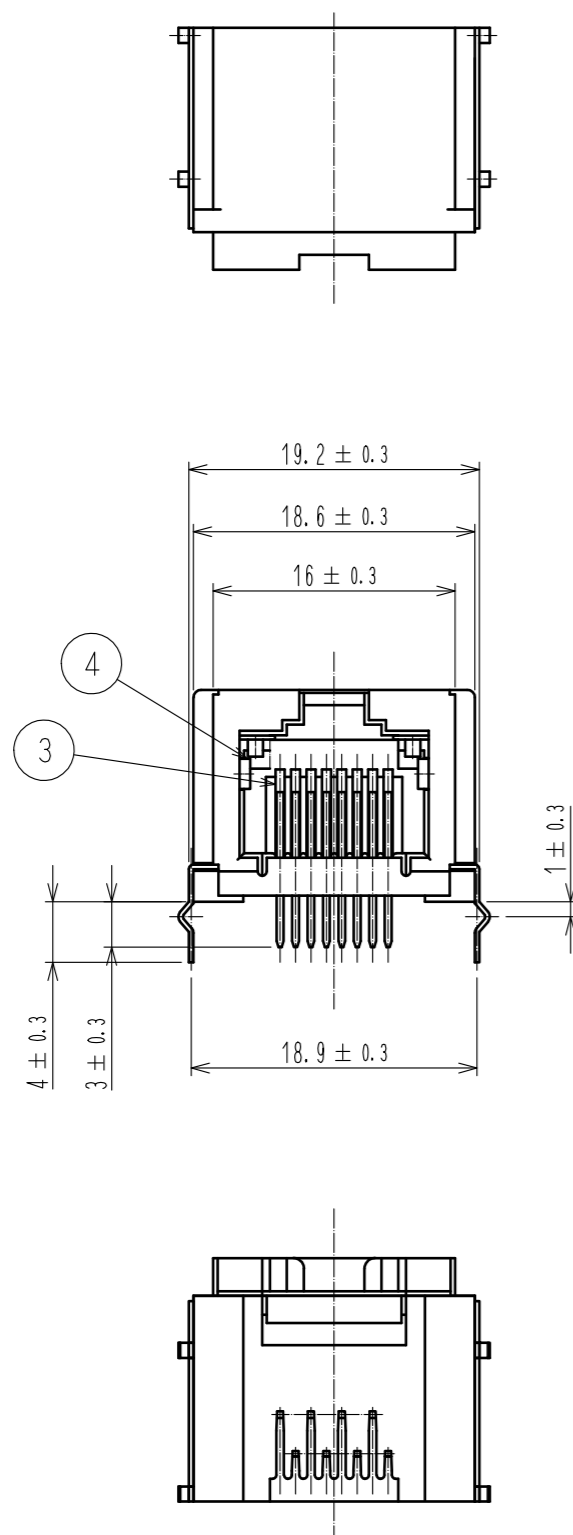
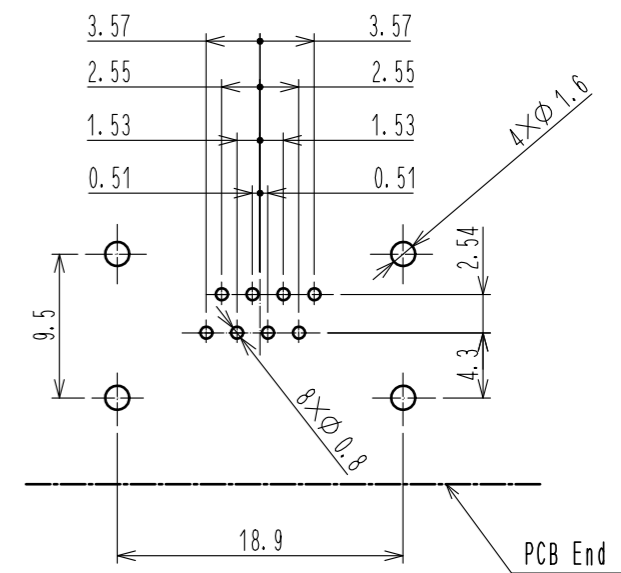


Oct.1.2020 Copyright 2020 HIROSE ELECTRIC CO., LTD. All Rights Reserved.
 In case of consideration for using Automotive equipment / device which demand high reliability, kindly contact our sales window correspondents.



PC board pattern
 (Connector mounting side)



HRS DRAWING FOR REFERENCE

Note 1 Dimensions indicates the root part the contact.

2	Brass	Over : Tin plating 1μm min. Under : Nickel plating 1μm min.	4	Phosphor bronze	Over : Tin plating 1μm min. Under : Nickel plating 1μm min.			
1	PBT	Black . UL94V-0	3	Phosphor bronze	Contact area : Gold plating 1.27μm min. Lead : Gold plating 0.03μm min. Under : Nickel plating 1.27μm min.			
NO.	MATERIAL	FINISH . REMARKS	NO.	MATERIAL	FINISH . REMARKS			
UNITS		SCALE	COUNT	DESCRIPTION OF REVISIONS		DESIGNED	CHECKED	DATE
mm		2 : 1						
HRS HIROSE ELECTRIC CO., LTD.		APPROVED : RI. TAKAYASU	18.06.12	DRAWING NO. EDC-047291-50-01				
		CHECKED : RI. TAKAYASU	18.06.12	PART NO. TM11RX-5C-88(50)				
		DESIGNED : MO. SHIMOYAMA	18.06.12	CODE NO. CL222-5133-5-50				
		DRAWN : SJ. SATO	18.06.12					