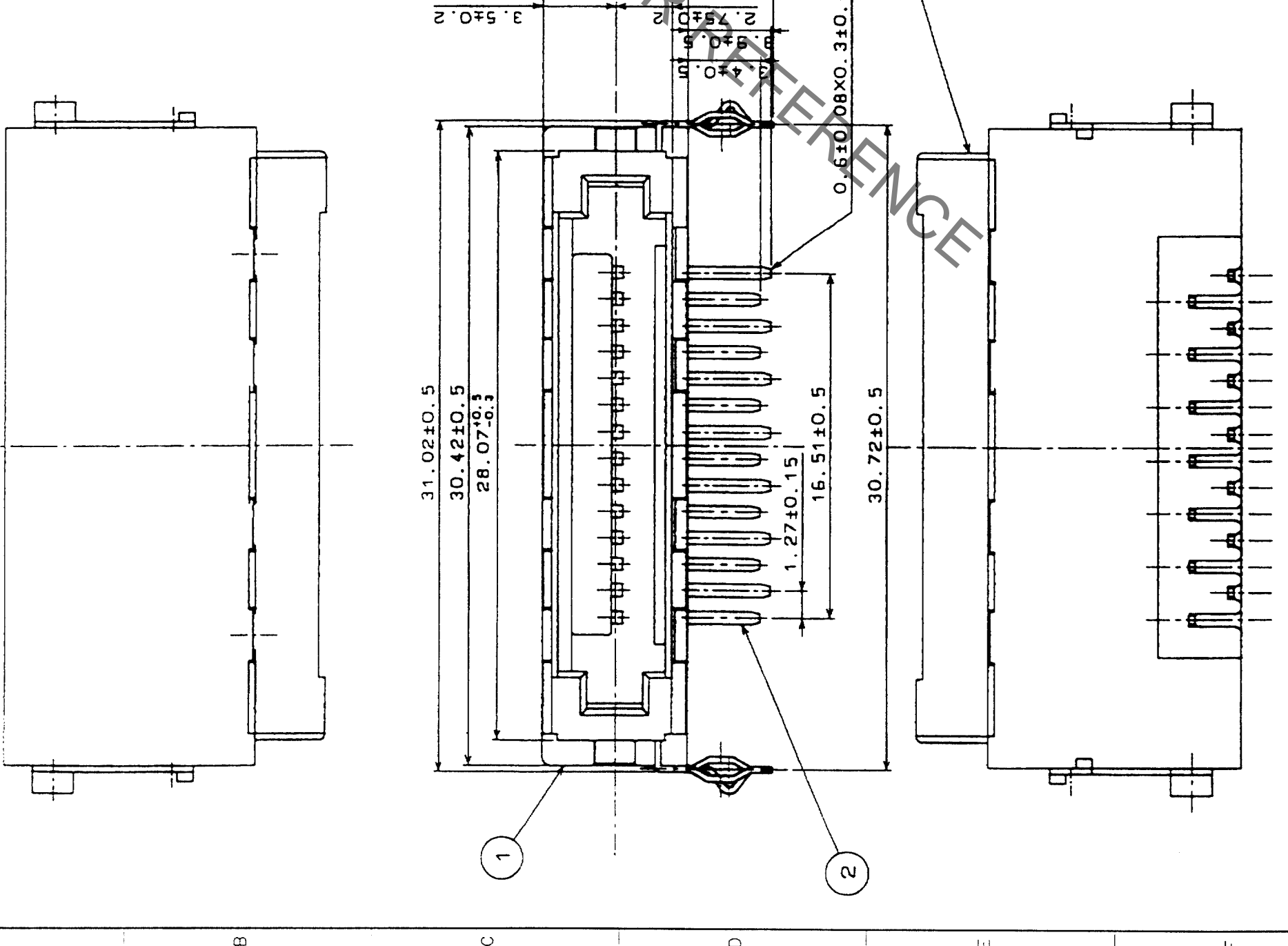
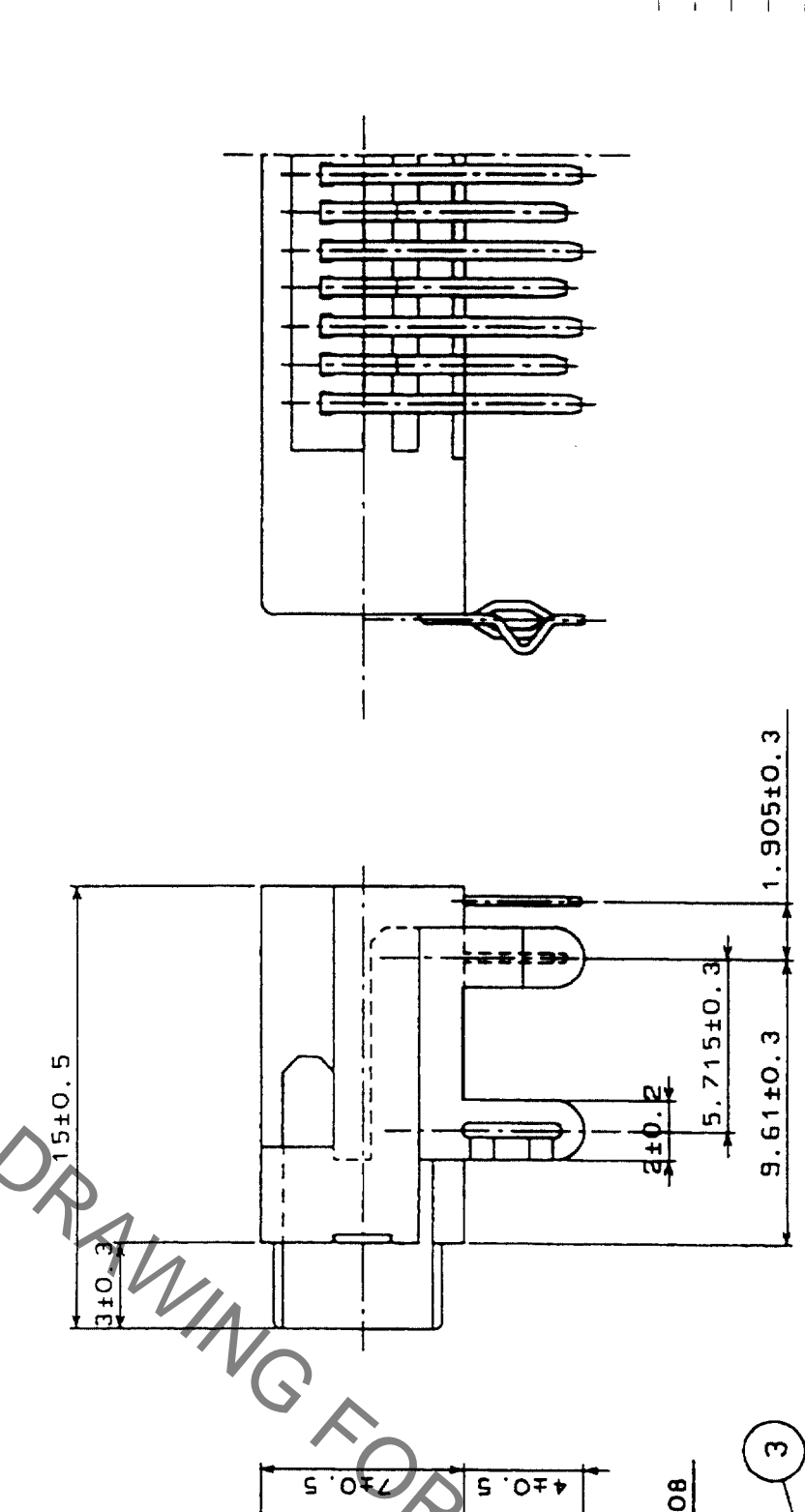
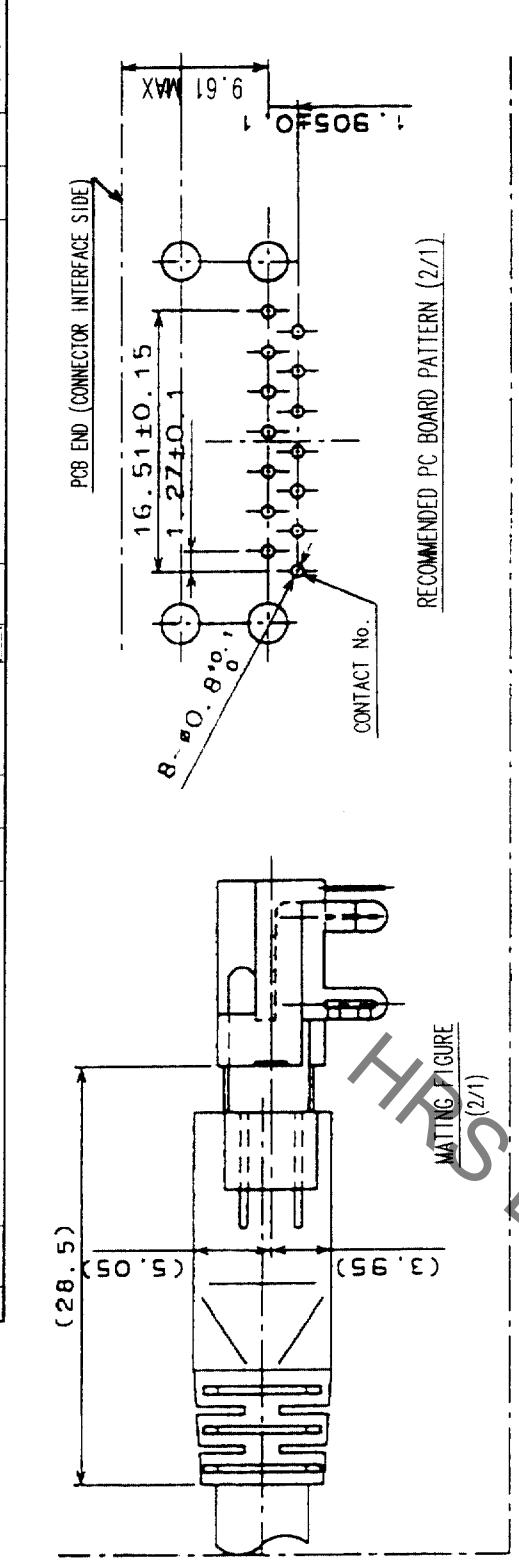


Oct.1.2019 Copyright 2019 HIROSE ELECTRIC CO., LTD. All Rights Reserved.
 In case of consideration for using Automotive equipment / device which demand high reliability, kindly contact our sales window correspondents.

COUNT	DESCRIPTION OF REVISIONS	BY	CHKD	DATE	COUNT	DESCRIPTION OF REVISIONS	BY	CHKD	DATE



NO.	PHOSPHOR BRONZE	SELECTIVE GOLD PLATING 0.2±m	NO.	PHOSPHOR BRONZE	TIN PLATING
2	PHOSPHOR BRONZE	SELECTIVE GOLD PLATING 0.2±m	3	PHOSPHOR BRONZE	TIN PLATING
1	PBT	UL94V-0(BLACK)			
NO.	MATERIAL	FINISH, REMARKS	NO.	MATERIAL	FINISH, REMARKS
CODE NO. (OLD)	CL		DRAWN	DESIGNED	CHECKED
			03.12.10	03.12.10	03.12.11
			Mitsunobu (Mitsunobu)		
			03.12.10	03.12.10	03.12.12
			PART NO. 3110-14SB(50)		
			DRAWING NO. EDC3-042380-01		
			CODE NO. CL231-0021-5-50		
			UNITS		
			SCALE 4:1		
			HIROSE ELECTRIC CO., LTD		
			FORM NO. 229		

TO	
Q	