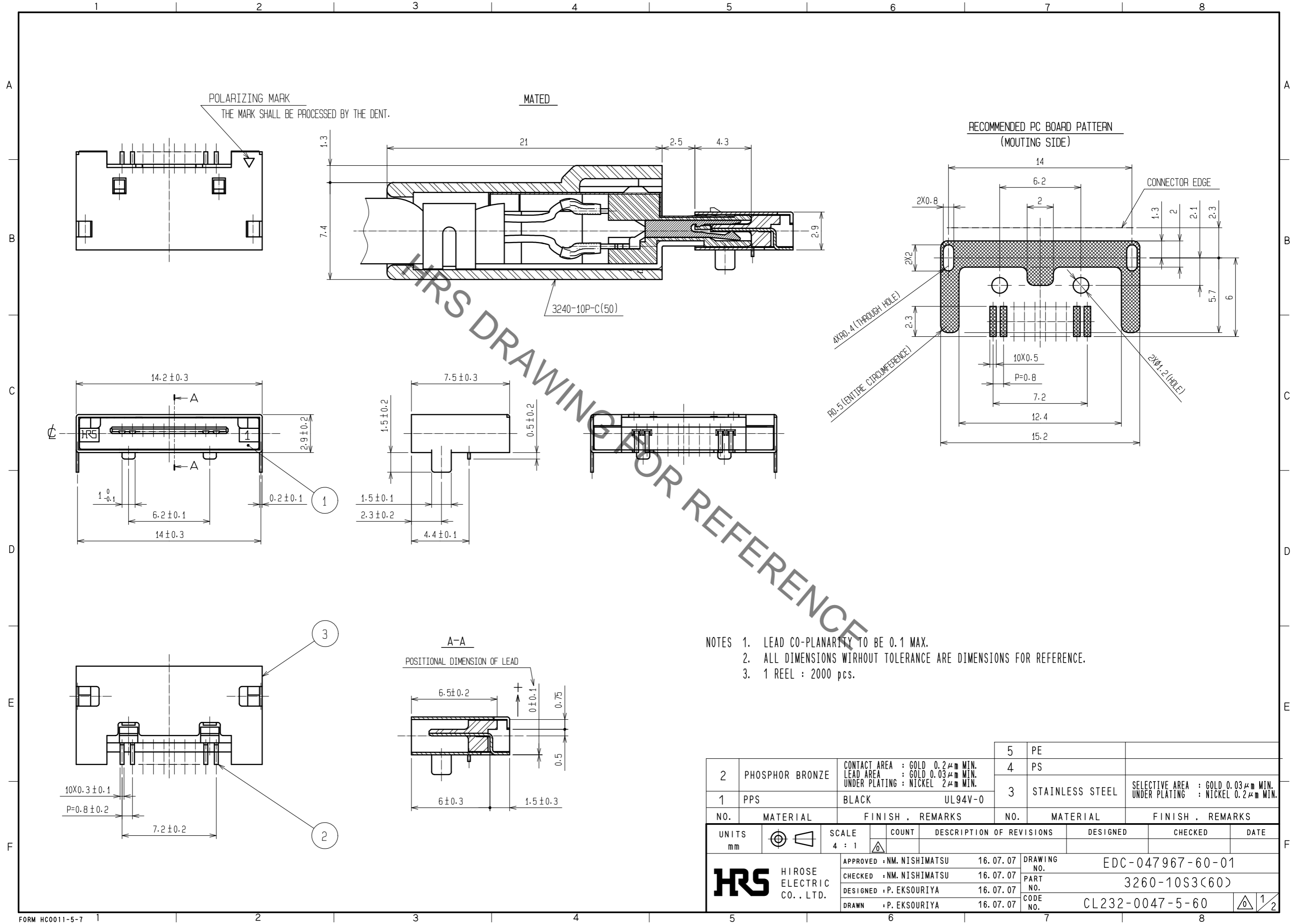
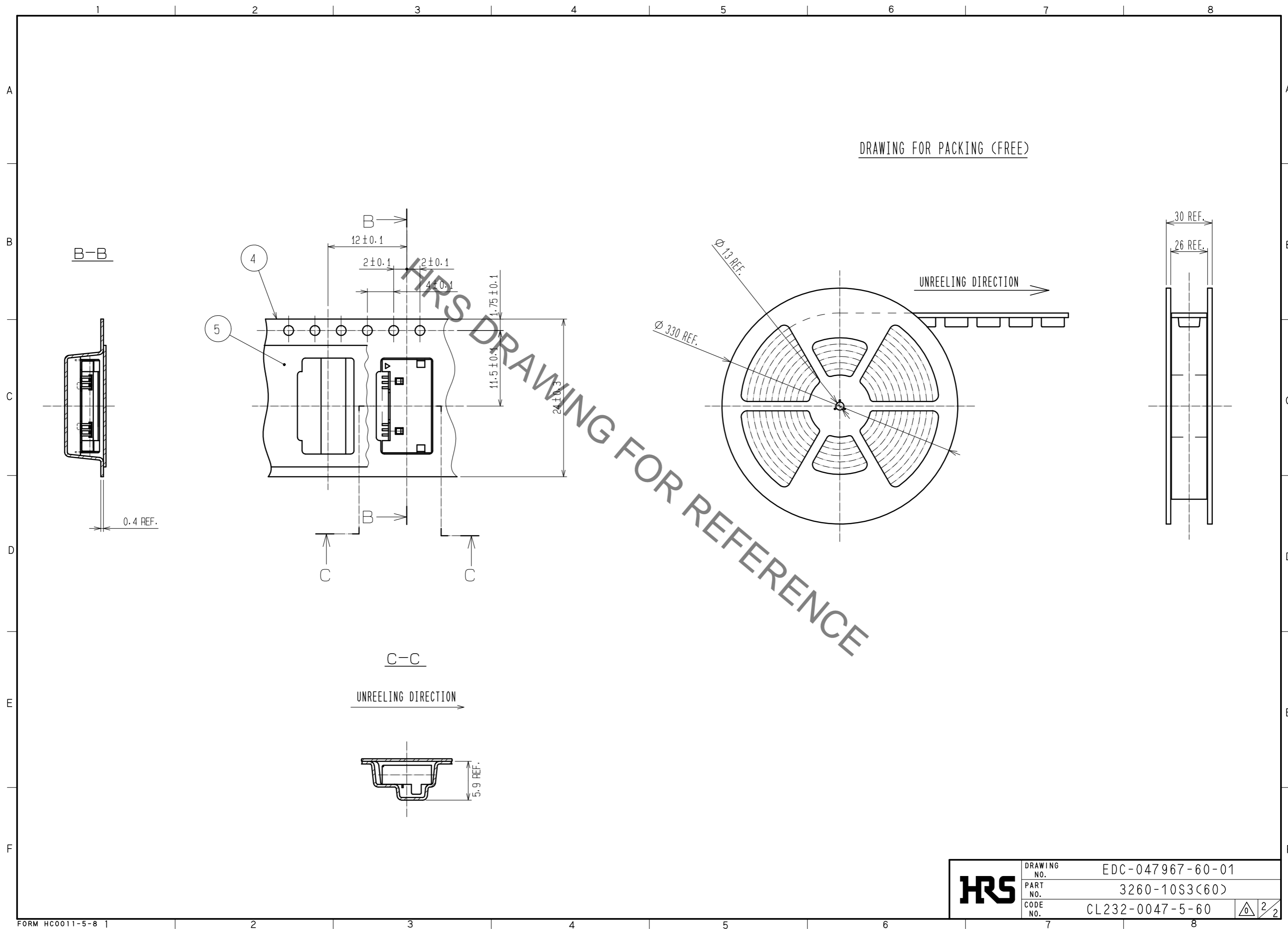


Oct.1.2019 Copyright 2019 HIROSE ELECTRIC CO., LTD. All Rights Reserved.  
In case of consideration for using Automotive equipment / device which demand high reliability, kindly contact our sales window correspondents.



2	PHOSPHOR BRONZE	CONTACT AREA : GOLD 0.2μm MIN. LEAD AREA : GOLD 0.03μm MIN. UNDER PLATING : NICKEL 2μm MIN.	5	PE				
1	PPS	BLACK UL94V-0	4	PS				
			3	STAINLESS STEEL	SELECTIVE AREA : GOLD 0.03μm MIN. UNDER PLATING : NICKEL 0.2μm MIN.			
NO.	MATERIAL	FINISH . REMARKS	NO.	MATERIAL	FINISH . REMARKS			
UNITS	mm	SCALE	4 : 1	COUNT	DESCRIPTION OF REVISIONS	DESIGNED	CHECKED	DATE
<b>HRS</b> HIROSE ELECTRIC CO., LTD.		APPROVED : NM. NISHIMATSU	16.07.07	DRAWING NO.	EDC-047967-60-01			
		CHECKED : NM. NISHIMATSU	16.07.07	PART NO.	3260-10S3(60)			
		DESIGNED : P. EKSOURIYA	16.07.07	CODE NO.	CL232-0047-5-60			
		DRAWN : P. EKSOURIYA	16.07.07		1/2			

Oct. 1.2019 Copyright 2019 HIROSE ELECTRIC CO., LTD. All Rights Reserved.  
In case of consideration for using Automotive equipment / device which demand high reliability, kindly contact our sales window correspondents.



<b>HRS</b>	DRAWING NO.	EDC-047967-60-01
	PART NO.	3260-10S3(60)
	CODE NO.	CL232-0047-5-60
		2/2