

Dec.1.2019 Copyright 2019 HIROSE ELECTRIC CO., LTD. All Rights Reserved.  
 In case of consideration for using Automotive equipment / device which demand high reliability, kindly contact our sales window correspondents.

COUNT	DESCRIPTION OF REVISIONS	BY	CHKD	DATE	COUNT	DESCRIPTION OF REVISIONS	BY	CHKD	DATE
△					△				
△					△				
△					△				

① RECOMMENDED PC BOARD PATTERN  
 (MOUNTING SIDE)

\* TH: THROUGH-HOLE

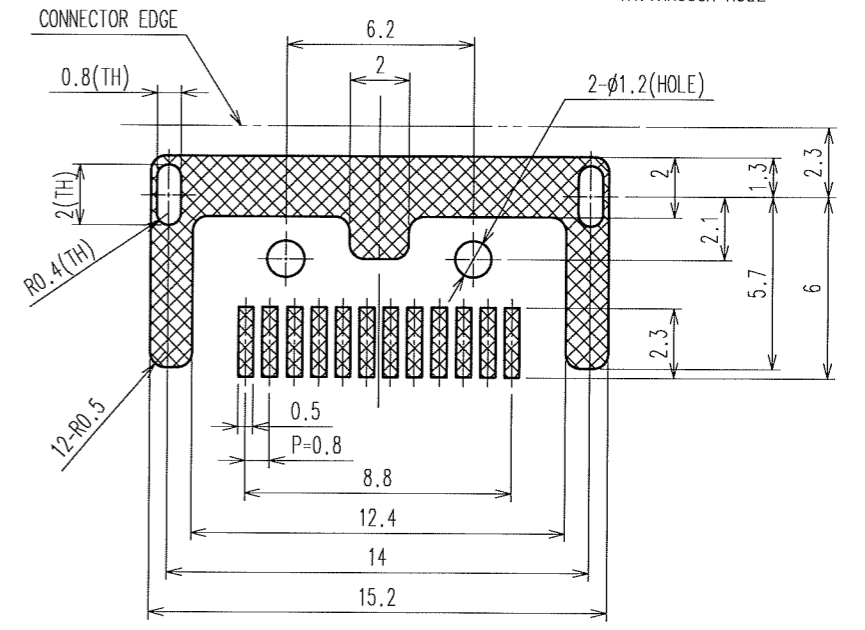
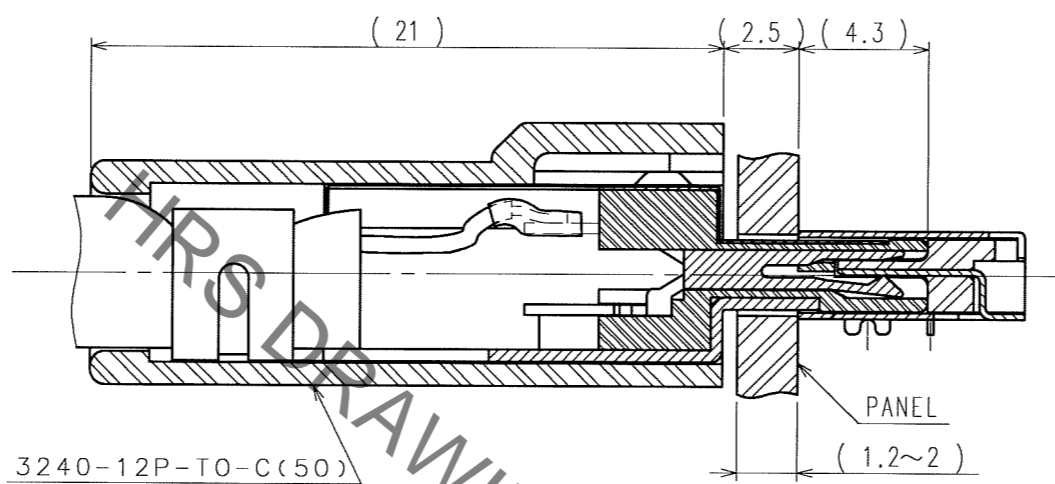
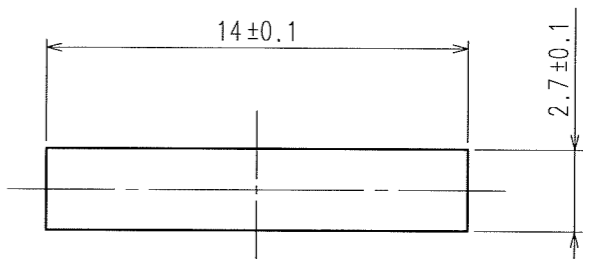


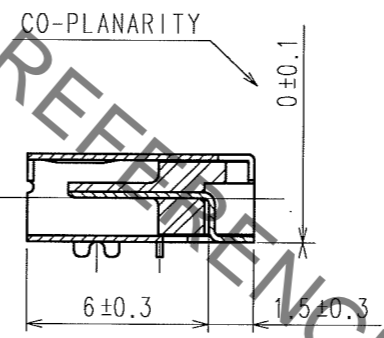
FIGURE OF MATING



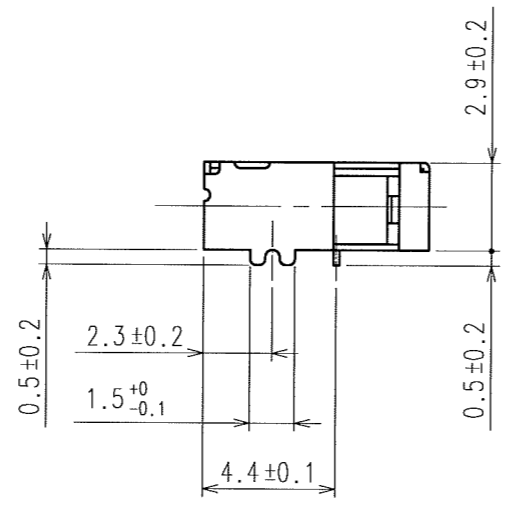
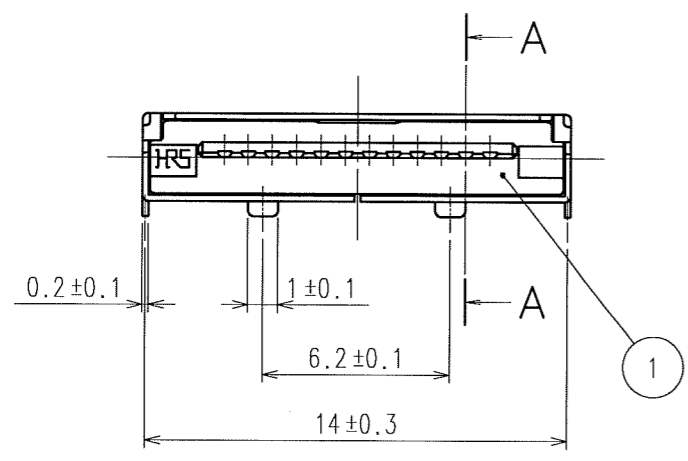
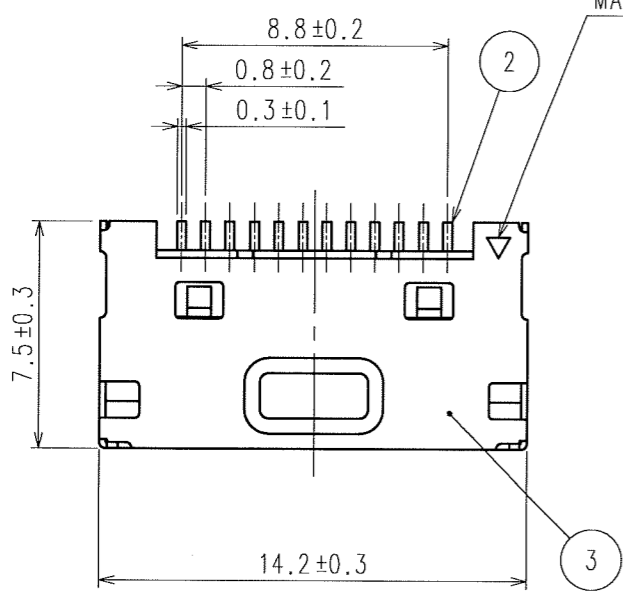
PANEL CUTOUT



A-A



POLARIZING MARK



- NOTE ① ALL DIMENSIONS WITHOUT TOLERANCE ARE DIMENSIONS FOR REFERENCE.
- ② PLATING  
 CONTACT AREA GOLD 0.2μ m min.  
 LEAD AREA GOLD 0.03μ m min.  
 UNDER PLATING NICKEL 2μ m min.
- ③ PLATING  
 TOP AREA (OUT-SIDE ONLY) GOLD 0.03μ m min.  
 UNDER PLATING NICKEL 0.2μ m min.

NO.	MATERIAL	FINISH, REMARKS	NO.	MATERIAL	FINISH, REMARKS
2	PHOSPHOR BRONZE	②	5	PET	
1	PPS	(BLACK) UL94V-0	4	PS	
			3	STAINLESS STEEL	③

CODE NO. (OLD)	DRAWN	DESIGNED	CHECKED	APPROVED	RELEASED
	E. Wakiyama	T. Kikuchi	N. Miyazaki	[Signature]	
	'06.12.13	'06.12.13	'06.12.13	'06.12.13	

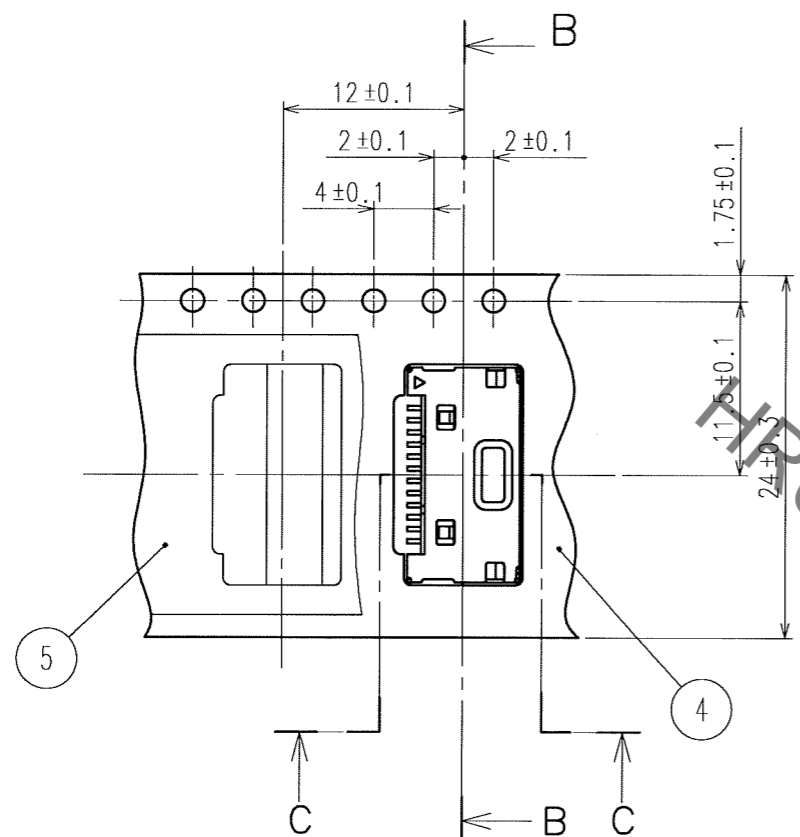
  

SCALE	DRAWING NO.	PART NO.
4 : 1	EDC3-120857-02	3260B-12S1(55)
UNITS	HIROSE ELECTRIC CO., LTD	CODE NO.
mm		CL232-0089-5-55

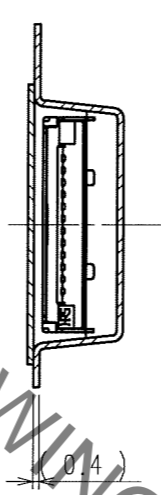
TO

Dec.1.2019 Copyright 2019 HIROSE ELECTRIC CO., LTD. All Rights Reserved.  
 In case of consideration for using Automotive equipment / device which demand high reliability, kindly contact our sales window correspondents.

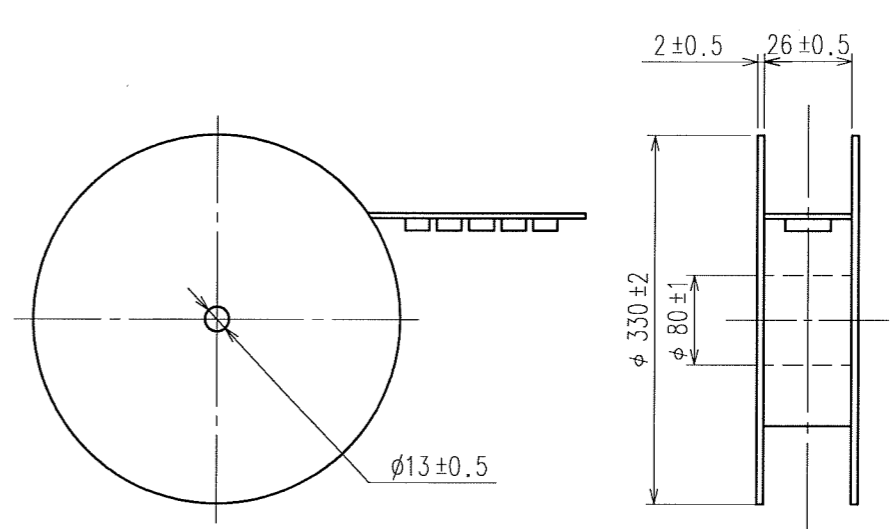
COUNT	DESCRIPTION OF REVISIONS	BY	CHKD	DATE	COUNT	DESCRIPTION OF REVISIONS	BY	CHKD	DATE
△					△				
△					△				
△					△				



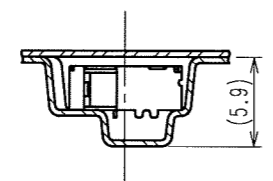
B-B



STYLE AND DIMENTION OF REEL (FREE)



C-C



DIRECTION OF UNREELING  
 →

HRS DRAWING FOR REFERENCE

NOTE 4. 1000 PIECES PER REEL.

TO

NO.	MATERIAL	FINISH, REMARKS	NO.	MATERIAL	FINISH, REMARKS
CODE NO. (OLD)			DRAWN	DESIGNED	CHECKED
			<i>E. Wakikawa</i>	<i>H. Kachi</i>	<i>N. Miyajima</i>
			06.12.13	06.12.13	06.12.13
			APPROVED	RELEASED	
			<i>[Signature]</i>		
			06.12.13		
DRAWING NO.			PART NO.		
EDC3-120857-02			3260B-12S1(55)		
SCALE			CODE NO.		
2 : 1			CL232-0089-5-55		
UNITS			2/2		
mm			HRS HIROSE ELECTRIC CO., LTD		