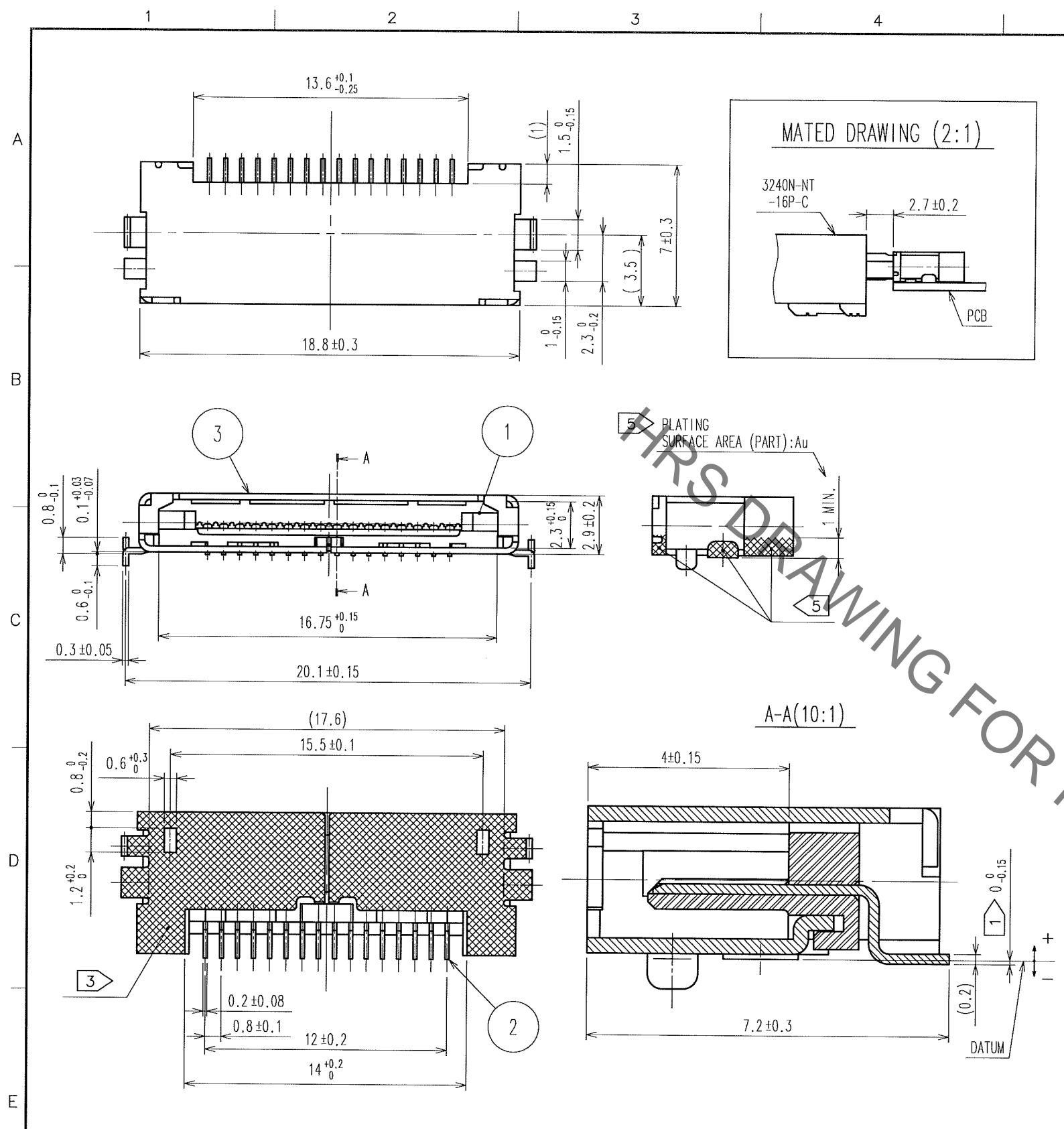
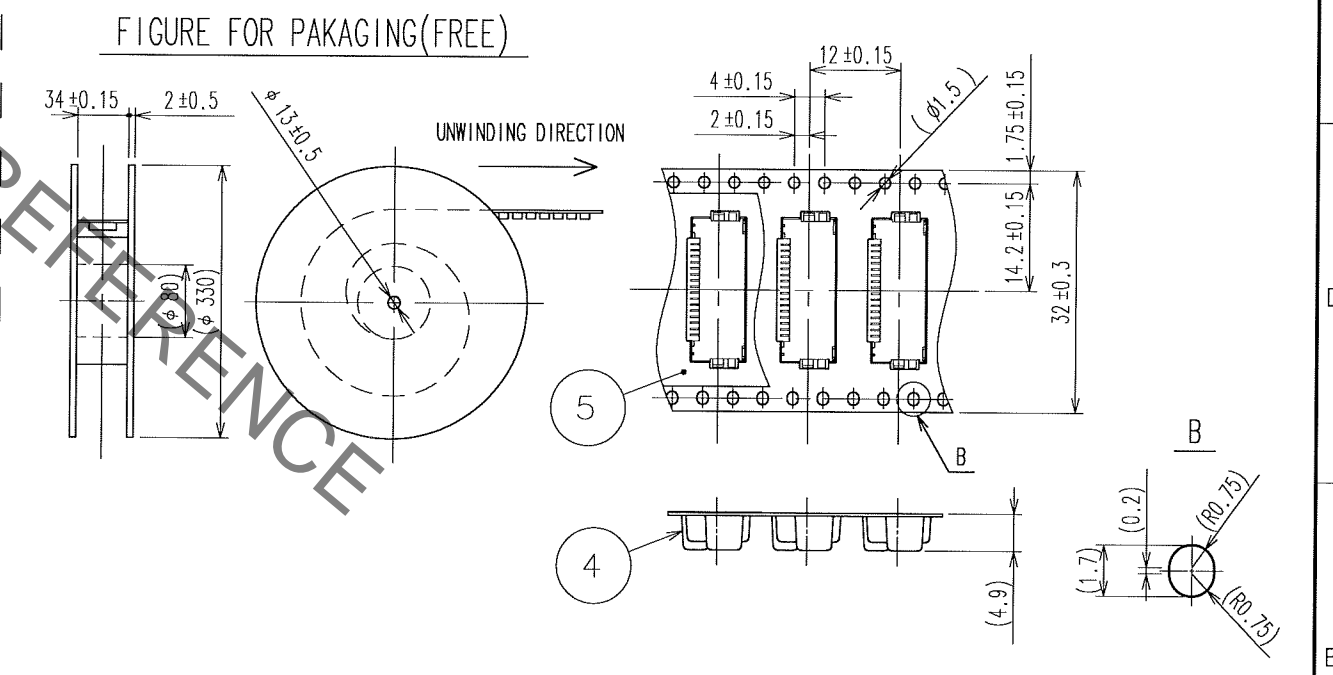
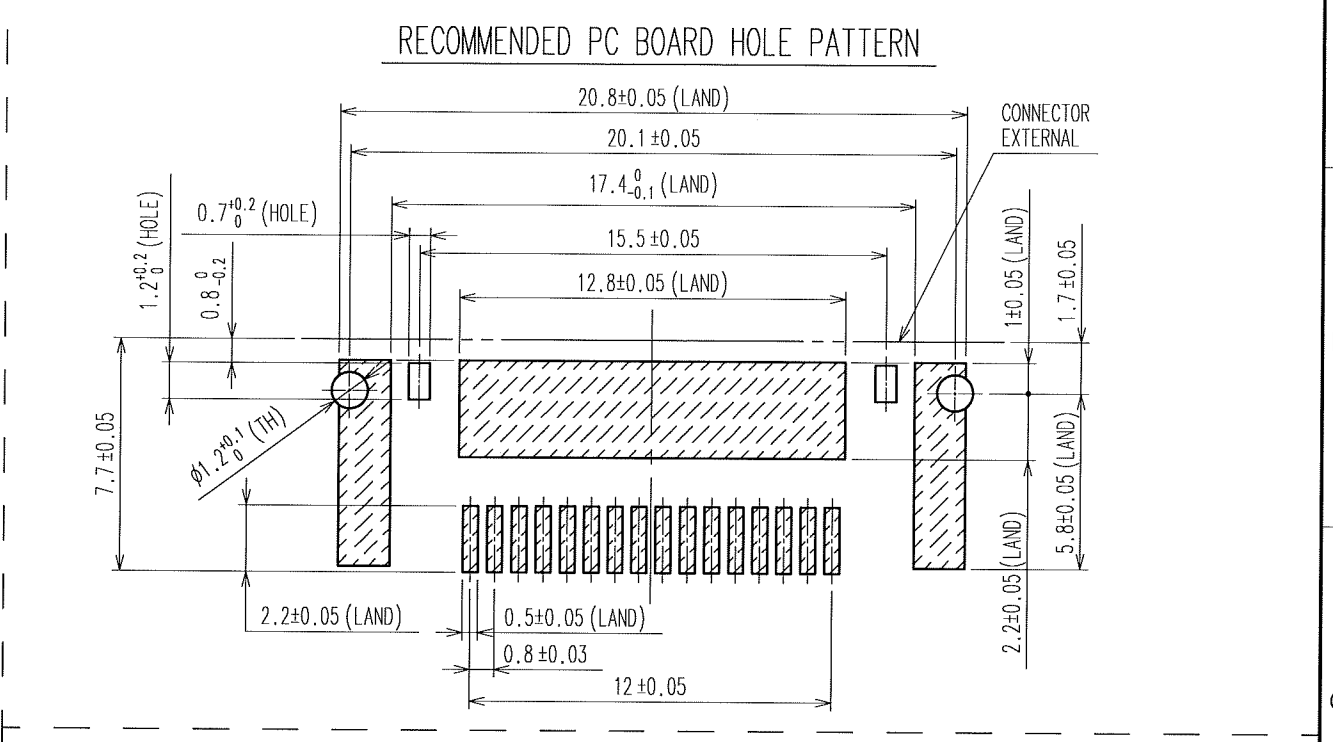


Dec.1.2019 Copyright 2019 HIROSE ELECTRIC CO., LTD. All Rights Reserved.
In case of consideration for using Automotive equipment / device which demand high reliability, kindly contact our sales window correspondents.



COUNT	DESCRIPTION OF REVISIONS	BY	CHKD	DATE	COUNT	DESCRIPTION OF REVISIONS	BY	CHKD	DATE



- NOTES
- 1 DIMENSIONS OF SMT RANGE FROM DATUM : 0~-0.15.
LEAD CO-PLANARITY : 0.1 max.
 - 2. THIS PRODUCT SHALL BE PROTECTED BY THE CASE OF EQUIPMENT.
 - 3. 1REEL:1000 PIECES.

- 4 PLATING CONTACT AREA PALLADIUM-NICKEL 0.75μ m min.
+GOLD 0.05μ m min.
LEAD AREA GOLD 0.03μ m min.
UNDER PLATING NICKEL 2μ m min.
- 5 PLATING SURFACE AREA (PART) GOLD 0.03μ m min.
UNDER PLATING NICKEL 1μ m min.

2	PHOSPHOR BRONZE	4	PS			
1	PPS	COLOR BLACK , UL94V-0	3	STAINLESS STEEL	5	
NO.	MATERIAL	FINISH, REMARKS	NO.	MATERIAL	FINISH, REMARKS	
CODE NO. (OLD) CL	DRAWN H. Kikuchi '06.11.09		DESIGNED H. Kikuchi '06.11.09	CHECKED M. Mizoguchi '06.11.09	APPROVED [Signature] '06.11.09	RELEASED
SCALE 4 : 1	DRAWING NO. EDC3-120907-02		PART NO. 3260N-16SR(55)			
UNITS mm	HIROSE ELECTRIC CO., LTD		CODE NO. CL232-0094-5-55		1/1	