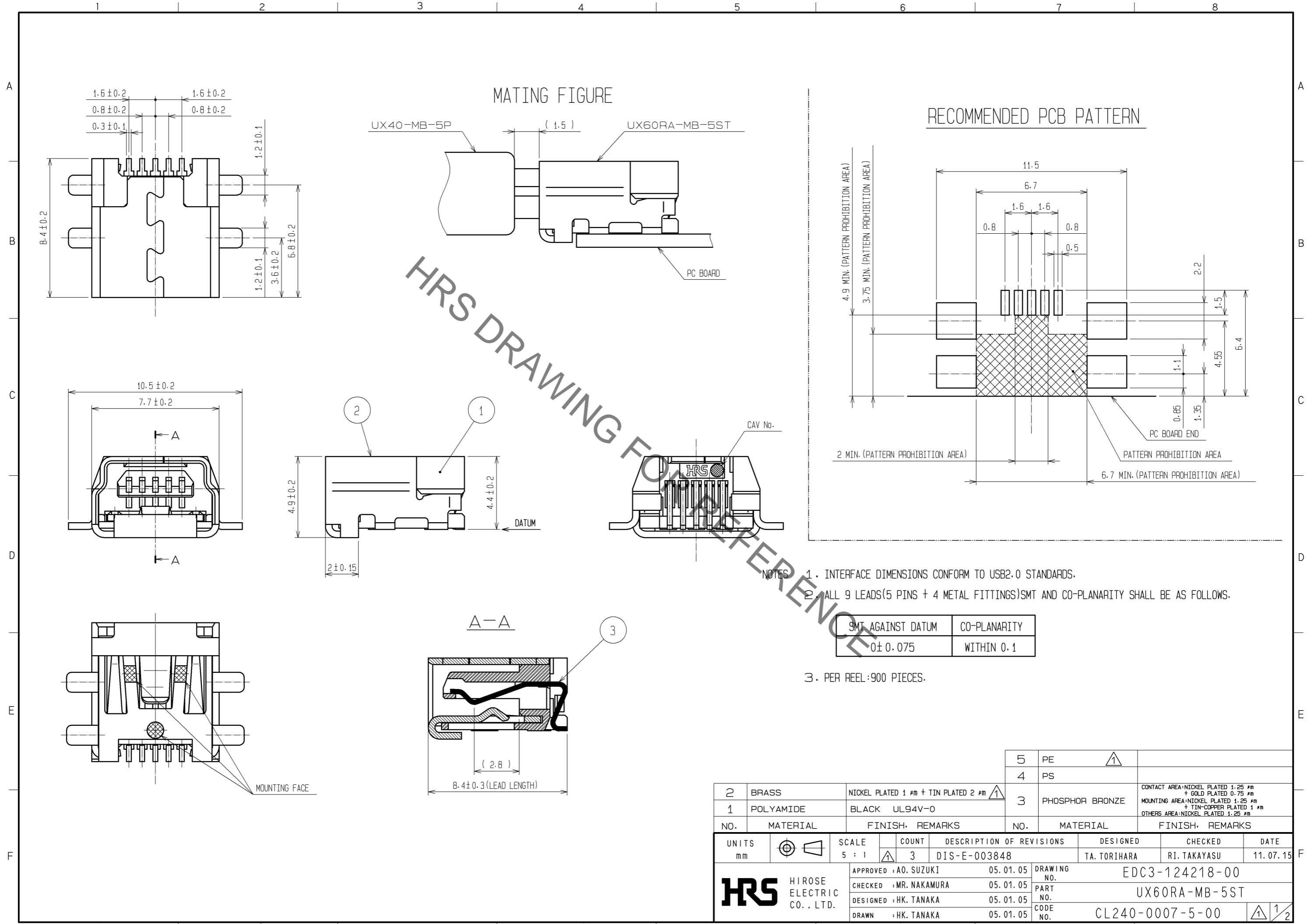


Nov.1.2020 Copyright 2020 HIROSE ELECTRIC CO., LTD. All Rights Reserved.
 In case of consideration for using Automotive equipment / device which demand high reliability, kindly contact our sales window correspondents.



NOTES 1. INTERFACE DIMENSIONS CONFORM TO USB2.0 STANDARDS.
 2. ALL 9 LEADS(5 PINS + 4 METAL FITTINGS)SMT AND CO-PLANARITY SHALL BE AS FOLLOWS.

SMT AGAINST DATUM	CO-PLANARITY
0±0.075	WITHIN 0.1

3. PER REEL:900 PIECES.

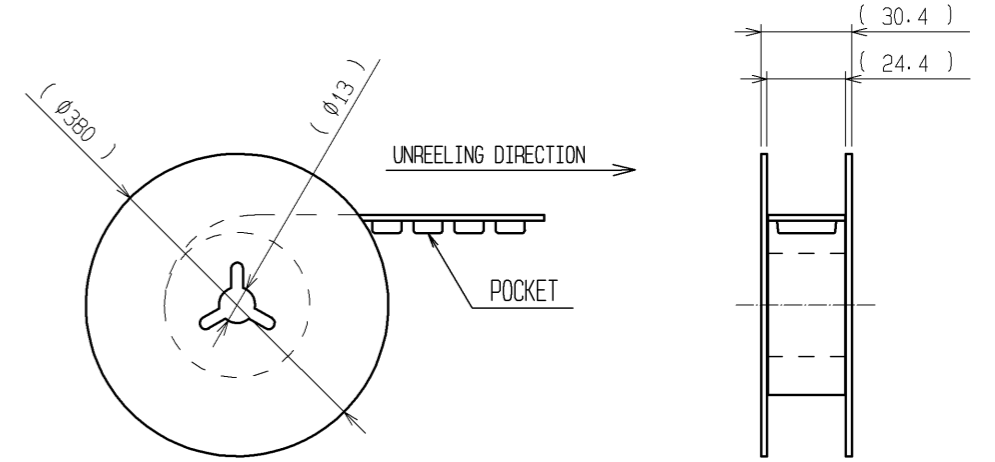
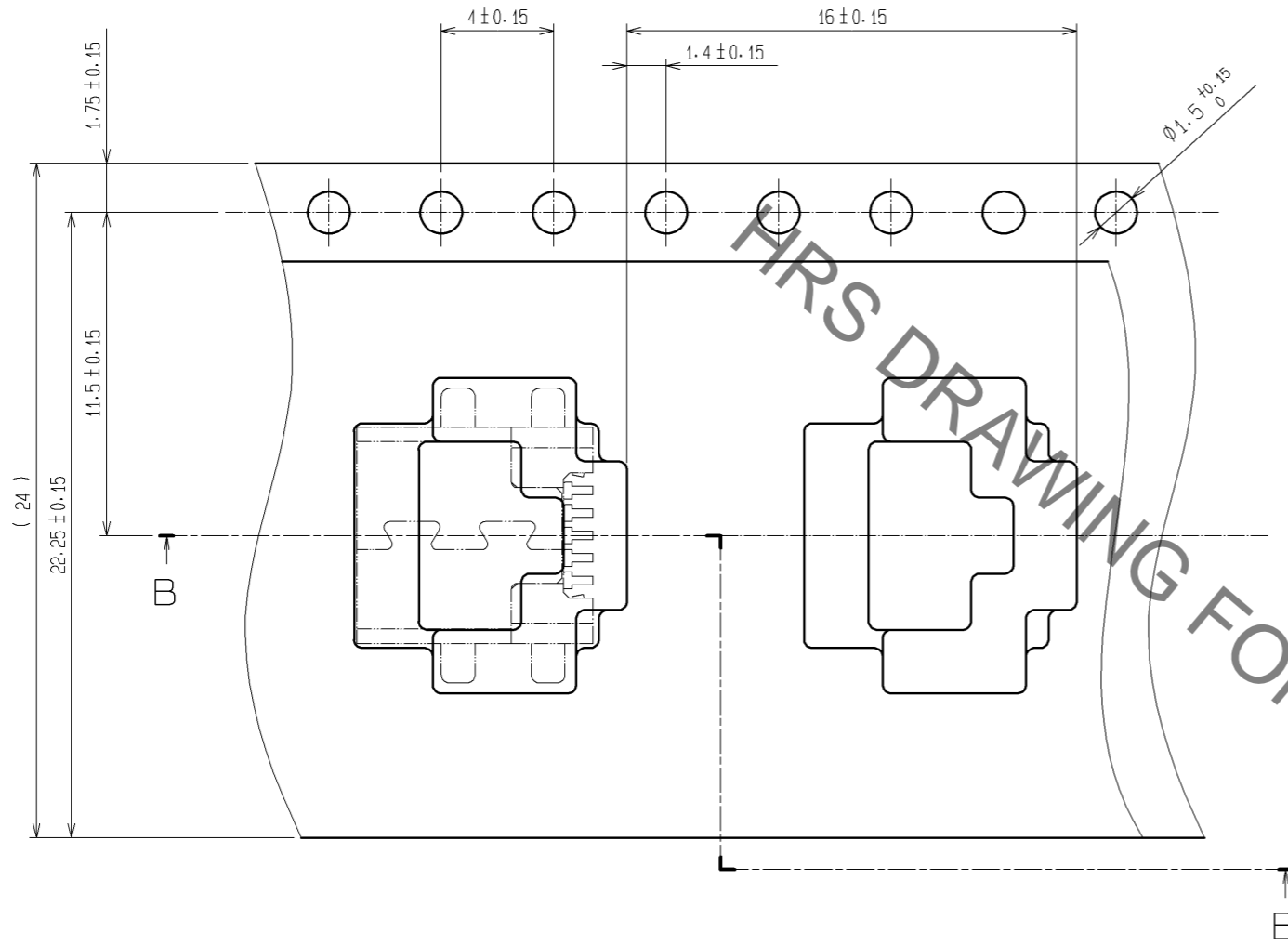
2	BRASS	NICKEL PLATED 1 μm + TIN PLATED 2 μm	1	PHOSPHOR BRONZE	CONTACT AREA:NICKEL PLATED 1.25 μm + GOLD PLATED 0.75 μm MOUNTING AREA:NICKEL PLATED 1.25 μm + TIN-COPPER PLATED 1 μm OTHERS AREA:NICKEL PLATED 1.25 μm
1	POLYAMIDE	BLACK UL94V-0	3		
NO.	MATERIAL	FINISH, REMARKS	NO.	MATERIAL	FINISH, REMARKS
UNITS	mm	SCALE	5 : 1	COUNT	3
DESCRIPTION OF REVISIONS			DESIGNED	TA. TORIHARA	CHECKED
DIS-E-003848			DATE	11.07.15	
APPROVED : A0. SUZUKI			05.01.05	DRAWING NO. EDC3-124218-00	
CHECKED : MR. NAKAMURA			05.01.05	PART NO. UX60RA-MB-5ST	
DESIGNED : HK. TANAKA			05.01.05	CODE NO. CL240-0007-5-00	
DRAWN : HK. TANAKA			05.01.05	1/2	

Nov.1.2020 Copyright 2020 HIROSE ELECTRIC CO., LTD. All Rights Reserved.
In case of consideration for using Automotive equipment / device which demand high reliability, kindly contact our sales window correspondents.

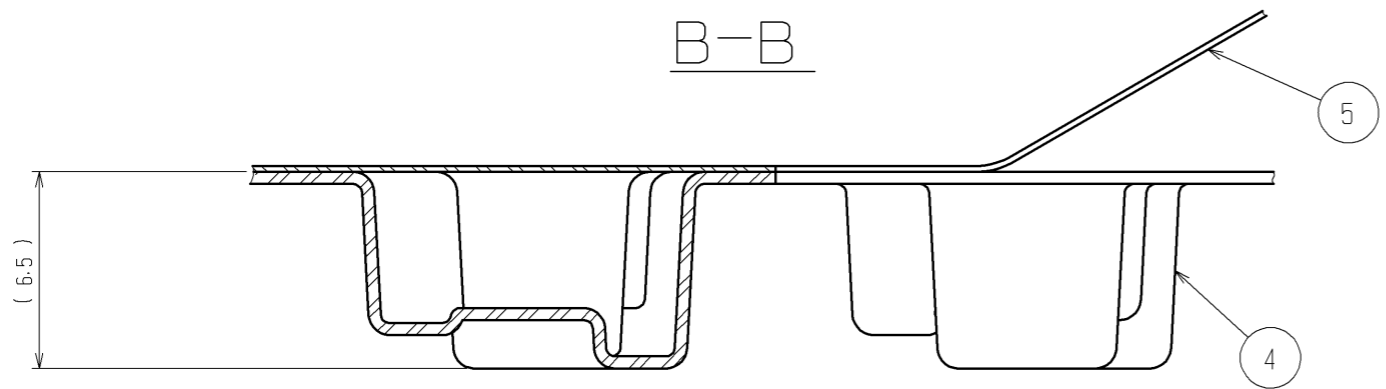
△ DRAWING FOR PACKING

UNREELING DIRECTION →

PACKAGING CONDITION(FREE)



B-B



HRS	DRAWING NO.	EDC3-124218-00
	PART NO.	UX60RA-MB-5ST
	CODE NO.	CL240-0007-5-00
		2/2