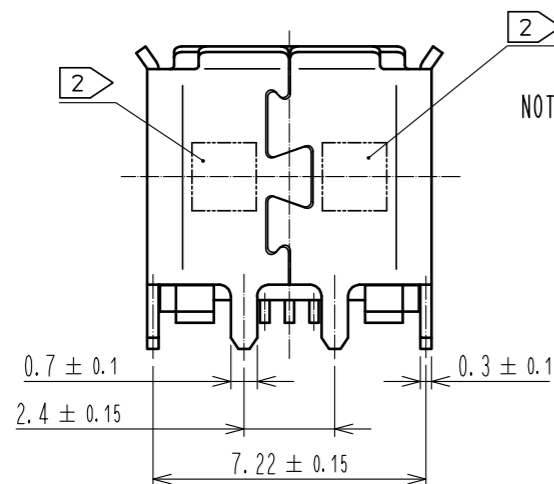
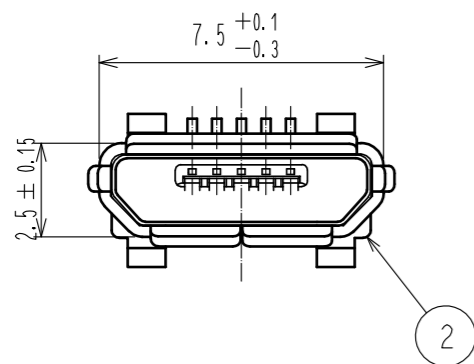
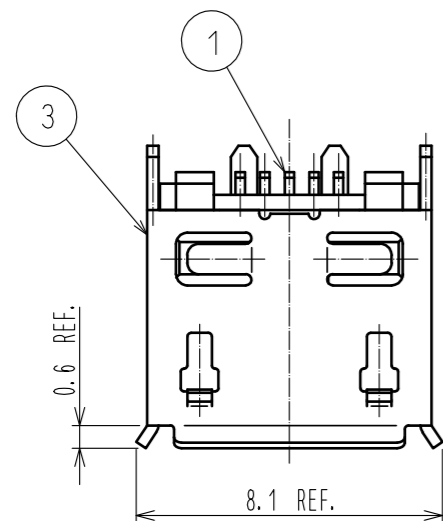


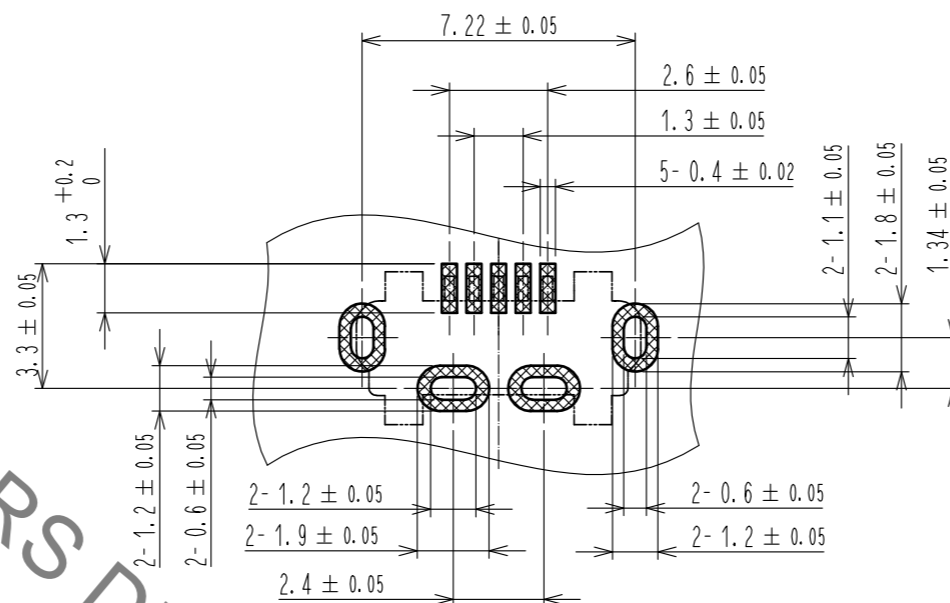
Sep.1.2021 Copyright 2021 HIROSE ELECTRIC CO., LTD. All Rights Reserved.
In case of consideration for using Automotive equipment / device which demand high reliability, kindly contact our sales window correspondents.



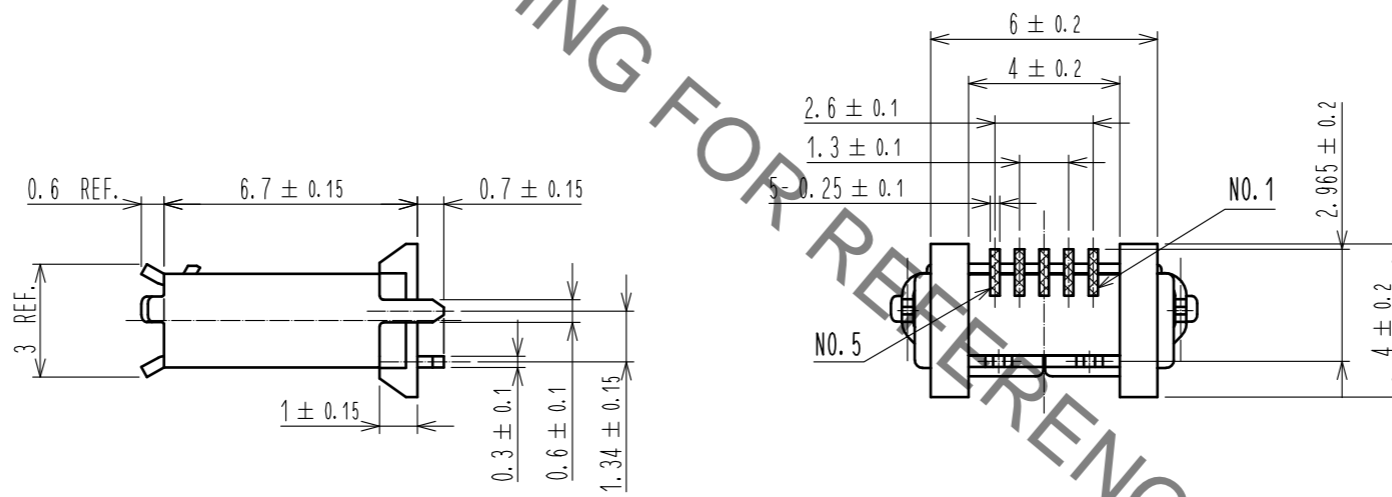
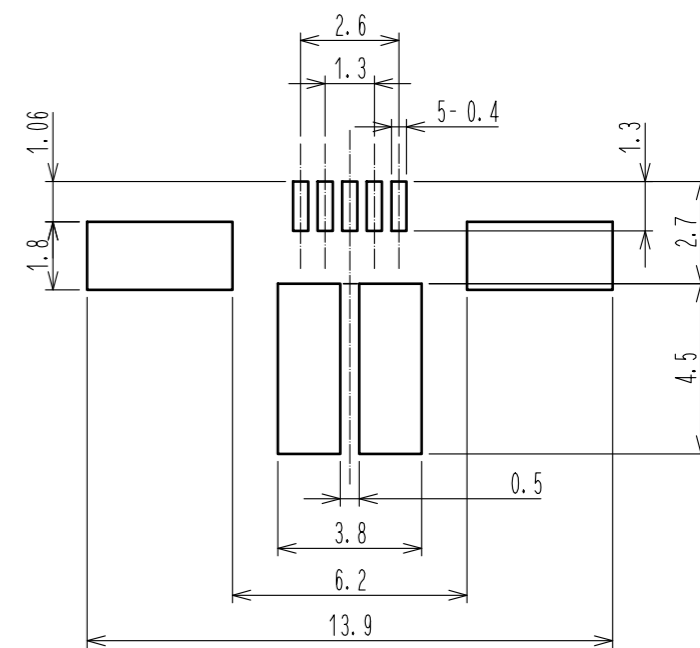
NOTE

- 1 CO-PLANARITY IS WITHIN 0.08.
- 2 LOT No. SHALL BE INDICATED AT THE POSITION AS SHOWN.
- 3 PLATING
CONTACT AREA : GOLD PLATE 0.75 μm MIN.
LEAD AREA : GOLD PLATE 0.05 μm MIN.
UNDER PLATING : NICKEL 2 μm MIN.
- 4 1 REEL: 400 pcs.
- 5 AS FOR PART No. 3, THE PERFORMANCE REMAINS GOOD EVEN IF THERE IS A RUBBING WOUND BY THE ASSEMBLY PROCESS. AND THE PERFORMANCE REMAINS GOOD EVEN IF THERE IS A DIFFERENCE OF THE COLOR OF PLATING WITH THE MANUFACTURING LOT.

PCB LAYOUT FOR REFERENCE (FREE)



METAL MASK FOR REFERENCE (FREE)
(THICKNESS:0.1mm)

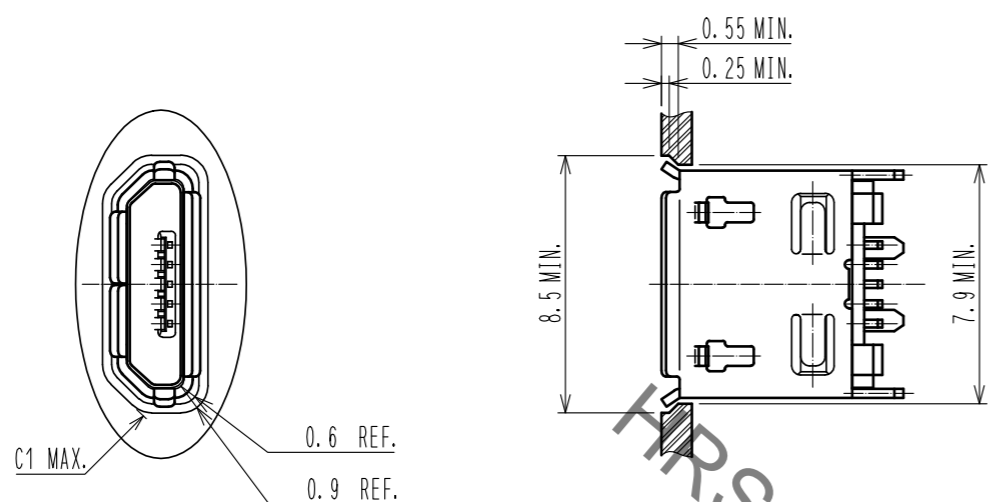


NO.	MATERIAL	FINISH . REMARKS	NO.	MATERIAL	FINISH . REMARKS
3	STAINLESS STEEL	UNDER PLATING: NICKEL 0.2 μm MIN. OVER PLATING : TIN 1μm MIN. LUBRICANT	6	PE	
2	LCP	BLACK UL94V-0	5	PS	
1	COPPER ALLOY	3	4	POLYAMIDE RESIN	

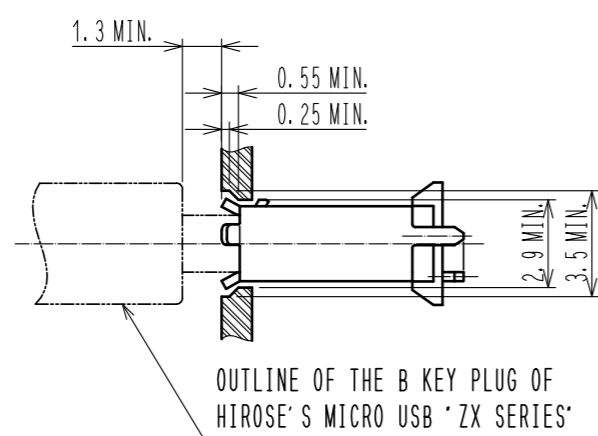
UNITS	SCALE	COUNT	DESCRIPTION OF REVISIONS	DESIGNED	CHECKED	DATE
mm	5 : 1	△				
APPROVED : NM. NISHIMATSU			15.10.27	DRAWING NO. EDC-126723-31-00		
CHECKED : KN. ICHIKAWA			15.10.27	PART NO. ZX80-B-5P(31)		
DESIGNED : TS. ITO			15.10.27	CODE NO. CL242-0051-0-31		
DRAWN : AK. AKIYAMA			15.10.27	1/2		

Sep.1.2021 Copyright 2021 HIROSE ELECTRIC CO., LTD. All Rights Reserved.
 In case of consideration for using Automotive equipment / device which demand high reliability, kindly contact our sales window correspondents.

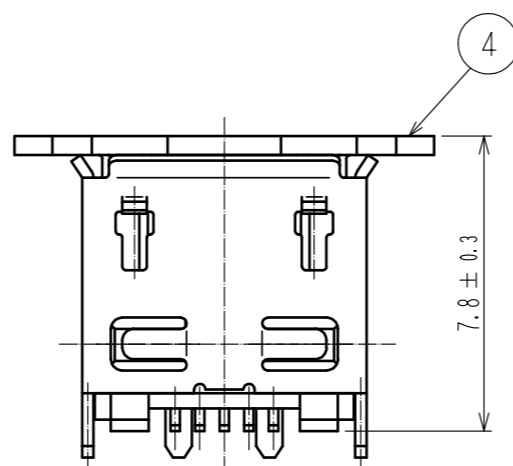
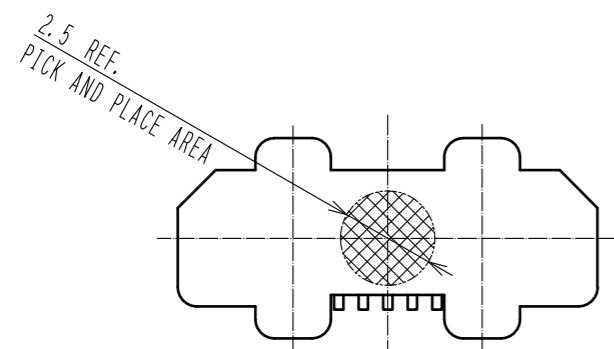
RECOMMENDED PANEL CUTOUT (4:1)



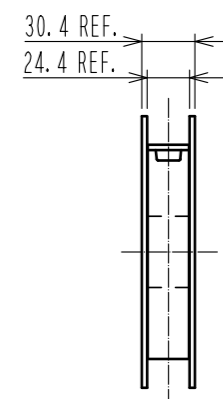
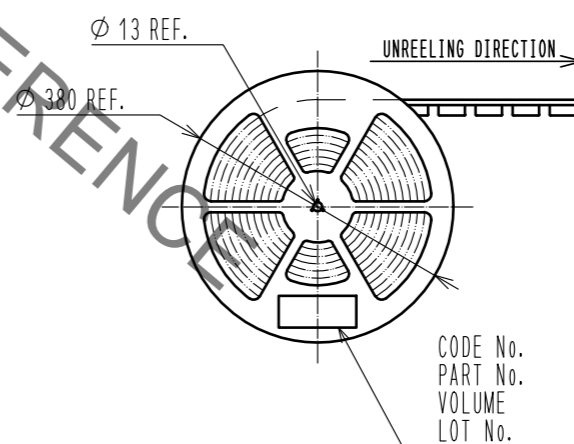
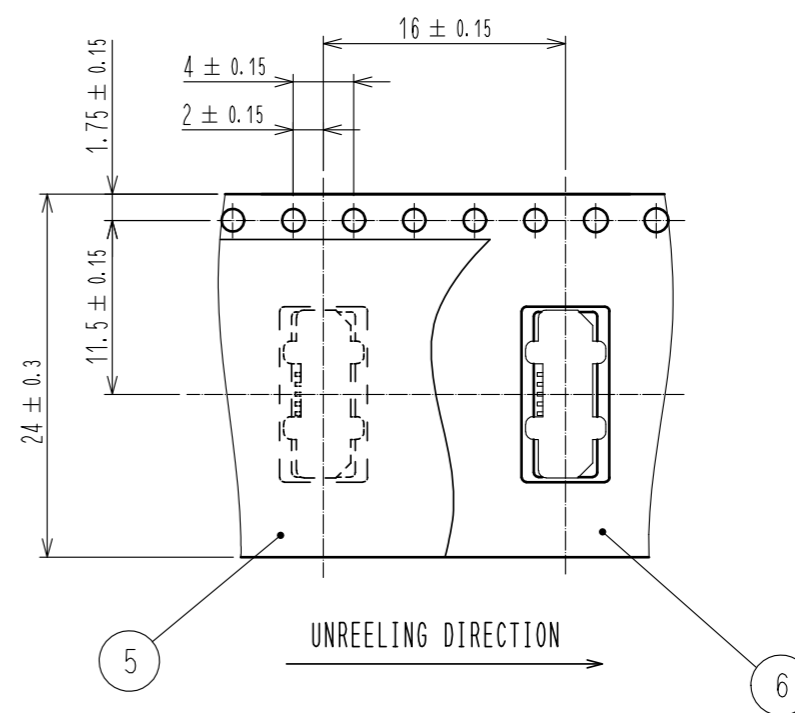
MATED WITH CORRESPONDING PLUG(4:1)



PICK AND PLACE CAP



4 DRAWING FOR PACKING (FREE)



HRS	DRAWING NO.	EDC-126723-31-00	2/2
	PART NO.	ZX80-B-5P(31)	
	CODE NO.	CL242-0051-0-31	