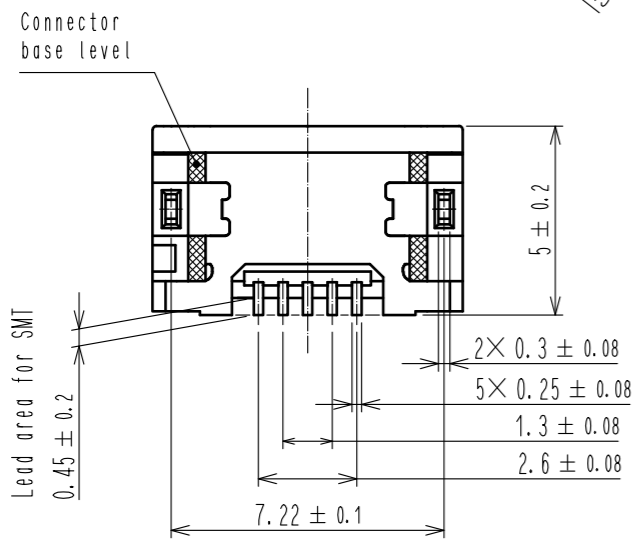
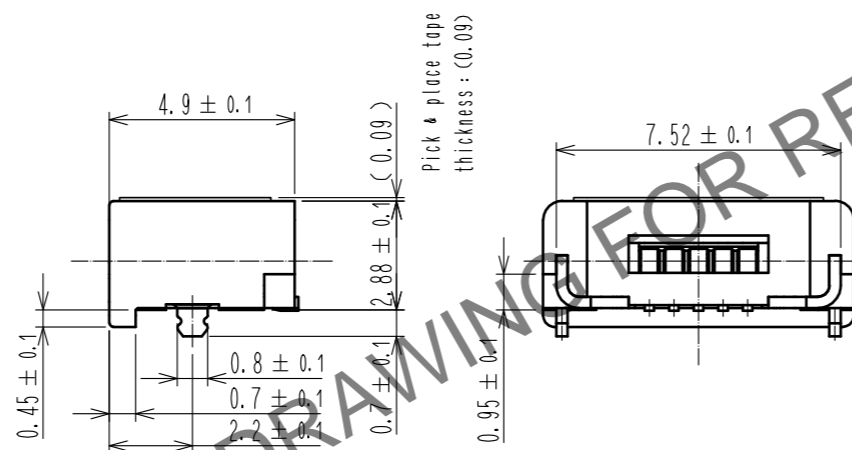
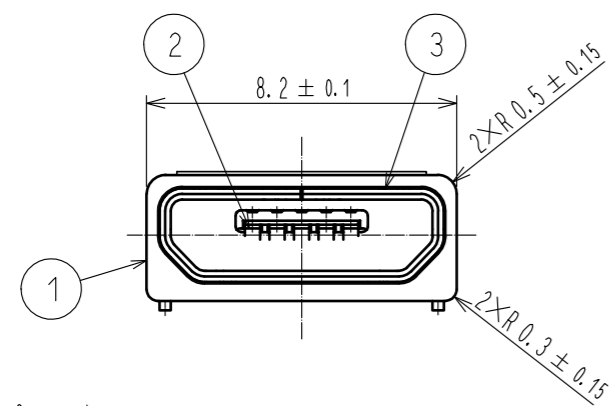
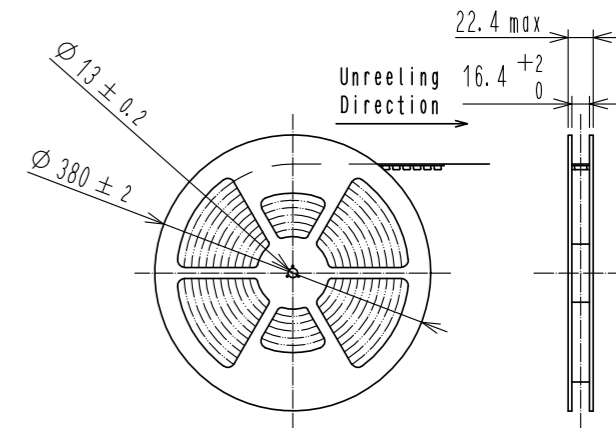
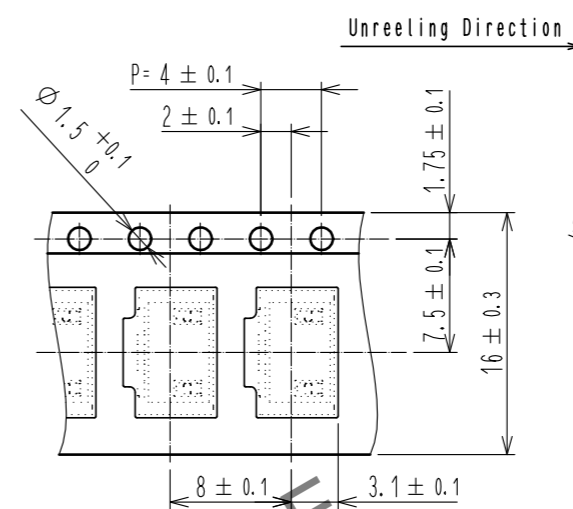
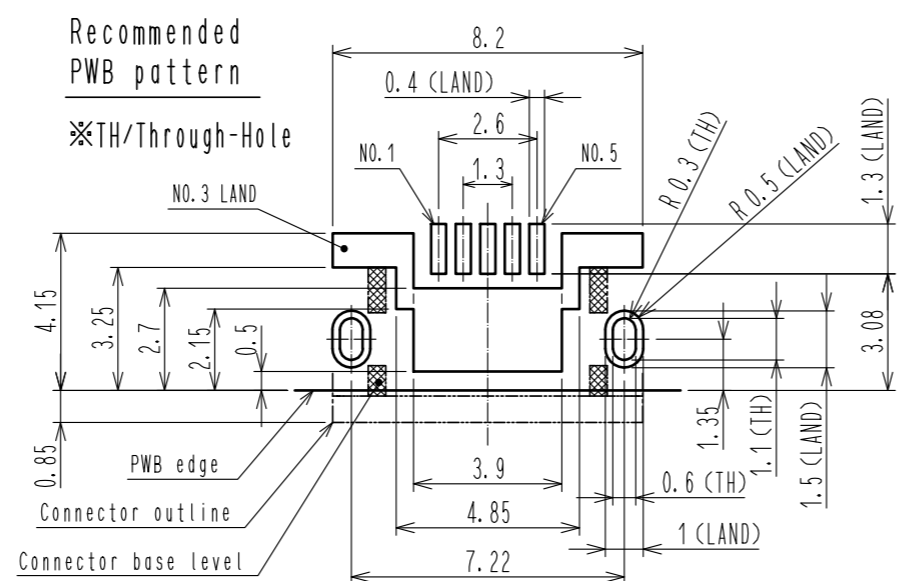
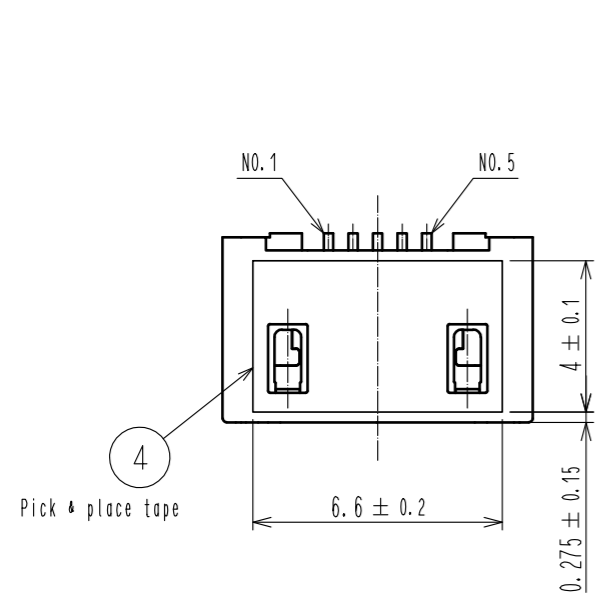
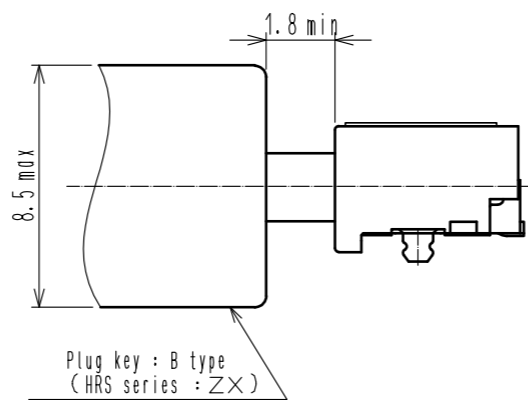


Nov.1.2024 Copyright 2024 HIROSE ELECTRIC CO., LTD. All Rights Reserved.
In case of consideration for using Automotive equipment / device which demand high reliability, kindly contact our sales window correspondents.

Drawing for packing (FREE)



Section of mated condition



- Remark) 1. Co-planarity is within 0.08mm
 2 Plating
 Contact area: Palladium -Nickel 0.75um MIN + Gold 0.05um MIN
 Lead area: Gold 0.05um MIN
 Under plating: Nickel 2um MIN
 3. Opening area shape: Conform to USB2.0 standard
 4. Per reel: 3000 pcs

3	Stainless-Steel	Gold 0.01µm min (Selective mating and soldering area) Lubricant	6	PE	Top cover tape
2	Copper-Alloy	2	5	PS	Embossed carrier tape
1	LCP	Black UL94V-0	4	PI	Pick & place tape
NO.	MATERIAL	FINISH, REMARKS	NO.	MATERIAL	FINISH, REMARKS
UNITS mm		SCALE 5 : 1	COUNT 1	DESCRIPTION OF REVISIONS DIS-E-00000909	DESIGNED TY. MIURA
APPROVED : RI. TAKAYASU		11.06.20	DRAWING NO. EDC3-126992-02		
CHECKED : TA. ASO		11.06.20	PART NO. ZX62WD1-B-5PC		
DESIGNED : WR. YAMADA		11.06.20	CODE NO. CL242-0121-3-00		
DRAWN : WR. YAMADA		11.06.20	DATE 17.03.24		