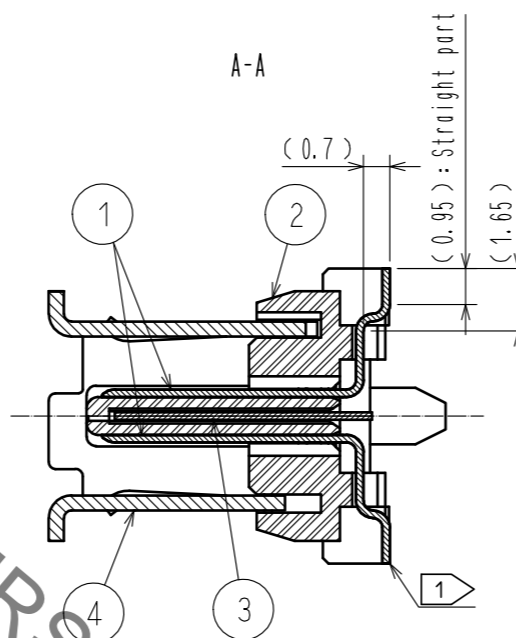
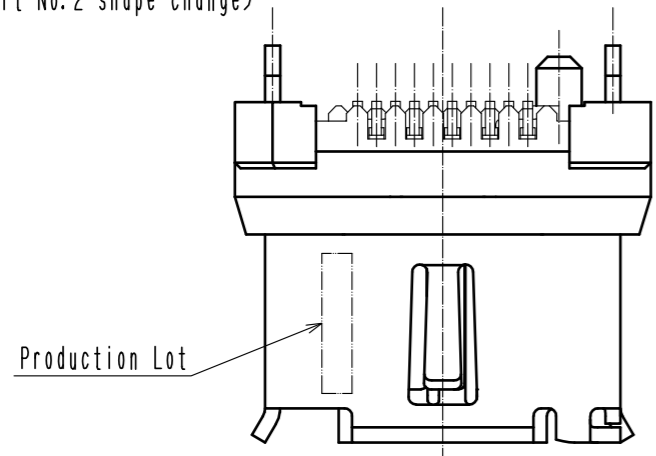
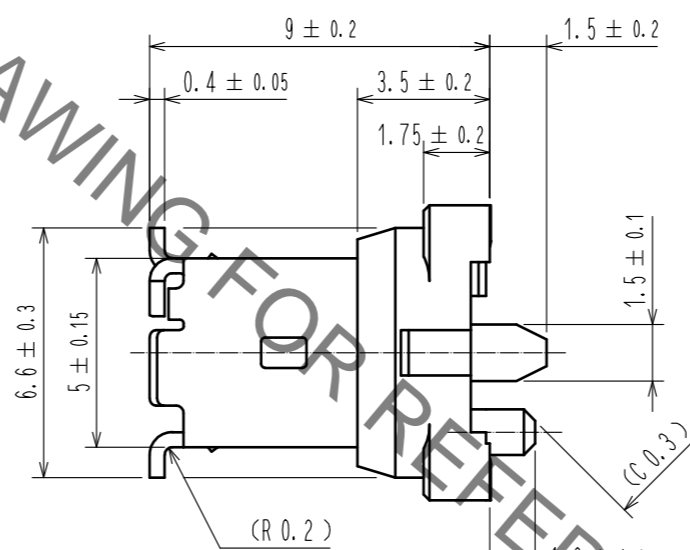
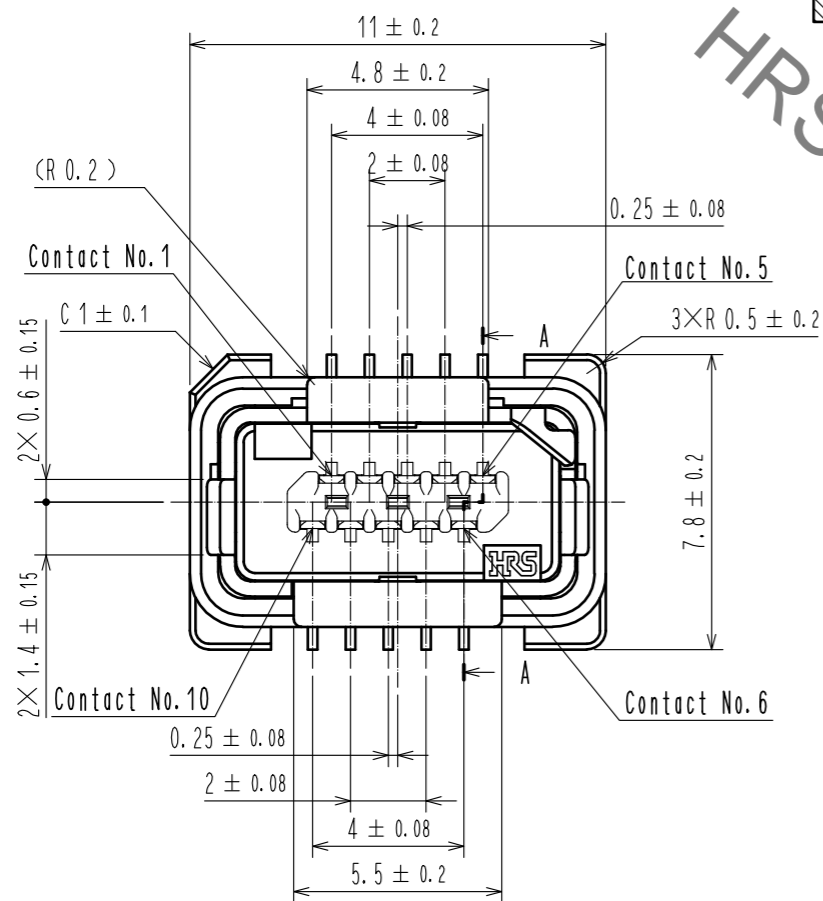


May.1.2019 Copyright 2019 HIROSE ELECTRIC CO., LTD. All Rights Reserved.  
In case of consideration for using Automotive equipment / device which demand high reliability, kindly contact our sales window correspondents.

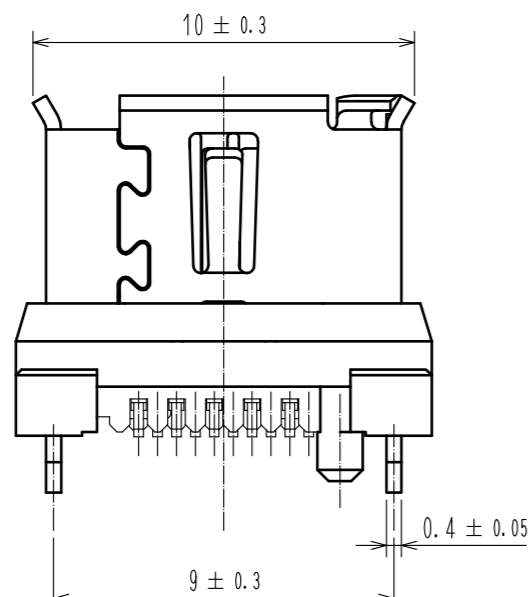
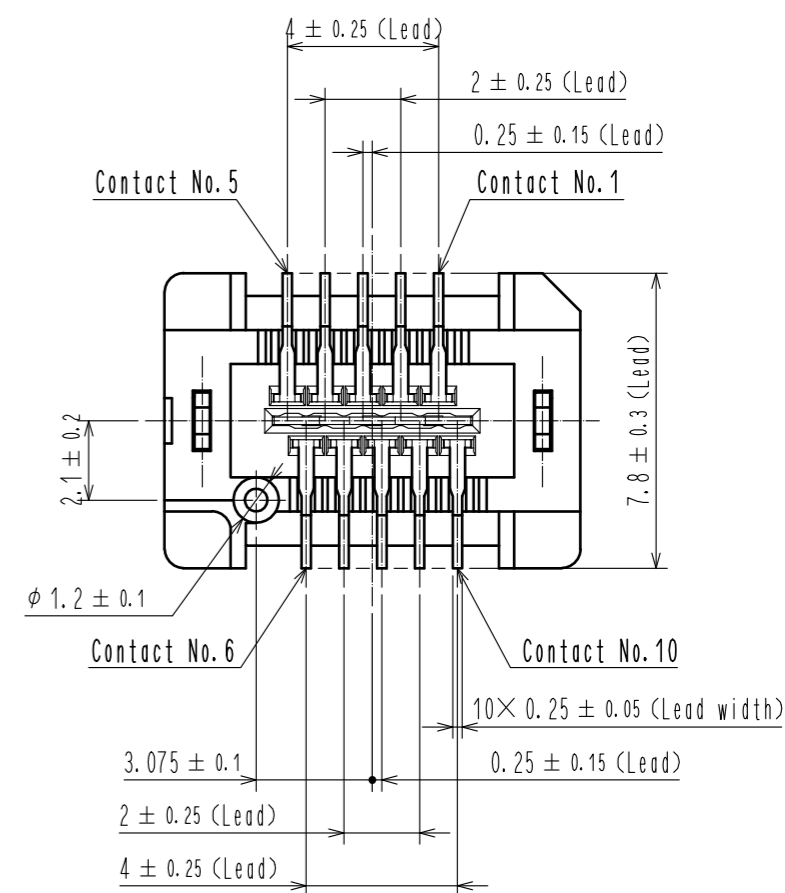
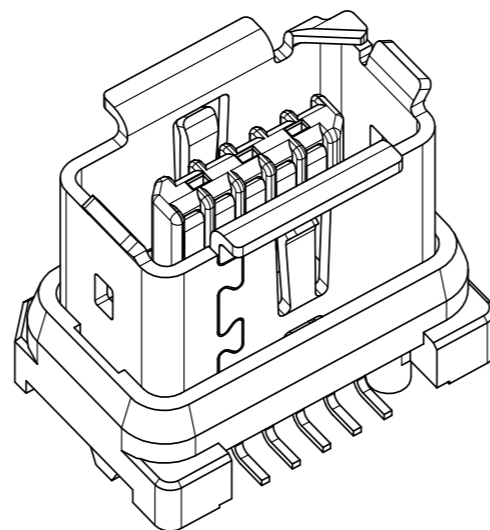
(Part No.2 shape change)



- Notes.
- 1 Co-planarity is within 0.1 mm.
  - 2 As for part No.4 the performance remains good though there might be a difference in the plating luster between each plating lots.
  - 3 Per reel : 450 pcs.  
The vacuum cap (part No.5) is attached to this product at delivery.
  - 4 Refer to the mated condition diagram for the panel thickness and layout.
  - 5 This product is mounted by reflow soldering.  
Refer to specification sheet ELC-129413-00-00 for reflow soldering.



3D image

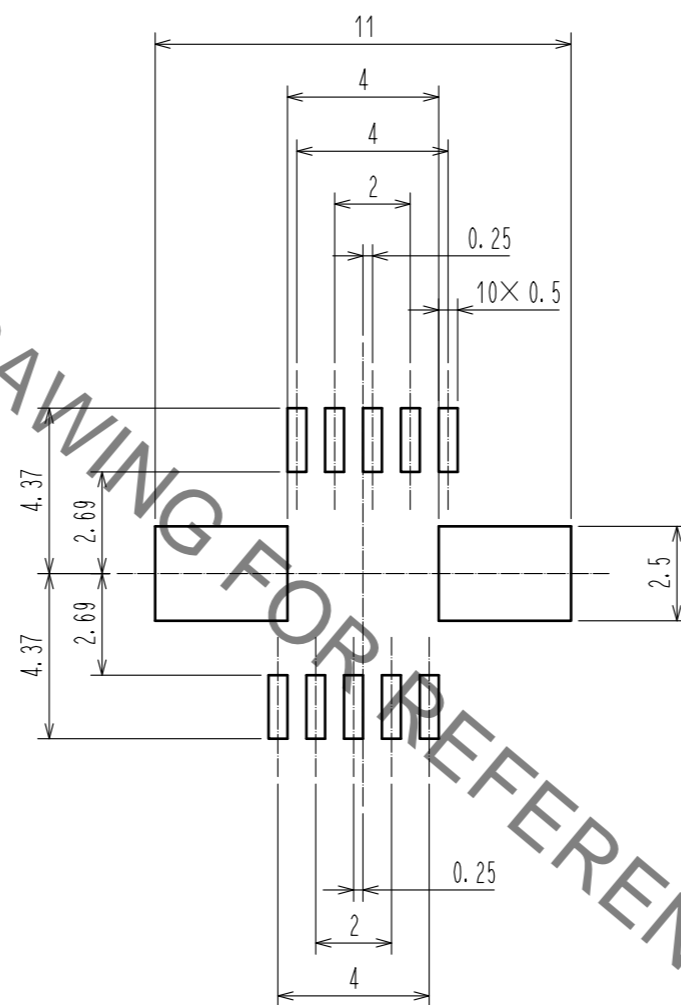
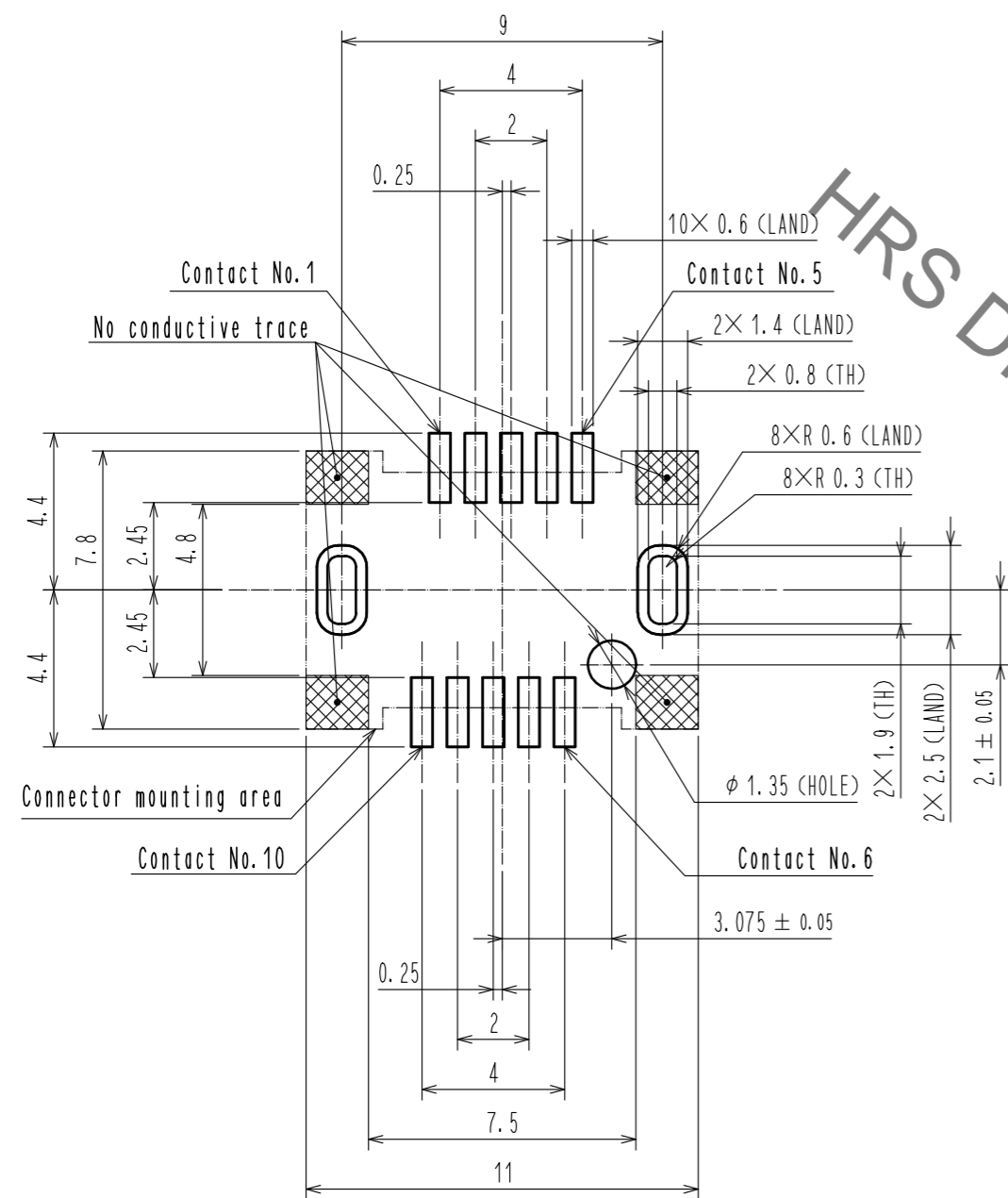


3	Stainless Steel		7	PE	
2	Polyamide	Gray - UL94V-0	6	PS	
1	Copper Alloy	Contact area : Gold 0.2 μm min. Lead area : Gold 0.03 μm min. Under plating : Nickel 2 μm min.	5	Polyamide	Black - UL94V-0
			4	Stainless Steel	Surface : Tin 1 μm min. Under plating : Nickel 0.2 μm min.
NO.	MATERIAL	FINISH . REMARKS	NO.	MATERIAL	FINISH . REMARKS
UNITS	mm	SCALE 5 : 1	COUNT 1	DESCRIPTION OF REVISIONS	DESIGNED KS. TAKAHASHI
				DIS-E-00001787	CHECKED KI. NAGANUMA
				APPROVED : RI. TAKAYASU 18.04.23	DATE 18.09.11
				CHECKED : KI. NAGANUMA 18.04.20	
				DESIGNED : YS. SAKODA 18.04.20	
				DRAWN : YS. SAKODA 18.04.20	
HIROSE ELECTRIC CO., LTD.			DRAWING NO. EDC-129413-00-00 PART NO. IX80G-B-10P CODE NO. CL251-0019-0-00		

May.1.2019 Copyright 2019 HIROSE ELECTRIC CO., LTD. All Rights Reserved.  
 In case of consideration for using Automotive equipment / device which demand high reliability, kindly contact our sales window correspondents.

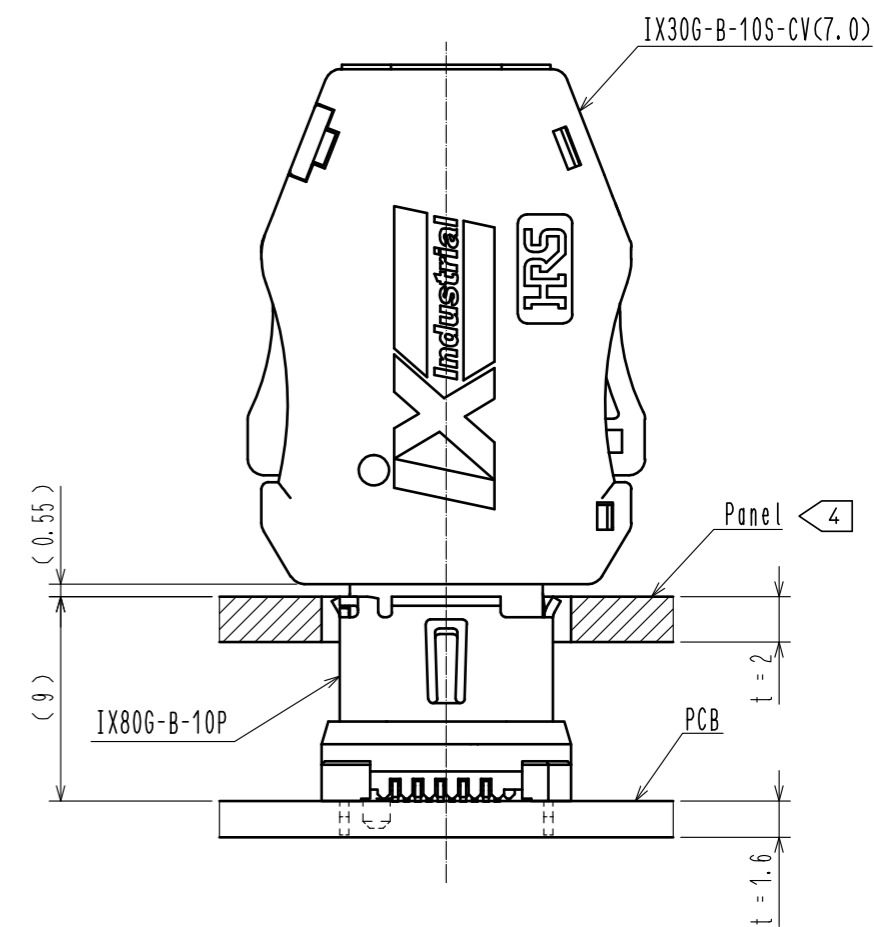
Reference PCB Layout (Connector Mounting Side)(t = 1.6)

6 Reference Metal Mask Layout (t = 0.15)

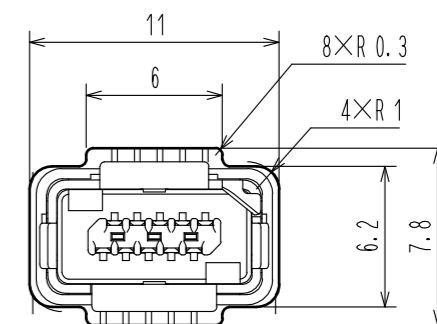


General tolerance is +/- 0.05

Mated Condition (Free)



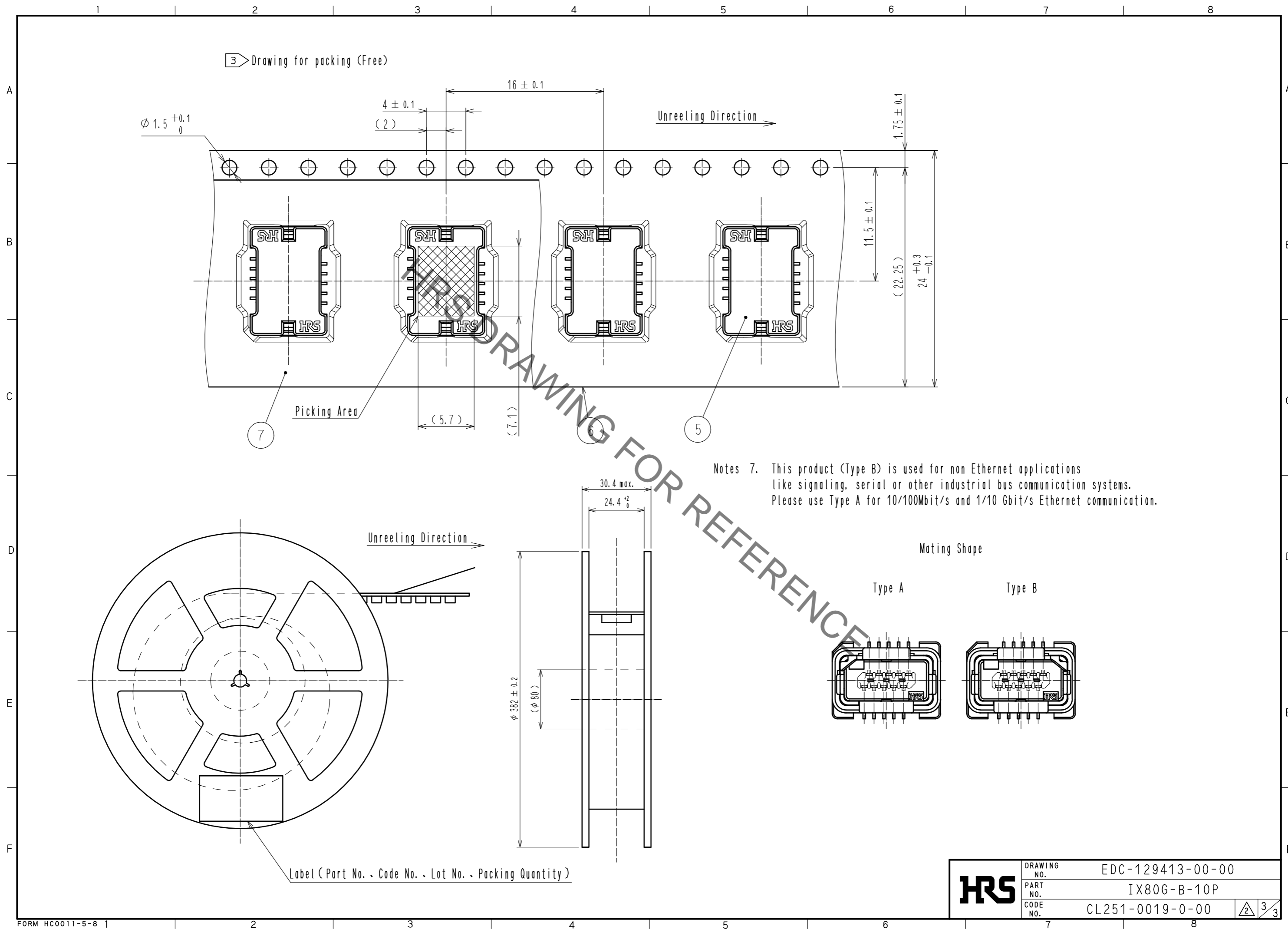
4 Reference Dimensions of Panel Cutout (Free)



Notes. 6 Thickness of metal mask is 0.1 mm min.  
 Metal mask dimensions of the drawings described, are reference dimensions for 0.15 mm thickness metal mask.  
 Change the metal mask dimensions by thickness of the metal mask, thickness of PCB, component of solder paste and mounting conditions.  
 Change the metal mask dimensions in case of mounting IX80G-+-10P in parallel.  
 Change the metal mask dimensions, if there are other mounting parts or implementation pattern around the portion of mounting position of IX80G-+-10P.

<b>HRS</b>	DRAWING NO.	EDC-129413-00-00		2/3
	PART NO.	IX80G-B-10P		
	CODE NO.	CL251-0019-0-00		

May.1.2019 Copyright 2019 HIROSE ELECTRIC CO., LTD. All Rights Reserved.  
 In case of consideration for using Automotive equipment / device which demand high reliability, kindly contact our sales window correspondents.



<b>HRS</b>	DRAWING NO.	EDC-129413-00-00	2/3
	PART NO.	IX80G-B-10P	
	CODE NO.	CL251-0019-0-00	