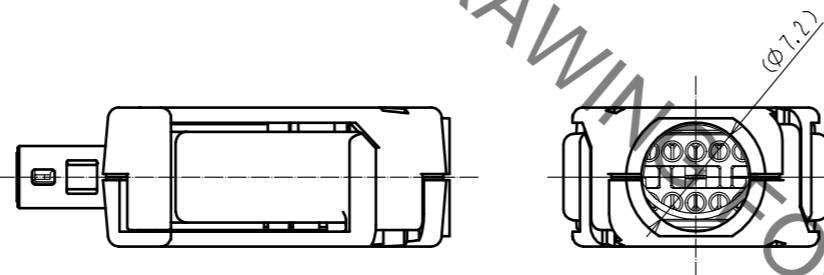
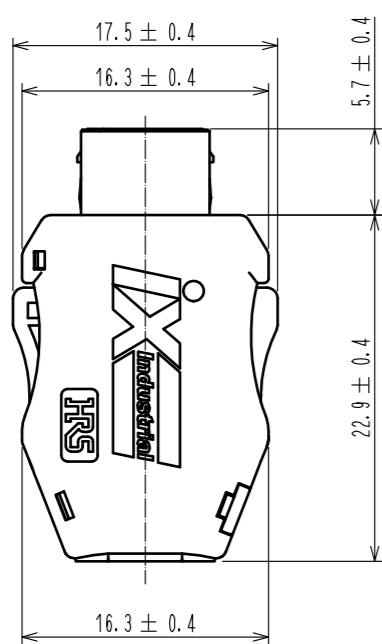
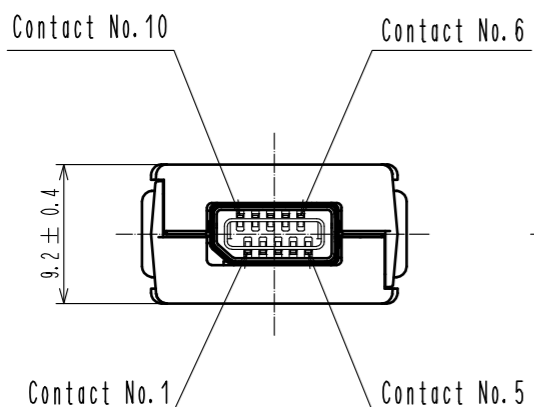
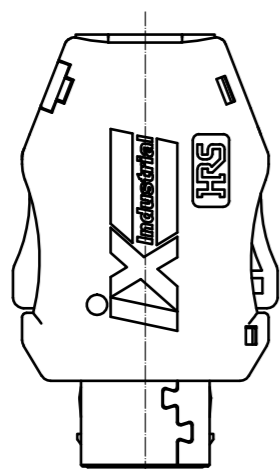


Apr.1.2019 Copyright 2019 HIROSE ELECTRIC CO., LTD. All Rights Reserved.
In case of consideration for using Automotive equipment / device which demand high reliability, kindly contact our sales window correspondents.



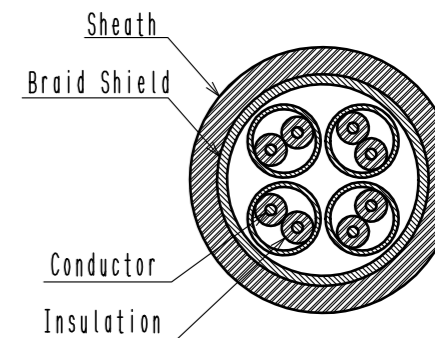
2 Pin Assignment For 10/100 Mbit/s And 1/10 Gbit/s Ethernet

| Contact No. | Signal | |
|-------------|---------------|-------------|
| | 10/100 Mbit/s | 1/10 Gbit/s |
| 1 | TX+ | BI_DA+ |
| 2 | TX- | BI_DA- |
| 3 | N. C | N. C |
| 4 | N. C | BI_DC+ |
| 5 | N. C | BI_DC- |
| 6 | RX+ | BI_DB+ |
| 7 | RX- | BI_DB- |
| 8 | N. C | N. C |
| 9 | N. C | BI_DD+ |
| 10 | N. C | BI_DD- |

Notes. 1. Applicable cable condition is shown below.
In case of using a not applicable cable, please contact our sales representative.
Refer to the technical specification (ETAD-E3162-00) for wiring and assembly procedure.

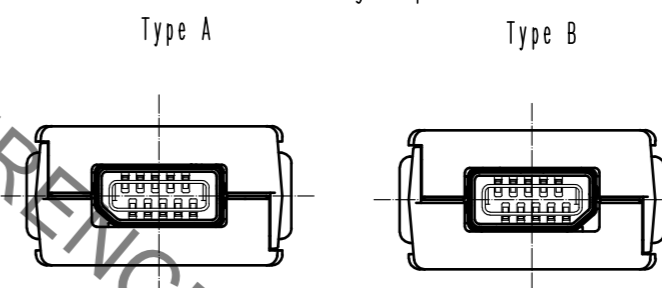
Applicable Cable

| Items | | Applicable Condition |
|------------------|-------------|----------------------|
| Conductor | Size | AWG#28 to 26 |
| | Composition | 7 stranded |
| | Material | Annealed copper wire |
| Insulation O. D. | | φ 0.95 to 1.05mm |
| Braid Shield | | Tin plating |
| Sheath O. D. | | φ 6.3 to 7.2mm |



2 This product (Type A) is defined for 10/100 Mbit/s and 1/10 Gbit/s Ethernet communication. Please use Type B for all other non Ethernet applications like signaling, serial or other industrial bus communication systems.

Mating Shape



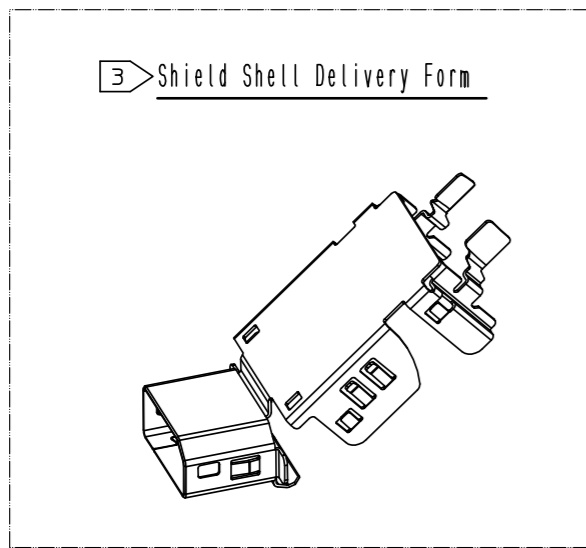
3 This product except plug unit is packed separately by the types of parts. Shield Shell is packed in pre-bended state. (See next page.)

| NO. | MATERIAL | FINISH | REMARKS | NO. | MATERIAL | FINISH | REMARKS |
|-----|-----------------|--------|---|-----|-----------------|--------|--------------------|
| 4 | PA | | Black, UL94V-0 | 8 | PC | | Dark gray, UL94V-0 |
| 3 | Stainless Steel | | | 7 | Stainless Steel | | Nickel 0.2 μm min |
| 2 | PA | | Black, UL94V-0 | 6 | Stainless Steel | | Nickel 1 μm min |
| 1 | Copper Alloy | | Contact area : Gold 0.2 μm min Wiring area : Gold 0.03 μm min Under plating : Nickel 2 μm min | 5 | PC | | Clear, UL94V-0 |

| UNITS | SCALE | COUNT | DESCRIPTION OF REVISIONS | DESIGNED | CHECKED | DATE |
|-------|-------|-------|--------------------------|-------------|--------------|----------|
| mm | 2 : 1 | 2 | DIS-E-00001437 | SG. CHAMURA | KI. NAGANUMA | 18.07.02 |

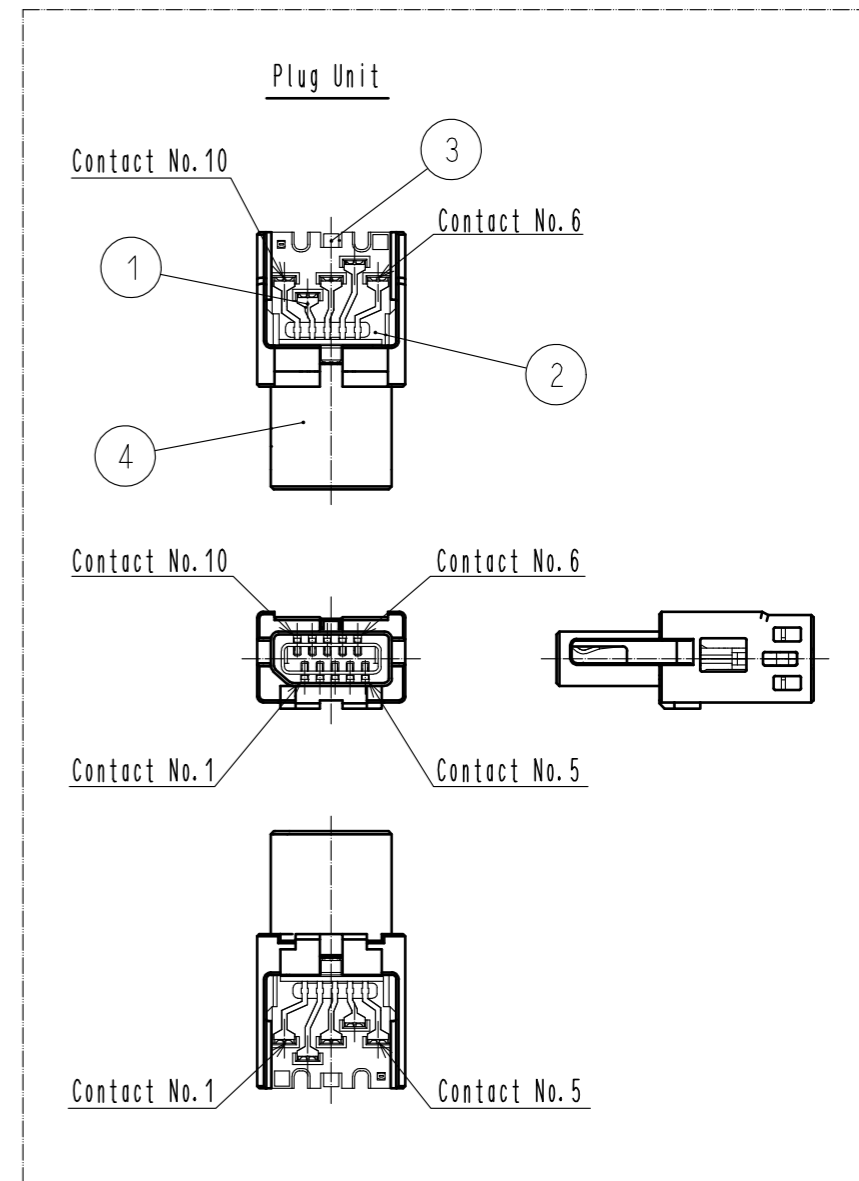
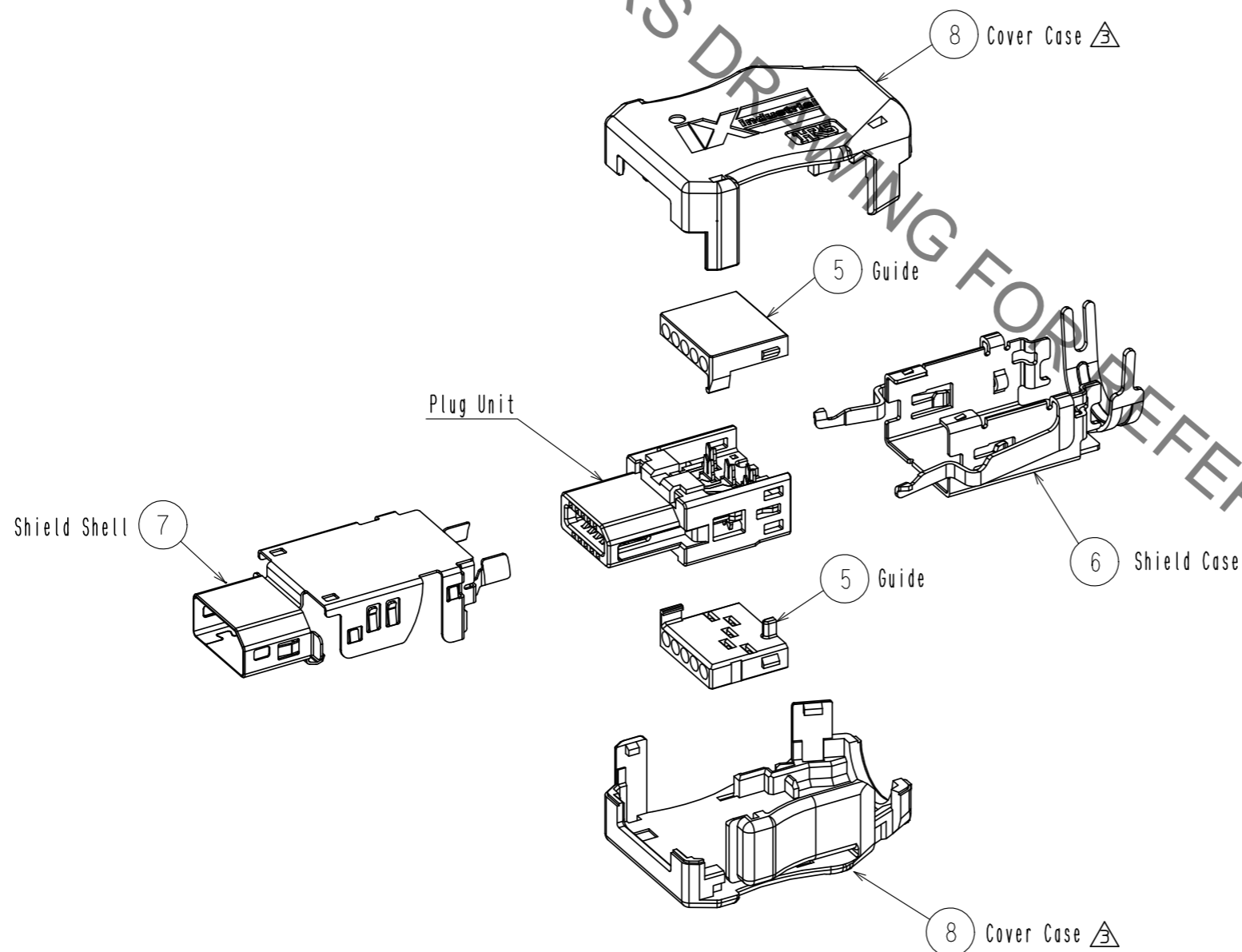
| APPROVED | CHECKED | DESIGNED | DRAWN | DRAWING NO. | PART NO. | CODE NO. |
|--------------|--------------|----------|----------|------------------|---------------------|-----------------|
| RI. TAKAYASU | KI. NAGANUMA | HT. SATO | HT. SATO | EDC-129419-00-00 | IX30G-A-10S-CV(7.0) | CL251-0020-0-00 |

Apr.1.2019 Copyright 2019 HIROSE ELECTRIC CO., LTD. All Rights Reserved.
 In case of consideration for using Automotive equipment / device which demand high reliability, kindly contact our sales window correspondents.

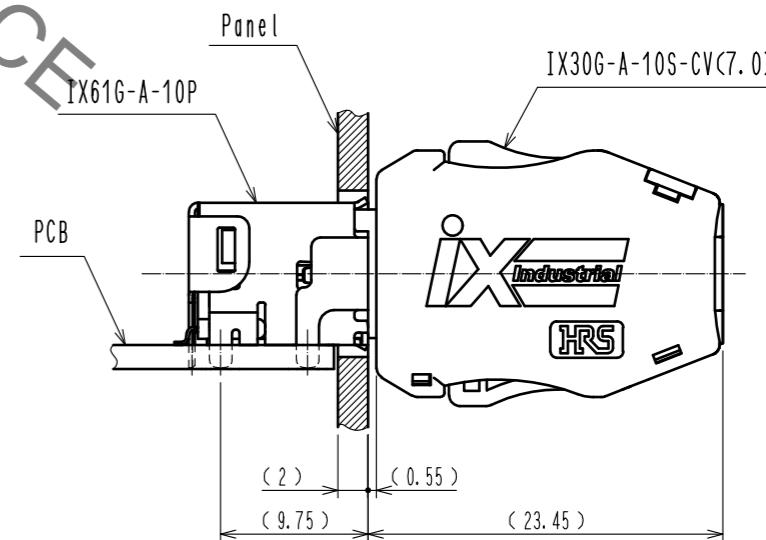


HRS DRAWING FOR REFERENCE

3 Product Structure



Mating Condition



| | | | | | |
|------------|-------------|---------------------|--|---|---|
| HRS | DRAWING NO. | EDC-129419-00-00 | <table border="1" style="font-size: 0.8em;"> <tr> <td style="text-align: center;">3</td> <td style="text-align: center;">2</td> </tr> </table> | 3 | 2 |
| | 3 | 2 | | | |
| | PART NO. | IX30G-A-10S-CV(7.0) | | | |
| | CODE NO. | CL251-0020-0-00 | | | |
| | | | | | |