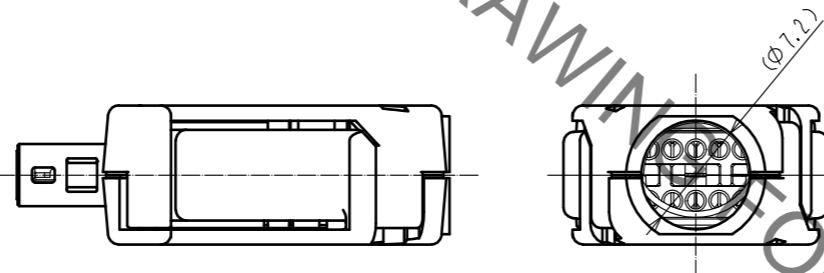
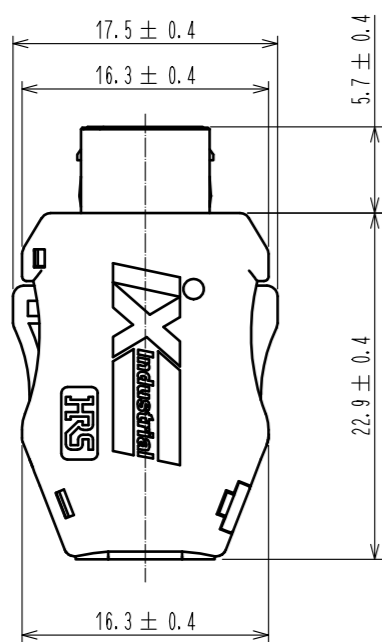
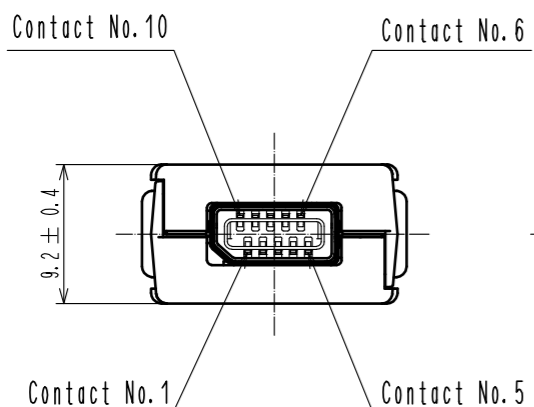
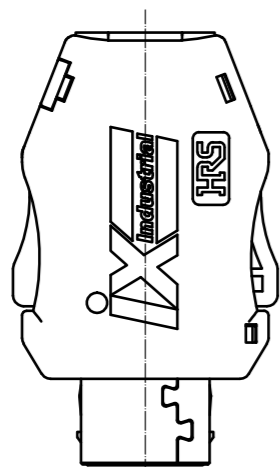


Apr.1.2019 Copyright 2019 HIROSE ELECTRIC CO., LTD. All Rights Reserved.
In case of consideration for using Automotive equipment / device which demand high reliability, kindly contact our sales window correspondents.



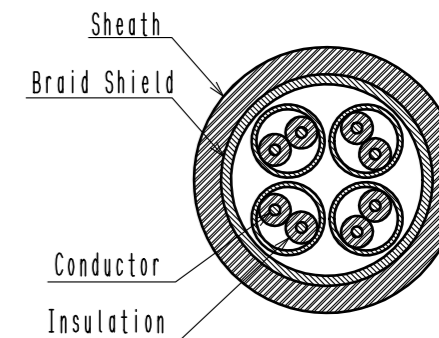
2 Pin Assignment For 10/100 Mbit/s And 1/10 Gbit/s Ethernet

Contact No.	Signal	
	10/100 Mbit/s	1/10 Gbit/s
1	TX+	BI_DA+
2	TX-	BI_DA-
3	N. C	N. C
4	N. C	BI_DC+
5	N. C	BI_DC-
6	RX+	BI_DB+
7	RX-	BI_DB-
8	N. C	N. C
9	N. C	BI_DD+
10	N. C	BI_DD-

Notes. 1. Applicable cable condition is shown below.
In case of using a not applicable cable, please contact our sales representative.
Refer to the technical specification (ETAD-E3162-00) for wiring and assembly procedure.

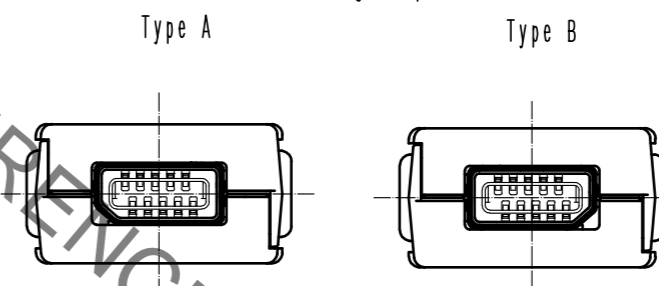
Applicable Cable

Items		Applicable Condition
Conductor	Size	AWG#28 to 26
	Composition	7 stranded
	Material	Annealed copper wire
Insulation O. D.		$\phi 0.95$ to 1.05 mm
Braid Shield		Tin plating
Sheath O. D.		$\phi 6.3$ to 7.2 mm



2 This product (Type A) is defined for 10/100 Mbit/s and 1/10 Gbit/s Ethernet communication. Please use Type B for all other non Ethernet applications like signaling, serial or other industrial bus communication systems.

Mating Shape



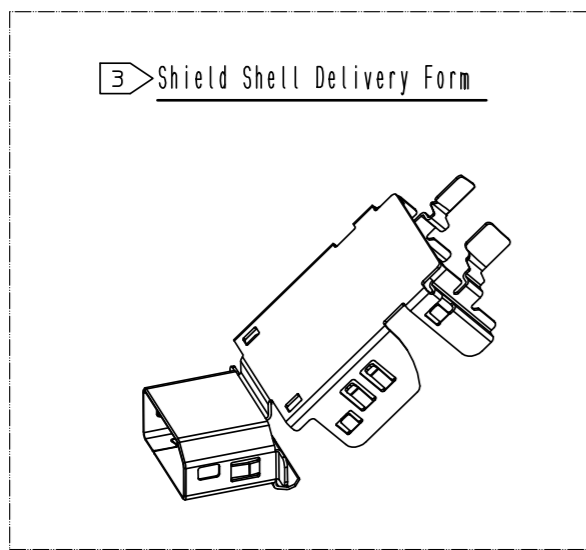
3 This product except plug unit is packed separately by the types of parts.
Shield Shell is packed in pre-bended state. (See next page.)

NO.	MATERIAL	FINISH . REMARKS	NO.	MATERIAL	FINISH . REMARKS
3	Stainless Steel		8	PC	Dark gray, UL94V-0
2	PA	Black, UL94V-0	7	Stainless Steel	Nickel 0.2 μ m min
1	Copper Alloy	Contact area : Palladium-Nickel 0.75 μ m min + Gold 0.05 μ m min	6	Stainless Steel	Nickel 1 μ m min
		Wiring area : Gold 0.03 μ m min	5	PC	Clear, UL94V-0
		Under plating : Nickel 2 μ m min	4	PA	Black, UL94V-0

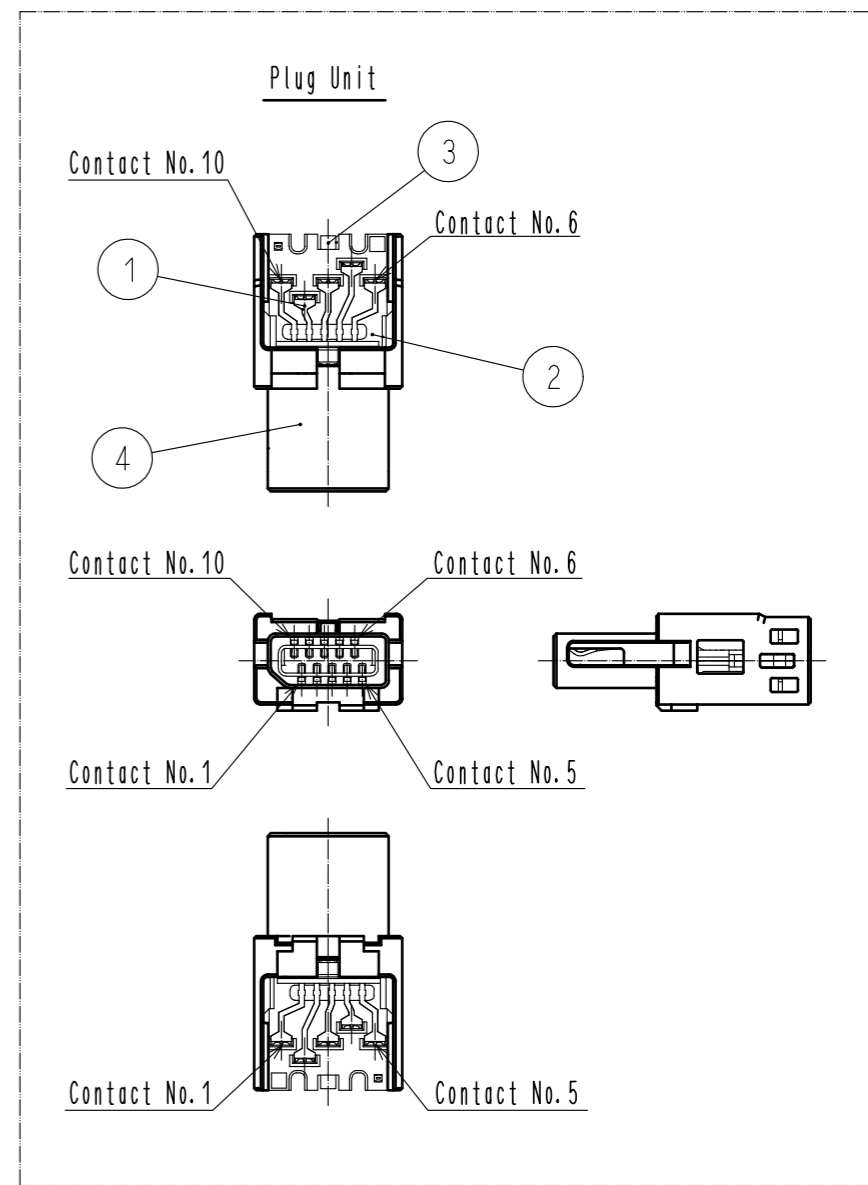
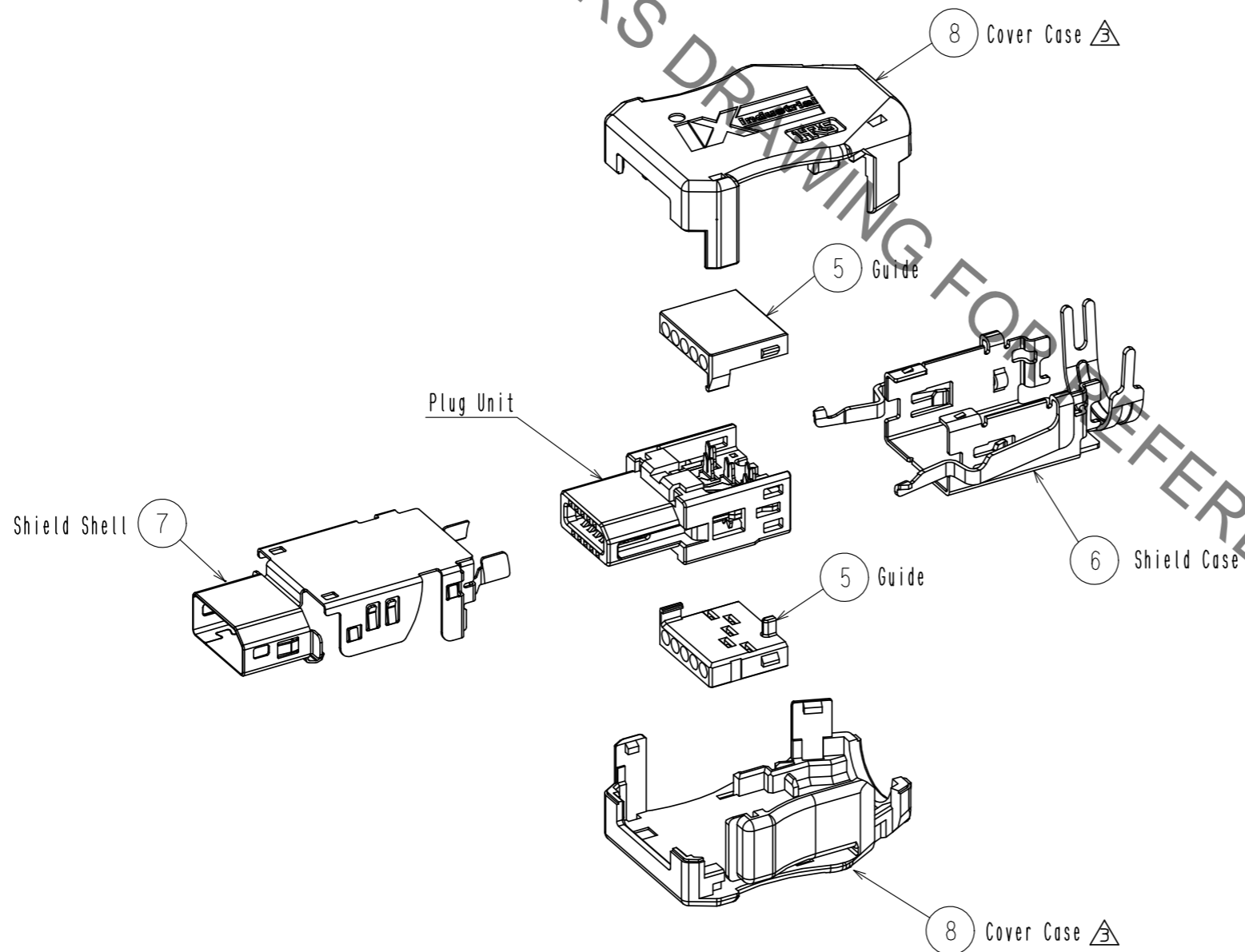
UNITS	SCALE	COUNT	DESCRIPTION OF REVISIONS	DESIGNED	CHECKED	DATE
mm	2 : 1	2	DIS-E-00001437	SG. CHAMURA	KI. NAGANUMA	18.07.02

APPROVED	: RI. TAKAYASU	17.03.28	DRAWING NO.	EDC-129419-01-00	
CHECKED	: KI. NAGANUMA	17.03.28	PART NO.	IX30G-A-10S-CV<7.0><01>	
DESIGNED	: HT. SATO	17.03.28	CODE NO.	CL251-0020-0-01	1/2
DRAWN	: HT. SATO	17.03.28			

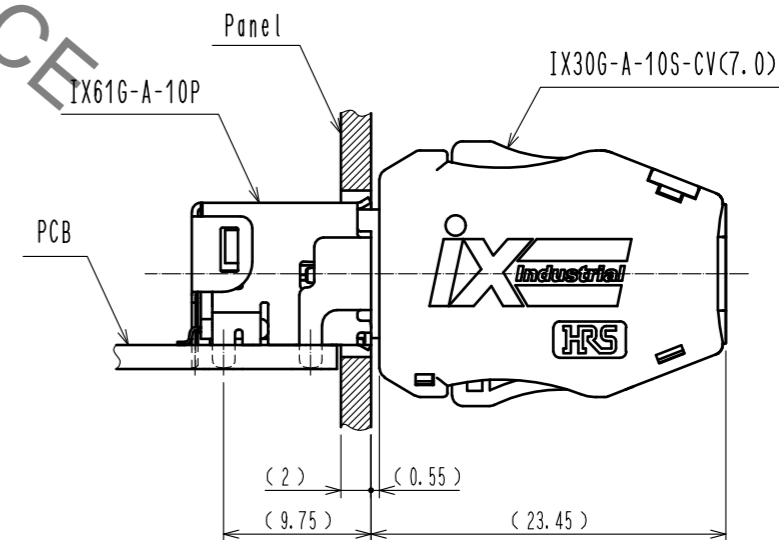
Apr.1.2019 Copyright 2019 HIROSE ELECTRIC CO., LTD. All Rights Reserved.
 In case of consideration for using Automotive equipment / device which demand high reliability, kindly contact our sales window correspondents.



3 Product Structure



Mating Condition



HRS	DRAWING NO.	EDC-129419-01-00
	PART NO.	IX30G-A-10S-CV(7.0)(01)
	CODE NO.	CL251-0020-0-01
		2/2