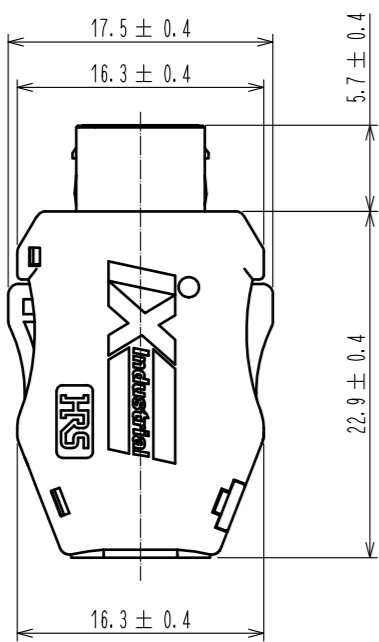
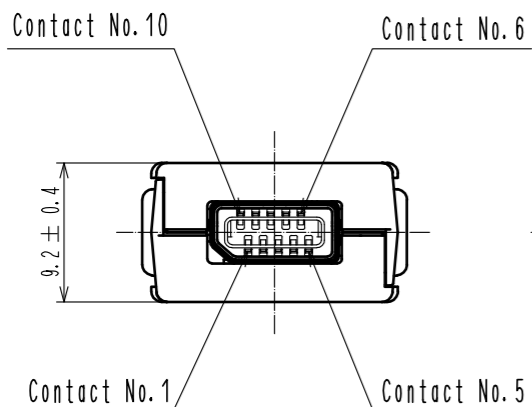
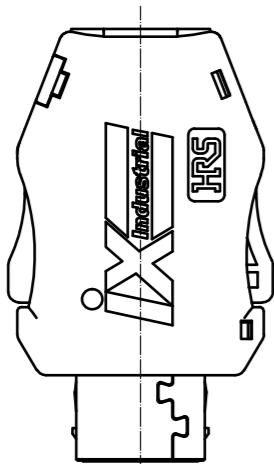
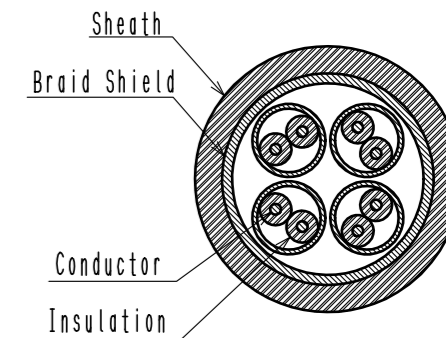


Apr.1.2019 Copyright 2019 HIROSE ELECTRIC CO., LTD. All Rights Reserved.  
In case of consideration for using Automotive equipment / device which demand high reliability, kindly contact our sales window correspondents.



Notes. 1. Applicable cable condition is shown below.  
In case of using a not applicable cable, please contact our sales representative.  
Refer to the technical specification (ETAD-E3164-00) for wiring and assembly procedure.

Applicable Cable	
Items	Applicable Condition
Conductor size	AWG # 28-22
Insulation O.D.	φ 1.55 mm MAX.
Braid Shield	Tin plating
Sheath O.D.	φ 6.3 -7.2 mm

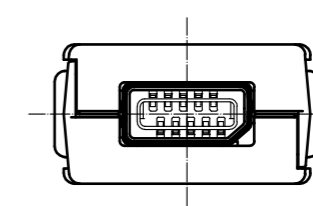
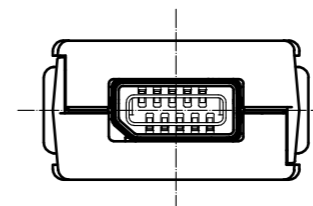


② This product (Type A) is defined for 10/100 Mbit/s and 1/10 Gbit/s Ethernet communication. Please use Type B for all other non Ethernet applications like signaling, serial or other industrial bus communication systems.

Mating Shape

Type A

Type B



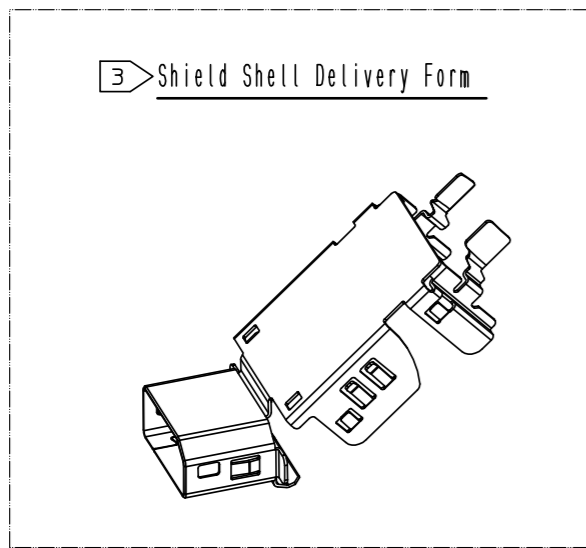
③ This product except plug unit is packed separately by the types of parts.  
Shield Shell is packed in pre-bended state. (See next page.)

② Pin Assignment For 10/100 Mbit/s And 1/10 Gbit/s Ethernet

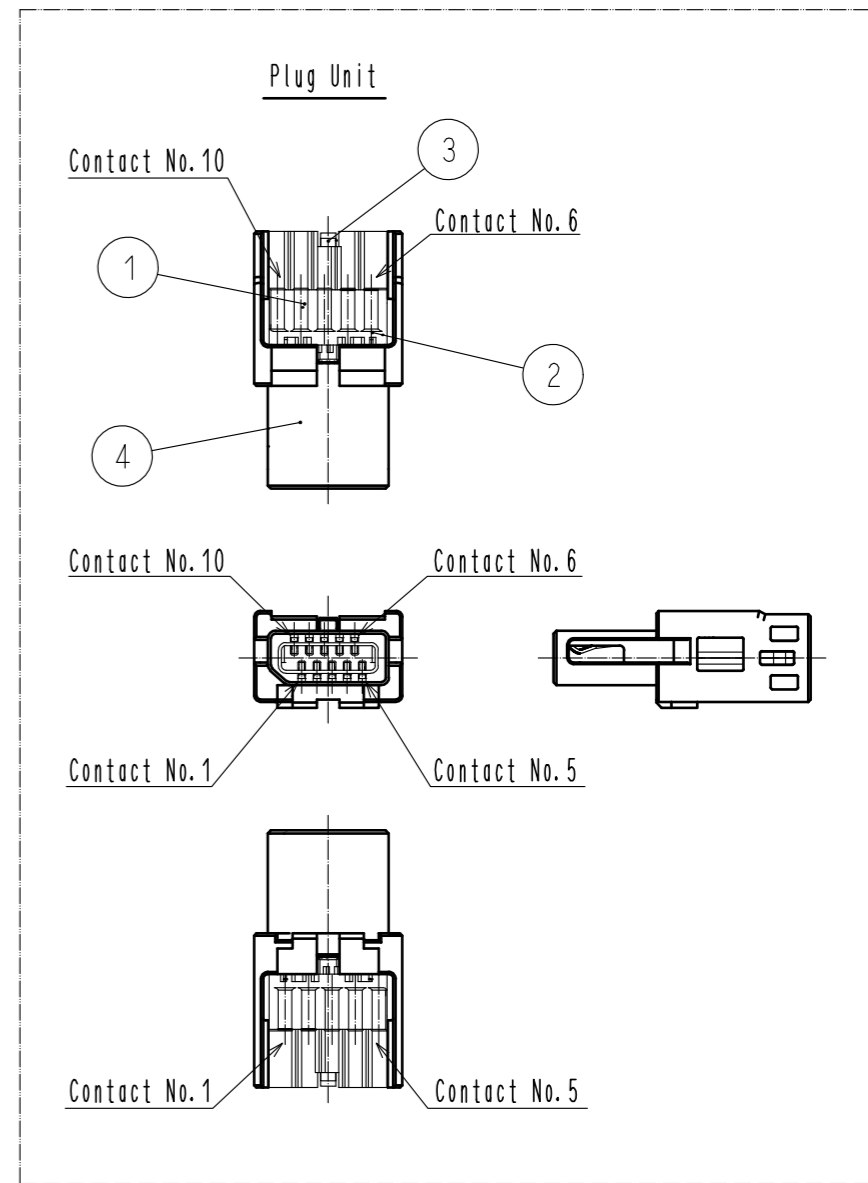
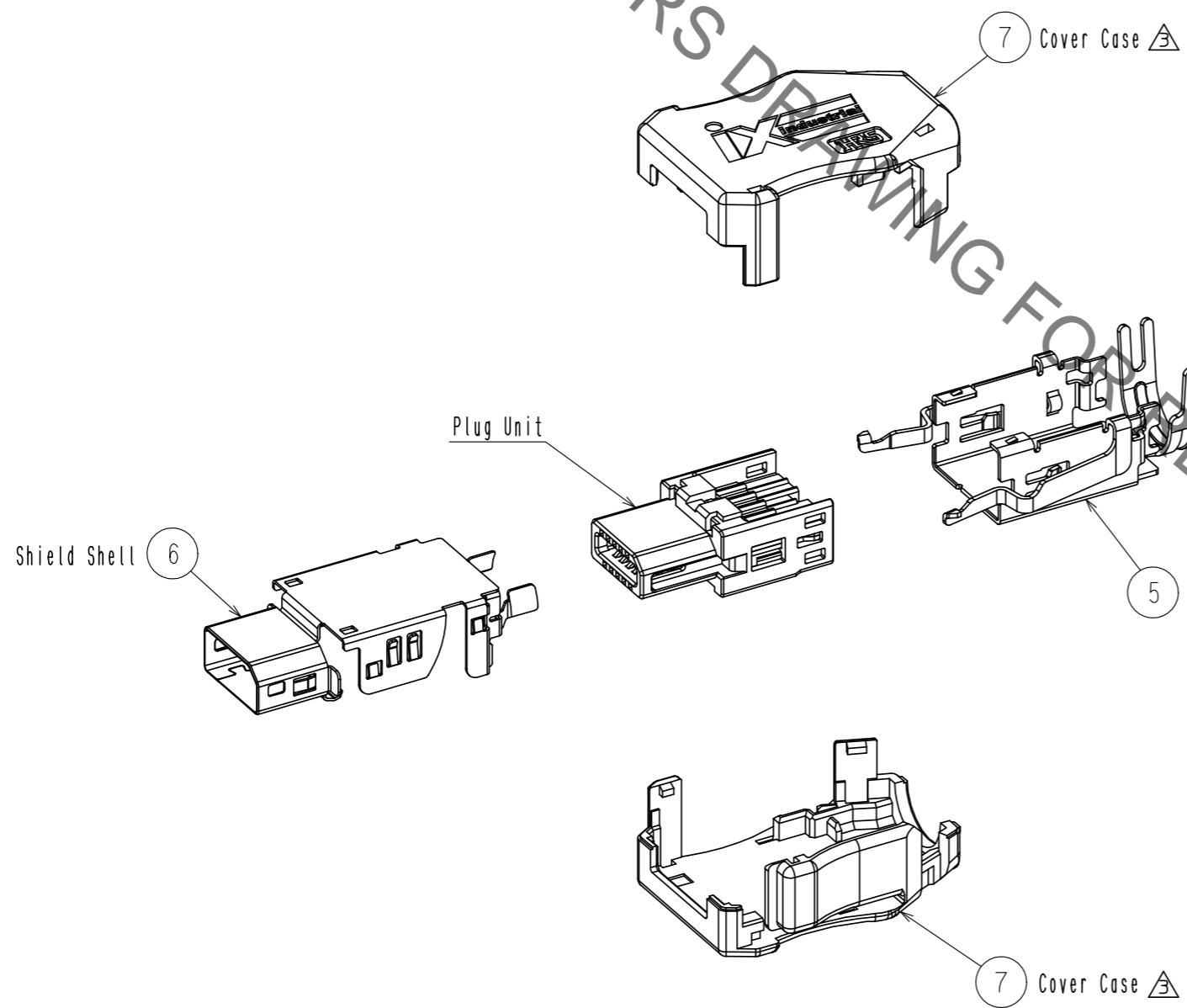
Contact No.	Signal	
	10/100 Mbit/s	1/10 Gbit/s
1	TX+	BI_DA+
2	TX-	BI_DA-
3	N.C	N.C
4	N.C	BI_DC+
5	N.C	BI_DC-
6	RX+	BI_DB+
7	RX-	BI_DB-
8	N.C	N.C
9	N.C	BI_DD+
10	N.C	BI_DD-

3	Stainless Steel		7	PC	Dark gray, UL94V-0		
2	PA	Black, UL94V-0	6	Stainless Steel	Nickel 0.2 μm min		
1	Copper Alloy	Contact area : Gold 0.2 μm min	5	Stainless Steel	Nickel 1 μm min		
		Wiring area : Gold 0.03 μm min	4	PA	Black, UL94V-0		
NO.	MATERIAL	FINISH . REMARKS	NO.	MATERIAL	FINISH . REMARKS		
UNITS mm		SCALE 2 : 1	COUNT 2	DESCRIPTION OF REVISIONS DIS-E-00001437	DESIGNED SG. CHAMURA	CHECKED KI. NAGANUMA	DATE 18.07.02
<b>HRS</b> HIROSE ELECTRIC CO., LTD.		APPROVED : RI. TAKAYASU	17.03.28	DRAWING NO. EDC-129431-00-00			
		CHECKED : KI. NAGANUMA	17.03.27	PART NO. IX40G-A-10S-CV(7.0)			
		DESIGNED : TS. SAKAIZAWA	17.03.27	CODE NO. CL251-0022-0-00			
		DRAWN : TS. SAKAIZAWA	17.03.27				

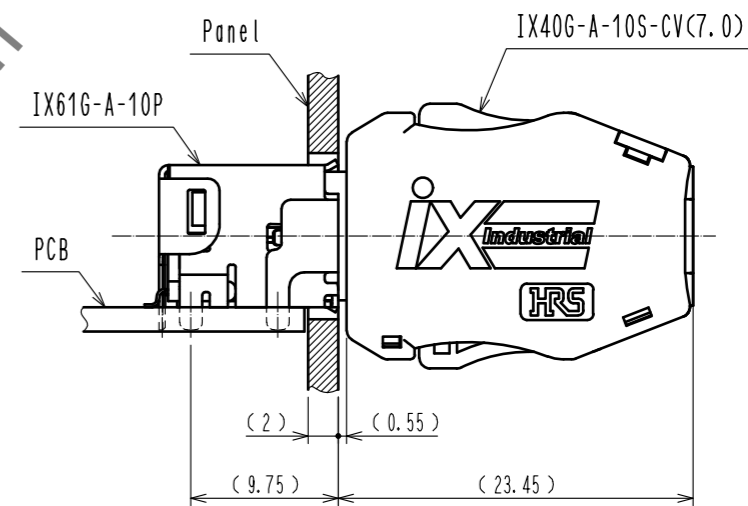
Apr.1.2019 Copyright 2019 HIROSE ELECTRIC CO., LTD. All Rights Reserved.  
 In case of consideration for using Automotive equipment / device which demand high reliability, kindly contact our sales window correspondents.



Product Structure



Mating Condition



<b>HRS</b>	DRAWING NO.	EDC-129431-00-00	
	PART NO.	IX40G-A-10S-CV(7.0)	
	CODE NO.	CL251-0022-0-00	
			$\triangle$ 2/2