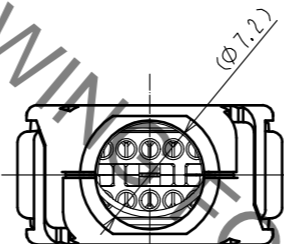
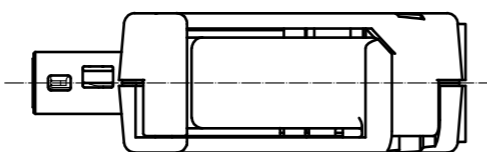
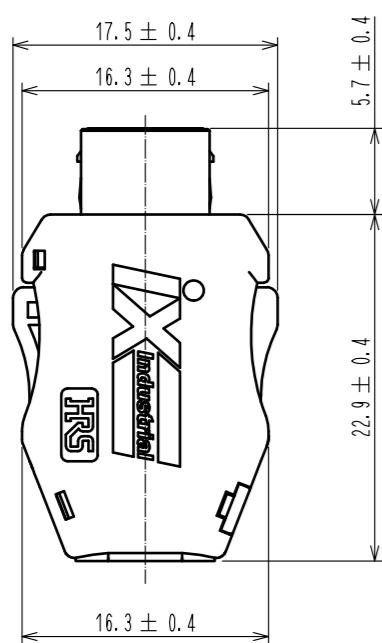
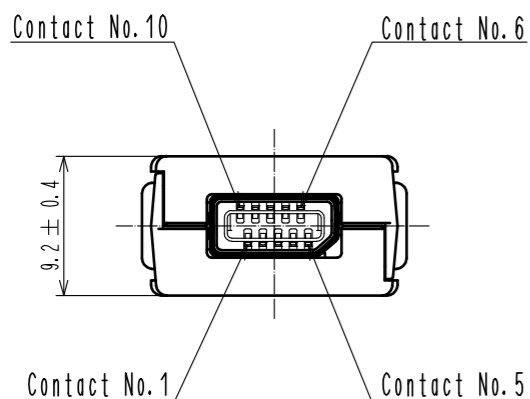
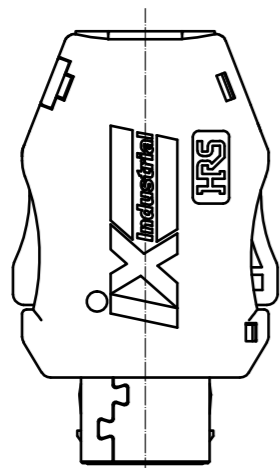


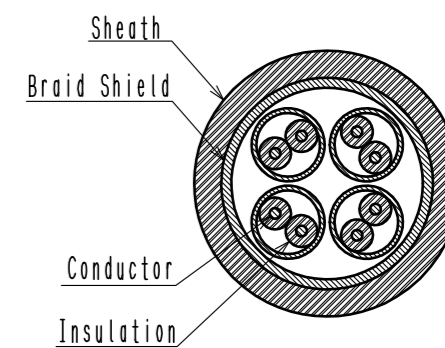
Apr.1.2019 Copyright 2019 HIROSE ELECTRIC CO., LTD. All Rights Reserved.
 In case of consideration for using Automotive equipment / device which demand high reliability, kindly contact our sales window correspondents.



Notes. 1. Applicable cable condition is shown below.
 In case of using a not applicable cable, please contact our sales representative.
 Refer to the technical specification (ETAD-E3162-00) for wiring and assembly procedure.

Applicable Cable

Items		Applicable Condition
Conductor	Size	AWG#28 to 26
	Composition	7 stranded
	Material	Annealed copper wire
Insulation O. D.		φ 0.95 to 1.05mm
Braid Shield		Tin plating
Sheath O. D.		φ 6.3 to 7.2mm

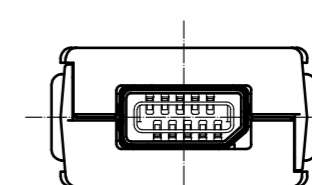
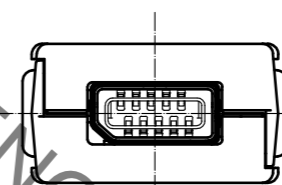


2. This product (Type B) is used for non Ethernet applications like signaling, serial or other industrial bus communication systems.
 Please use Type A for 10/100Mbit/s and 1/10 Gbit/s Ethernet communication.

Mating Shape

Type A

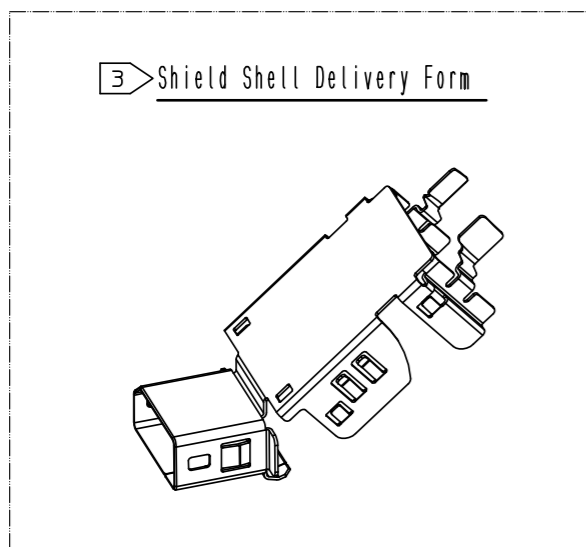
Type B



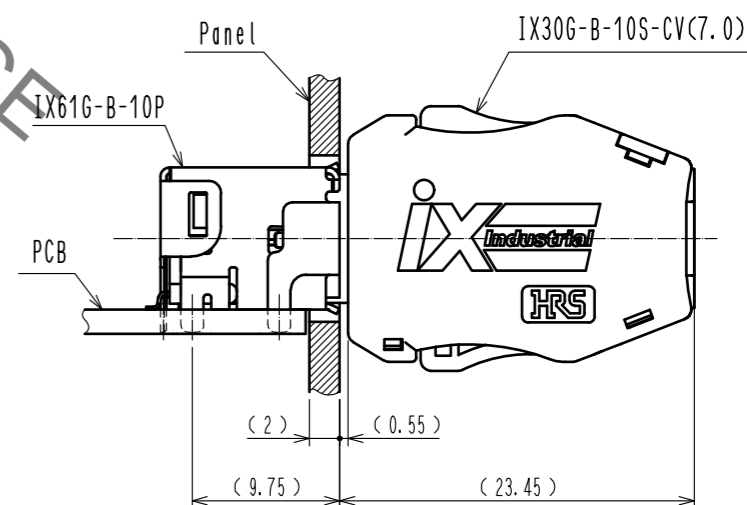
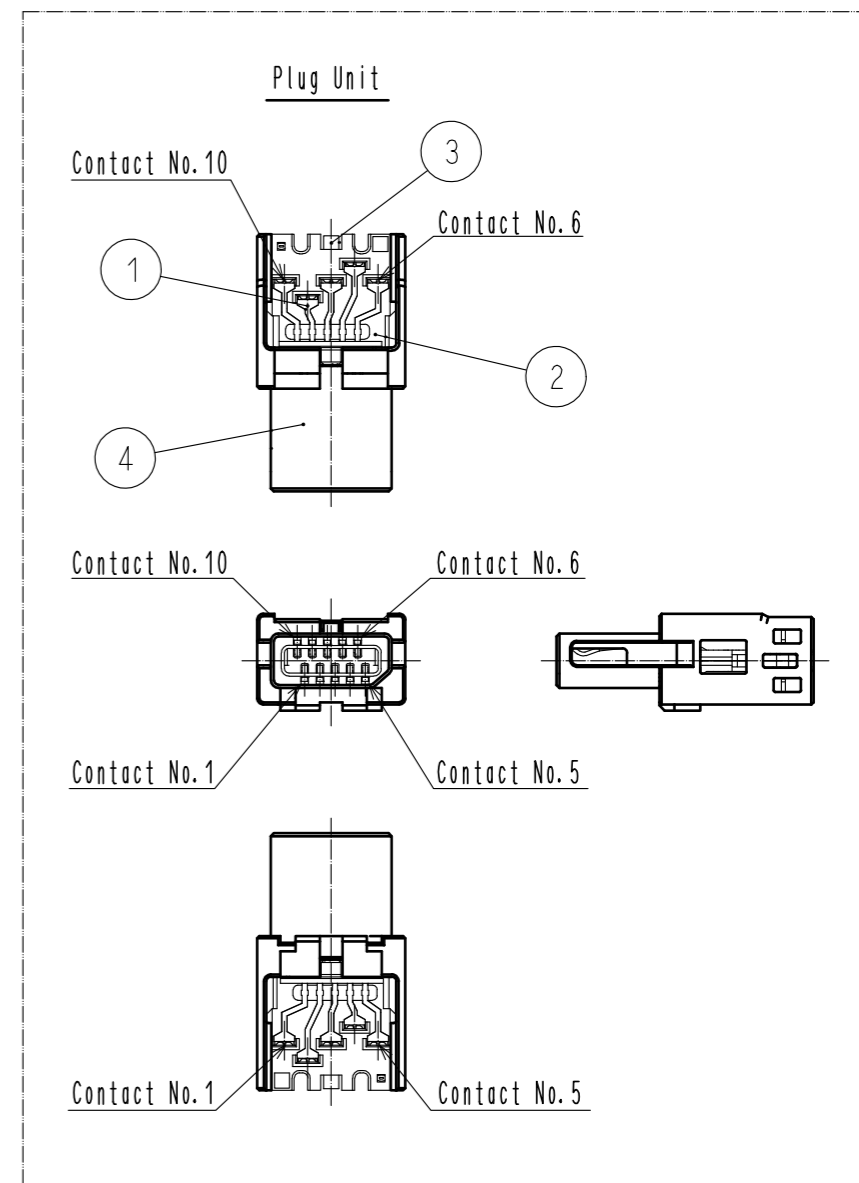
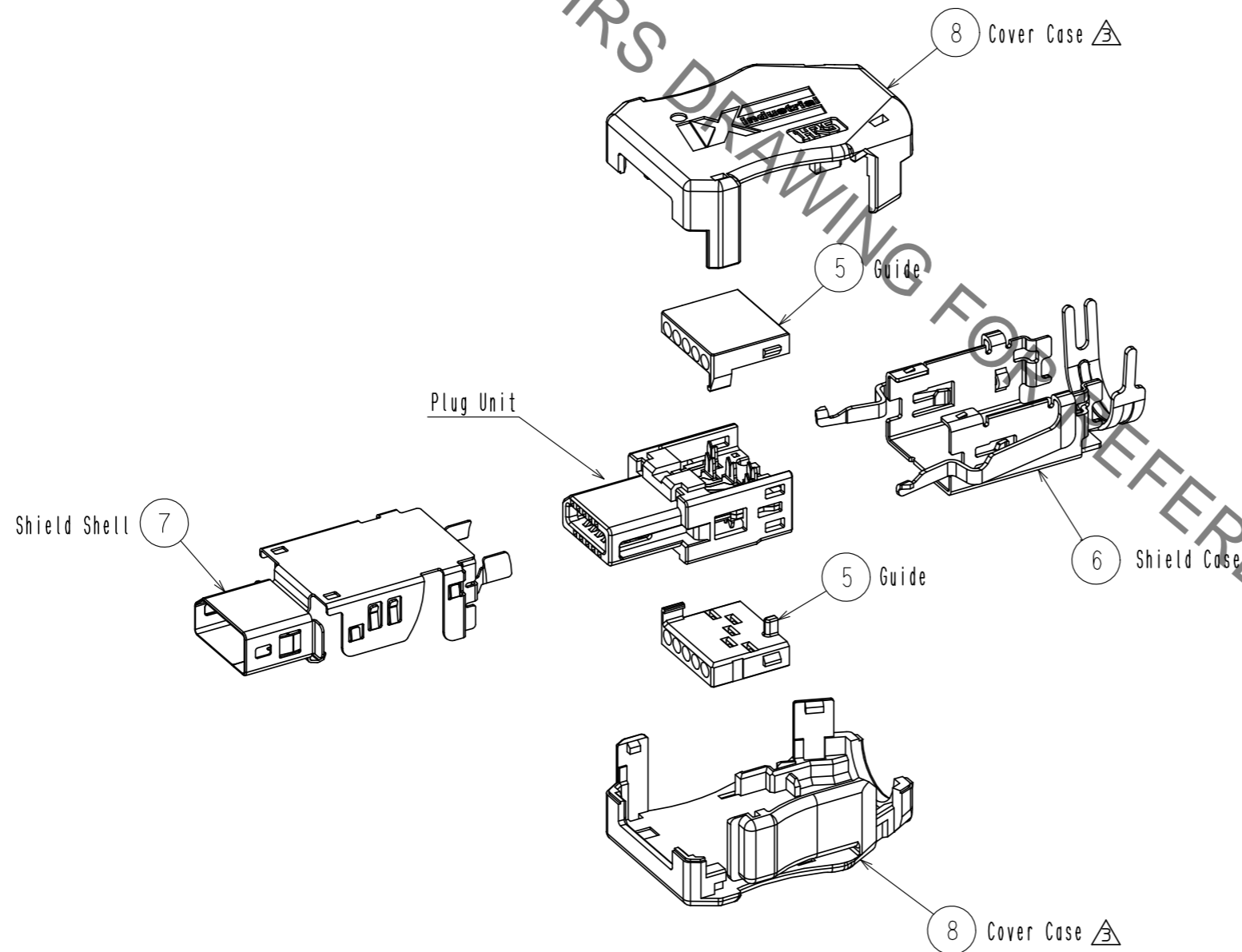
③ This product except plug unit is packed separately by the types of parts.
 Shield Shell is packed in pre-bended state. (See next page.)

3	Stainless Steel		8	PC	Dark gray, UL94V-0
2	PA	Black, UL94V-0	7	Stainless Steel	Nickel 0.2 μm min
1	Copper Alloy	Contact area : Palladium-Nickel 0.75 μm min + Gold 0.05 μm min	6	Stainless Steel	Nickel 1 μm min
		Wiring area : Gold 0.03 μm min	5	PC	Clear, UL94V-0
		Under plating : Nickel 2 μm min	4	PA	Black, UL94V-0
NO.	MATERIAL	FINISH . REMARKS	NO.	MATERIAL	FINISH . REMARKS
UNITS mm		SCALE 2 : 1	COUNT 2	DESCRIPTION OF REVISIONS DIS-E-00001437	
DESIGNED SG. CHAMURA		CHECKED KI. NAGANUMA		DATE 18.07.02	
APPROVED : RI. TAKAYASU 17.03.28		DRAWING NO. EDC-129487-01-00			
CHECKED : KI. NAGANUMA 17.03.28		PART NO. IX30G-B-10S-CV(7.0)(01)			
DESIGNED : HT. SATO 17.03.28		CODE NO. CL251-0025-0-01			
DRAWN : HT. SATO 17.03.28					

Apr.1.2019 Copyright 2019 HIROSE ELECTRIC CO., LTD. All Rights Reserved.
 In case of consideration for using Automotive equipment / device which demand high reliability, kindly contact our sales window correspondents.



Product Structure



HRS	DRAWING NO.	EDC-129487-01-00
	PART NO.	IX30G-B-10S-CV(7.0)(01)
	CODE NO.	CL251-0025-0-01
		\triangle 2/2