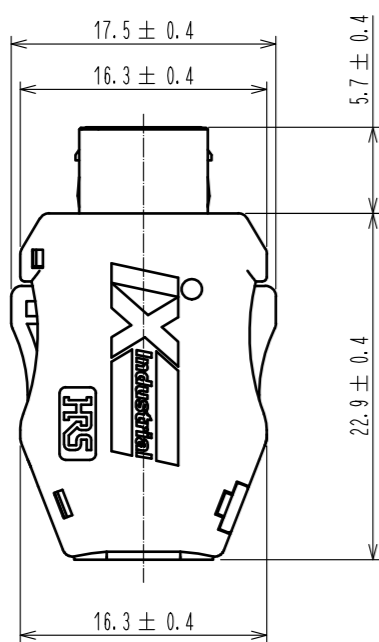
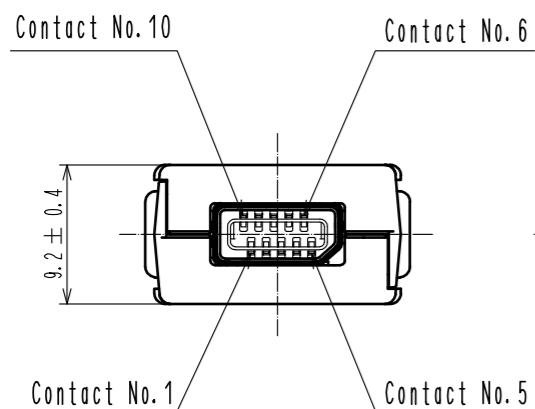
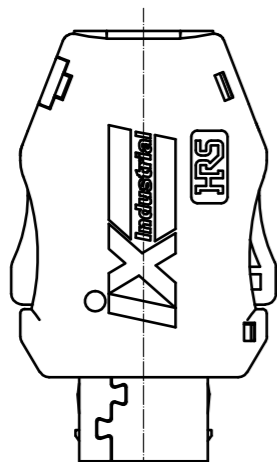
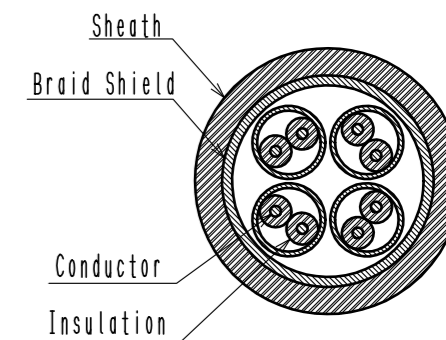


Apr.1.2019 Copyright 2019 HIROSE ELECTRIC CO., LTD. All Rights Reserved.
In case of consideration for using Automotive equipment / device which demand high reliability, kindly contact our sales window correspondents.



Notes. 1. Applicable cable condition is shown below.
In case of using a not applicable cable, please contact our sales representative.
Refer to the technical specification (ETAD-E3164-00) for wiring and assembly procedure.

Applicable Cable	
Items	Applicable Condition
Conductor size	AWG # 28-22
Insulation O.D.	φ 1.55 mm MAX.
Braid Shield	Tin plating
Sheath O.D.	φ 6.3 -7.2 mm

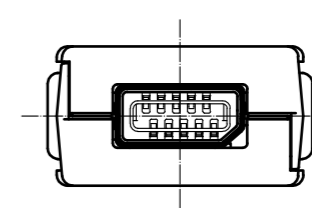
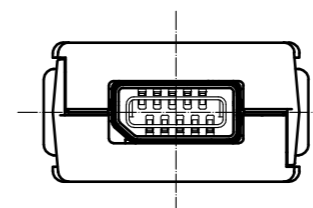


2. This product (Type B) is used for non Ethernet applications like signaling, serial or other industrial bus communication systems.
Please use Type A for 10/100Mbit/s and 1/10 Gbit/s Ethernet communication.

Mating Shape

Type A

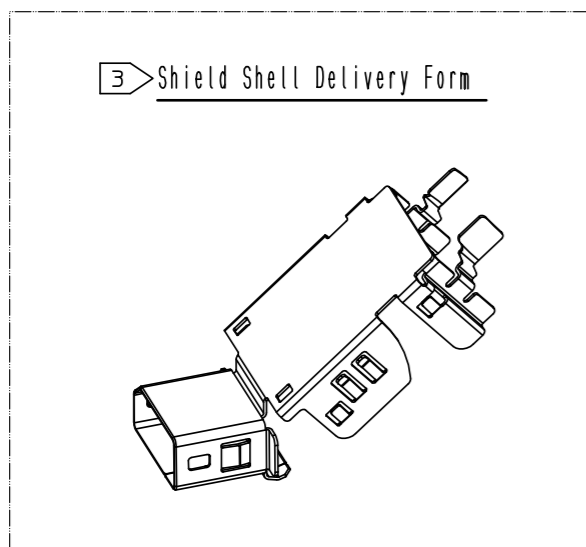
Type B



3. This product except plug unit is packed separately by the types of parts.
Shield Shell is packed in pre-bended state. (See next page.)

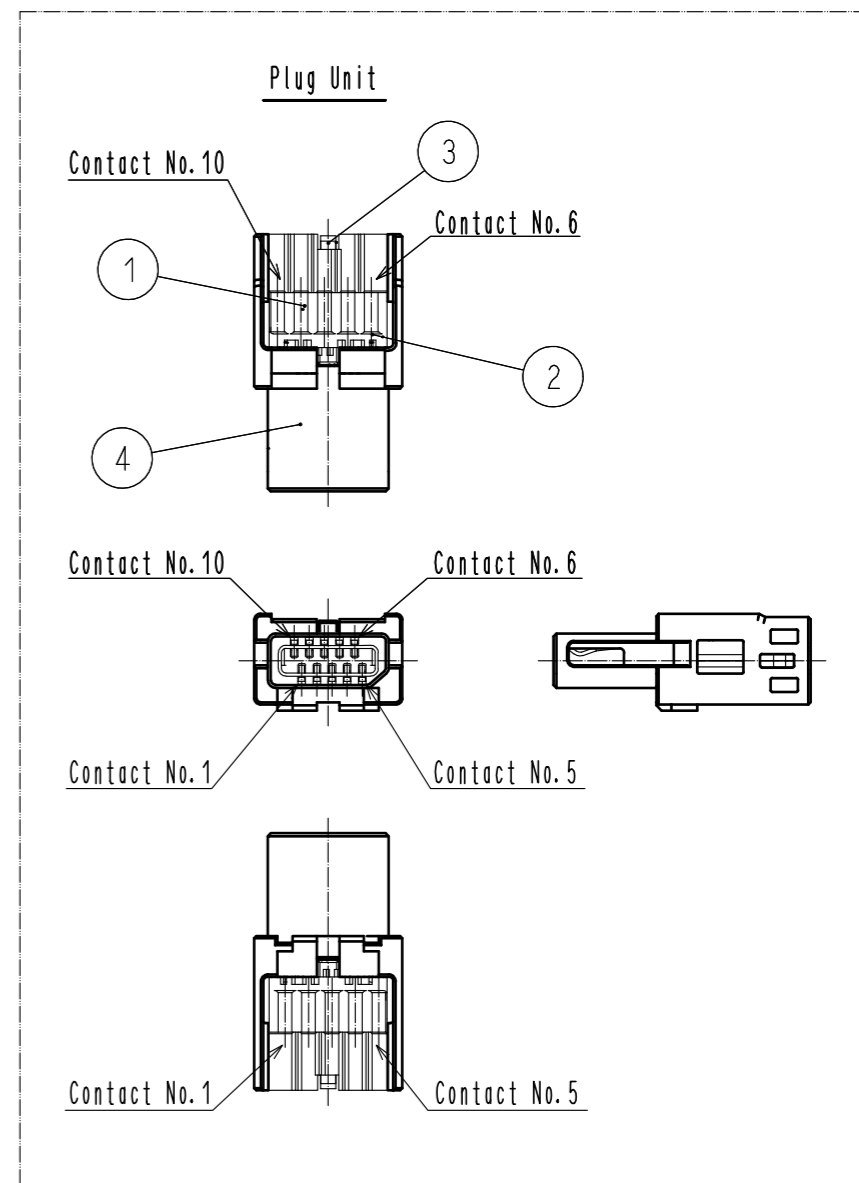
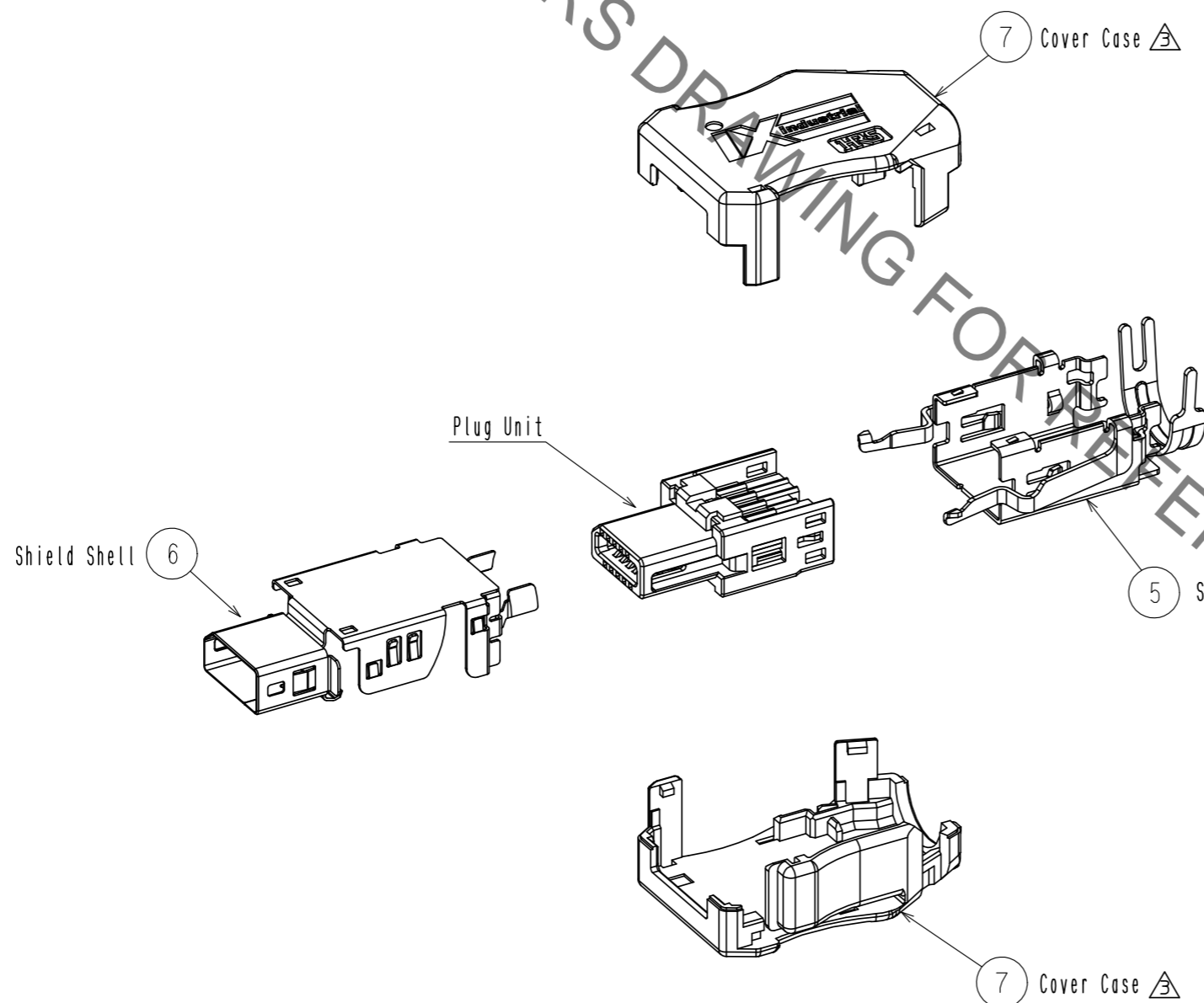
3	Stainless Steel		7	PC	Dark gray, UL94V-0
2	PA	Black, UL94V-0	6	Stainless Steel	Nickel 0.2 μm min
1	Copper Alloy	Contact area : Gold 0.2 μm min Wiring area : Gold 0.03 μm min Under plating : Nickel 2 μm min	5	Stainless Steel	Nickel 1 μm min
			4	PA	Black, UL94V-0
NO.	MATERIAL	FINISH . REMARKS	NO.	MATERIAL	FINISH . REMARKS
UNITS mm		SCALE 2 : 1	COUNT 2	DESCRIPTION OF REVISIONS DIS-E-00001437	
DESIGNED SG. CHAMURA			CHECKED KI. NAGANUMA		
DATE 18.07.02			DRAWING NO. EDC-129507-00-00		
APPROVED : RI. TAKAYASU 17.03.28			PART NO. IX40G-B-10S-CV(7.0)		
CHECKED : KI. NAGANUMA 17.03.27			CODE NO. CL251-0032-0-00		
DESIGNED : TS. SAKAIZAWA 17.03.27			1/2		
DRAWN : TS. SAKAIZAWA 17.03.27					

Apr.1.2019 Copyright 2019 HIROSE ELECTRIC CO., LTD. All Rights Reserved.
 In case of consideration for using Automotive equipment / device which demand high reliability, kindly contact our sales window correspondents.

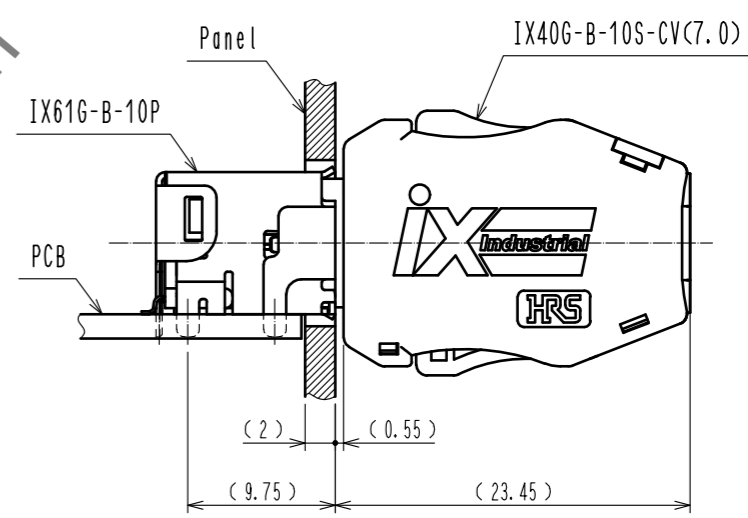


HRS DRAWING FOR REFERENCE

Product Structure



Mating Condition



HRS	DRAWING NO.	EDC-129507-00-00	3/2
	PART NO.	IX40G-B-10S-CV(7.0)	
	CODE NO.	CL251-0032-0-00	