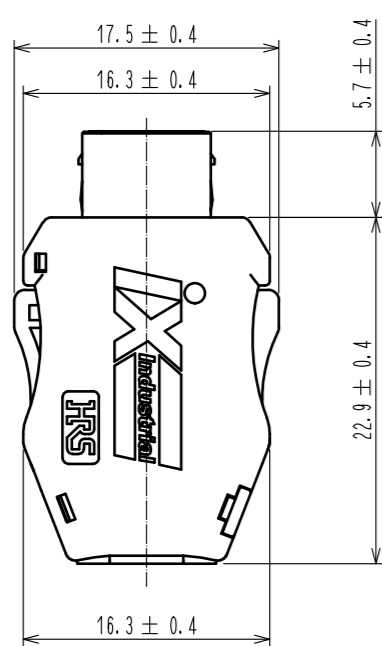
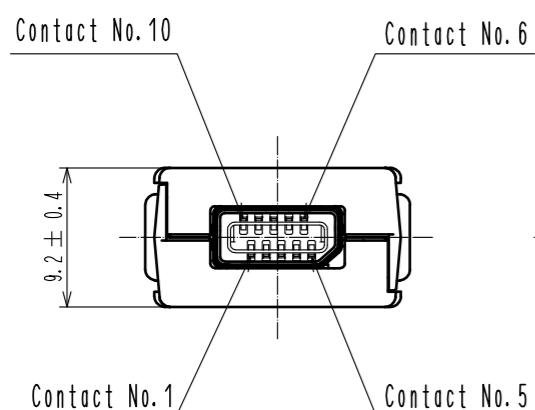
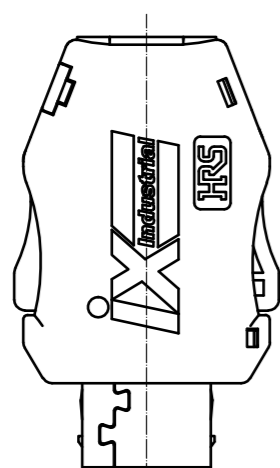
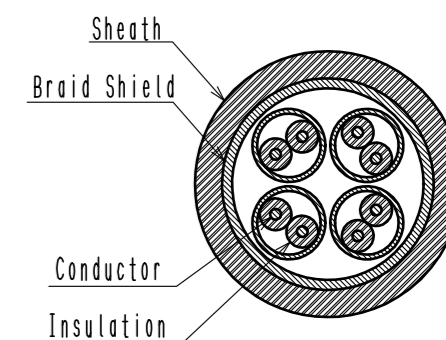


Apr.1.2019 Copyright 2019 HIROSE ELECTRIC CO., LTD. All Rights Reserved.
In case of consideration for using Automotive equipment / device which demand high reliability, kindly contact our sales window correspondents.

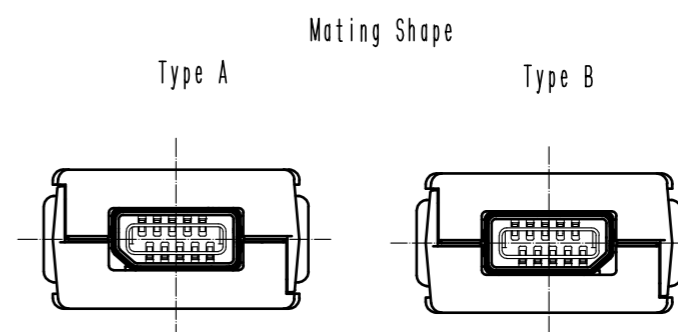


Notes. 1. Applicable cable condition is shown below.
In case of using a not applicable cable, please contact our sales representative.
Refer to the technical specification (ETAD-E3164-00) for wiring and assembly procedure.

| Applicable Cable | |
|------------------|----------------------|
| Items | Applicable Condition |
| Conductor size | AWG # 28-22 |
| Insulation O.D. | φ 1.55 mm MAX. |
| Braid Shield | Tin plating |
| Sheath O.D. | φ 6.3 -7.2 mm |



2. This product (Type B) is used for non Ethernet applications
like signaling, serial or other industrial bus communication systems.
Please use Type A for 10/100Mbit/s and 1/10 Gbit/s Ethernet communication.



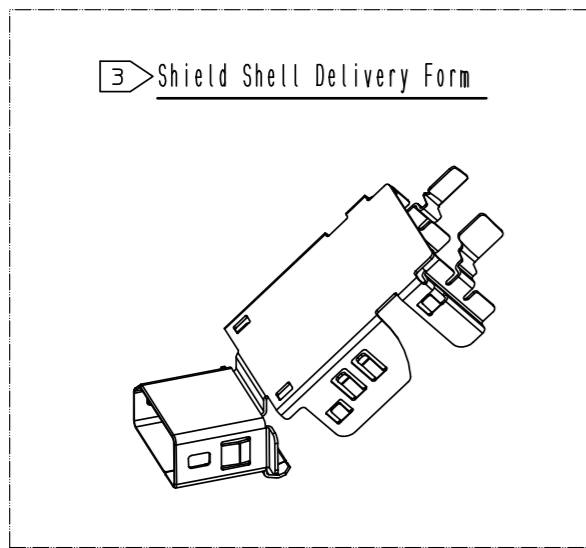
3. This product except plug unit is packed separately by the types of parts.
Shield Shell is packed in pre-bended state. (See next page.)

| NO. | MATERIAL | FINISH . | REMARKS | NO. | MATERIAL | FINISH . | REMARKS |
|-----|-----------------|----------|---|-----|-----------------|----------|--------------------|
| 3 | Stainless Steel | | | 7 | PC | | Dark gray, UL94V-0 |
| 2 | PA | | Black, UL94V-0 | 6 | Stainless Steel | | Nickel 0.2 μm min |
| 1 | Copper Alloy | | Contact area : Palladium-Nickel 0.75 μm min + Gold 0.05 μm min | 5 | Stainless Steel | | Nickel 1 μm min |
| | | | Wiring area : Gold 0.03 μm min | 4 | PA | | Black, UL94V-0 |
| | | | Under plating : Nickel 2 μm min | | | | |

| UNITS | SCALE | COUNT | DESCRIPTION OF REVISIONS | DESIGNED | CHECKED | DATE |
|-------|-------|-------|--------------------------|-------------|--------------|----------|
| mm | 2 : 1 | 2 | DIS-E-00001437 | SG. CHAMURA | KI. NAGANUMA | 18.07.02 |

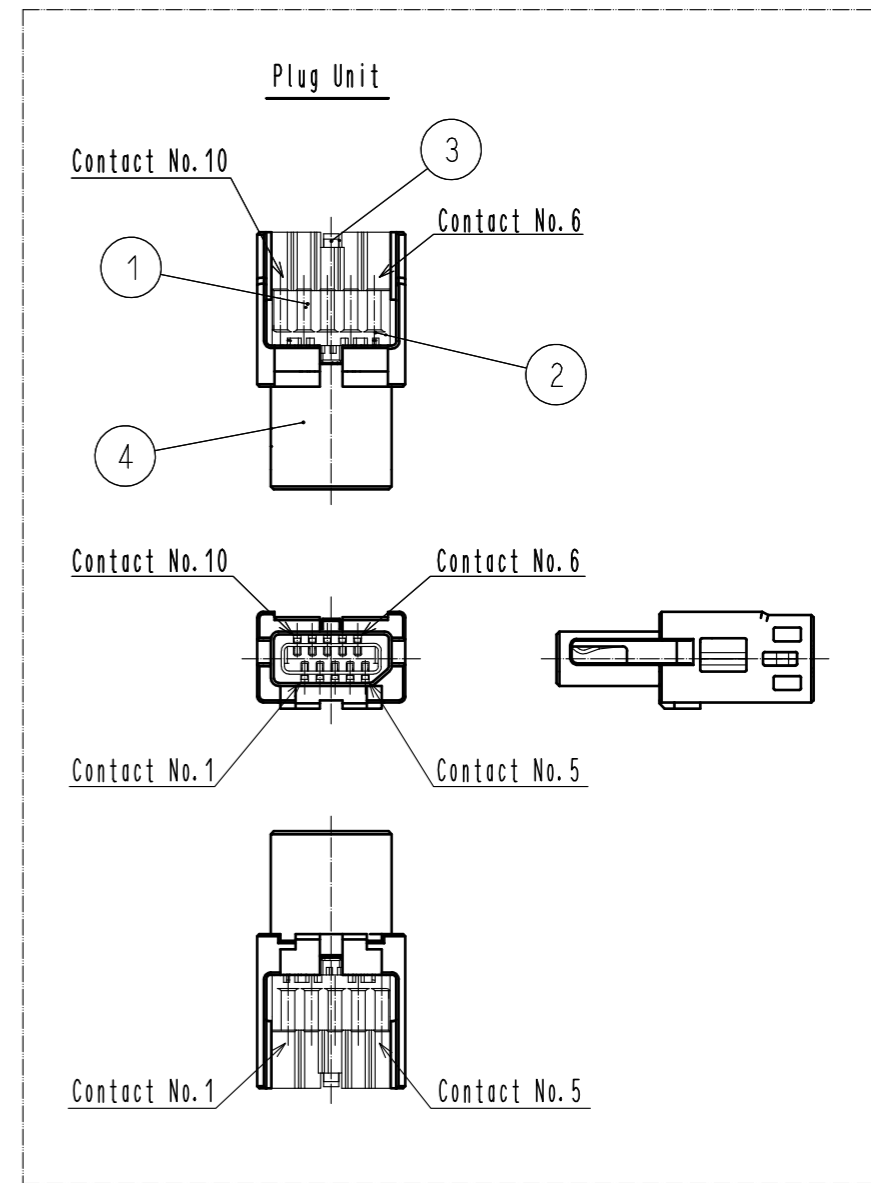
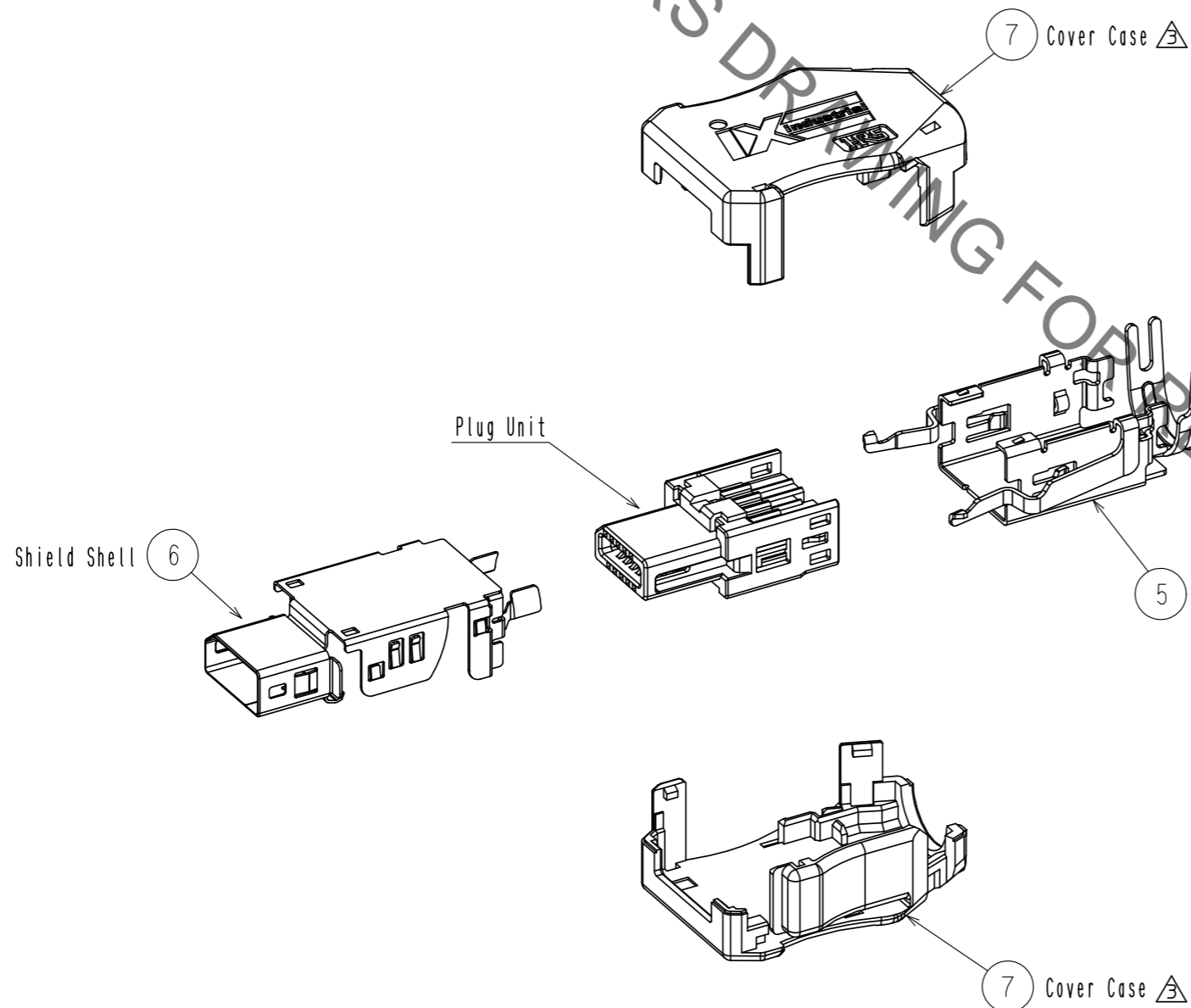
| | | | | | |
|----------|-----------------|----------|-------------|-------------------------|-----|
| APPROVED | : RI. TAKAYASU | 17.04.11 | DRAWING NO. | EDC-129507-01-00 | |
| CHECKED | : KI. NAGANUMA | 17.04.11 | PART NO. | IX40G-B-10S-CV(7.0)(01) | |
| DESIGNED | : TS. SAKAIZAWA | 17.04.11 | CODE NO. | CL251-0032-0-01 | 1/2 |
| DRAWN | : TS. SAKAIZAWA | 17.04.11 | | | |

Apr.1.2019 Copyright 2019 HIROSE ELECTRIC CO., LTD. All Rights Reserved.
 In case of consideration for using Automotive equipment / device which demand high reliability, kindly contact our sales window correspondents.

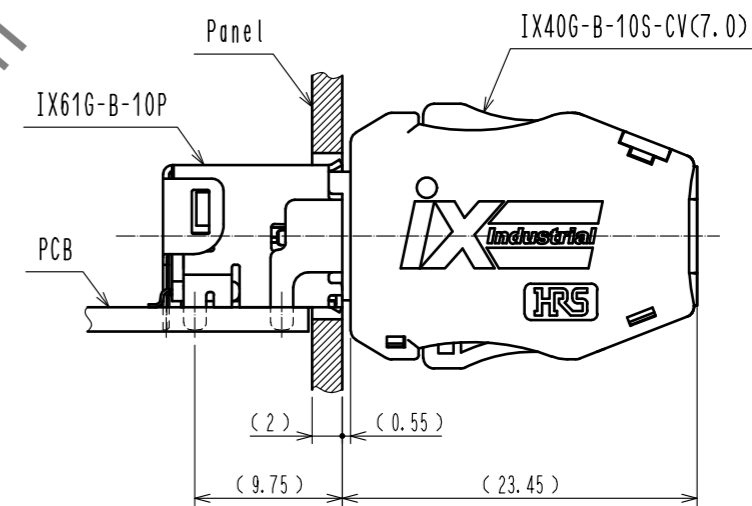


HRS DRAWING FOR REFERENCE

Product Structure



Mating Condition



| | | | |
|------------|-------------|---|---|
| HRS | DRAWING NO. | EDC-129507-01-00 | |
| | PART NO. | IX40G-B-10S-CV(7.0)(01) | |
| | CODE NO. | CL251-0032-0-01 | |
| | | <table border="1" style="display: inline-table;"> <tr> <td style="text-align: center;">3</td> <td style="text-align: center;">2</td> </tr> </table> | 3 |
| 3 | 2 | | |