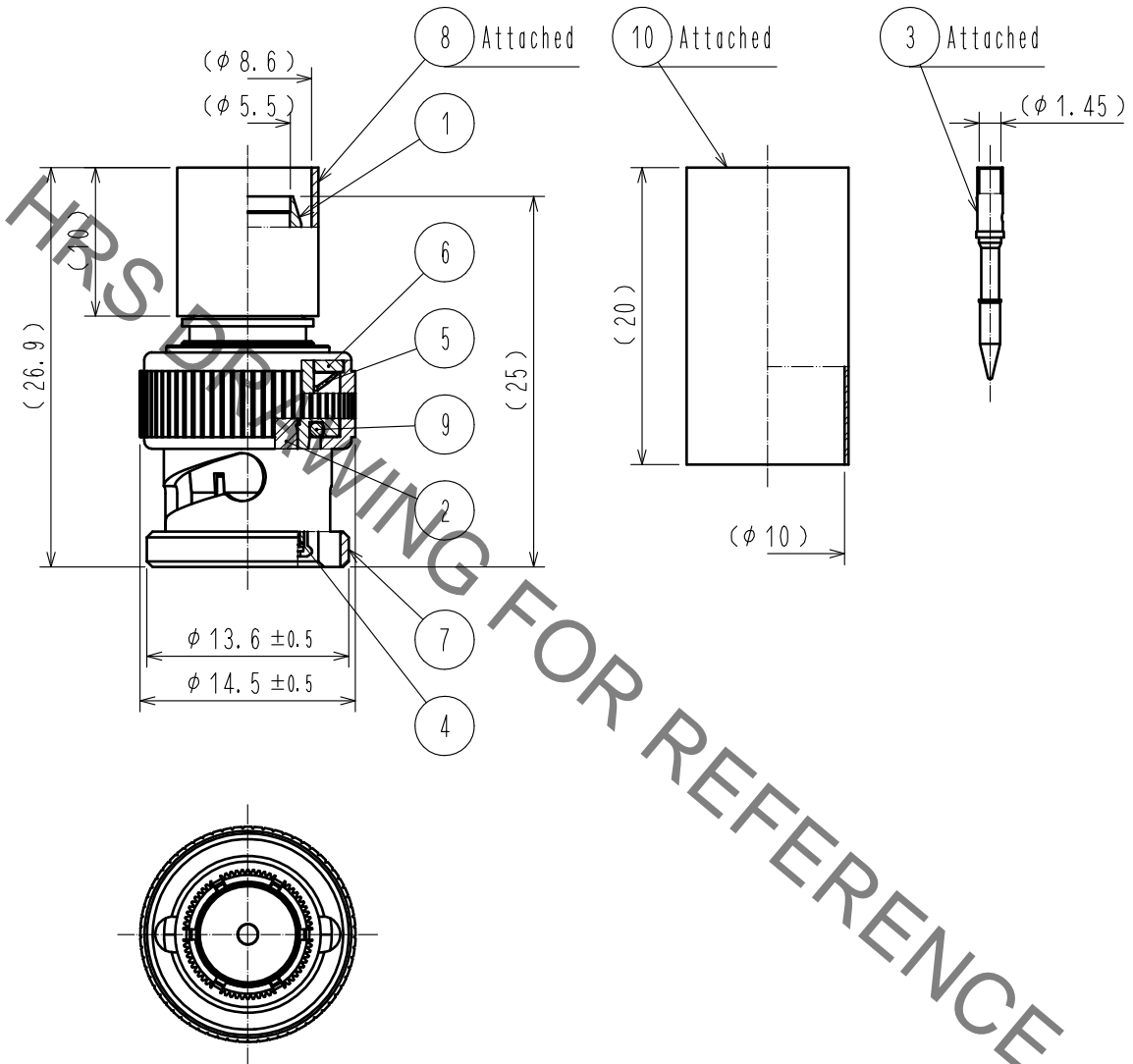


Sep.1.2021 Copyright 2021 HIROSE ELECTRIC CO., LTD. All Rights Reserved.
In case of consideration for using Automotive equipment / device which demand high reliability, kindly contact our sales window correspondents.

【 Assemble tool 】 For center contact crimping : body : MIL-DTL-M22520/7-01
 For center contact crimping : positioner : BNC75-12G/CRMD (CL902-3264-0)
 For outer conductor crimping : body : MIL-DTL-M22520/5-01
 For outer conductor crimping : die : MIL-DTL-M22520/5-55

※Other products can be used when die size is 0.324 inch HEX and width 0.4 inch.



| 5 | BERYLLIUM COPPER | SILVER PLATING | 10 | POLYOLEFIN | HEAT SHRINK TUBING(BLACK) |
|-----|------------------|------------------|-----|-----------------|---------------------------|
| 4 | STAINLESS STEEL | NICKEL PLATING | 9 | SILICONE RUBBER | |
| 3 | BRASS | GOLD PLATING | 8 | COPPER ALLOY | NICKEL PLATING |
| 2 | PTFE | | 7 | BRASS | NICKEL PLATING |
| 1 | BRASS | NICKEL PLATING | 6 | BRASS | NICKEL PLATING |
| NO. | MATERIAL | FINISH . REMARKS | NO. | MATERIAL | FINISH . REMARKS |

| | | | | | | | | |
|---------------------------|--|-------------------------|-----------|--------------------------|--------------------|---------|------|---|
| UNITS mm | | SCALE 2 : 1 | COUNT | DESCRIPTION OF REVISIONS | DESIGNED | CHECKED | DATE | |
| HIROSE ELECTRIC CO., LTD. | | APPROVED : TO. KATAYAMA | 20190520 | DRAWING NO. | EDC-382240-00-01 | | | |
| | | CHECKED : TO. KATAYAMA | 20190520 | PART NO. | BNC(75)-P-5.5C-12G | | | |
| | | DESIGNED : RO. YOKOYAMA | 20190520 | CODE NO. | CL302-0091-0-00 | | 1 | 1 |
| | | DRAWN : ST. KISHI | 20190520 | | | | | |