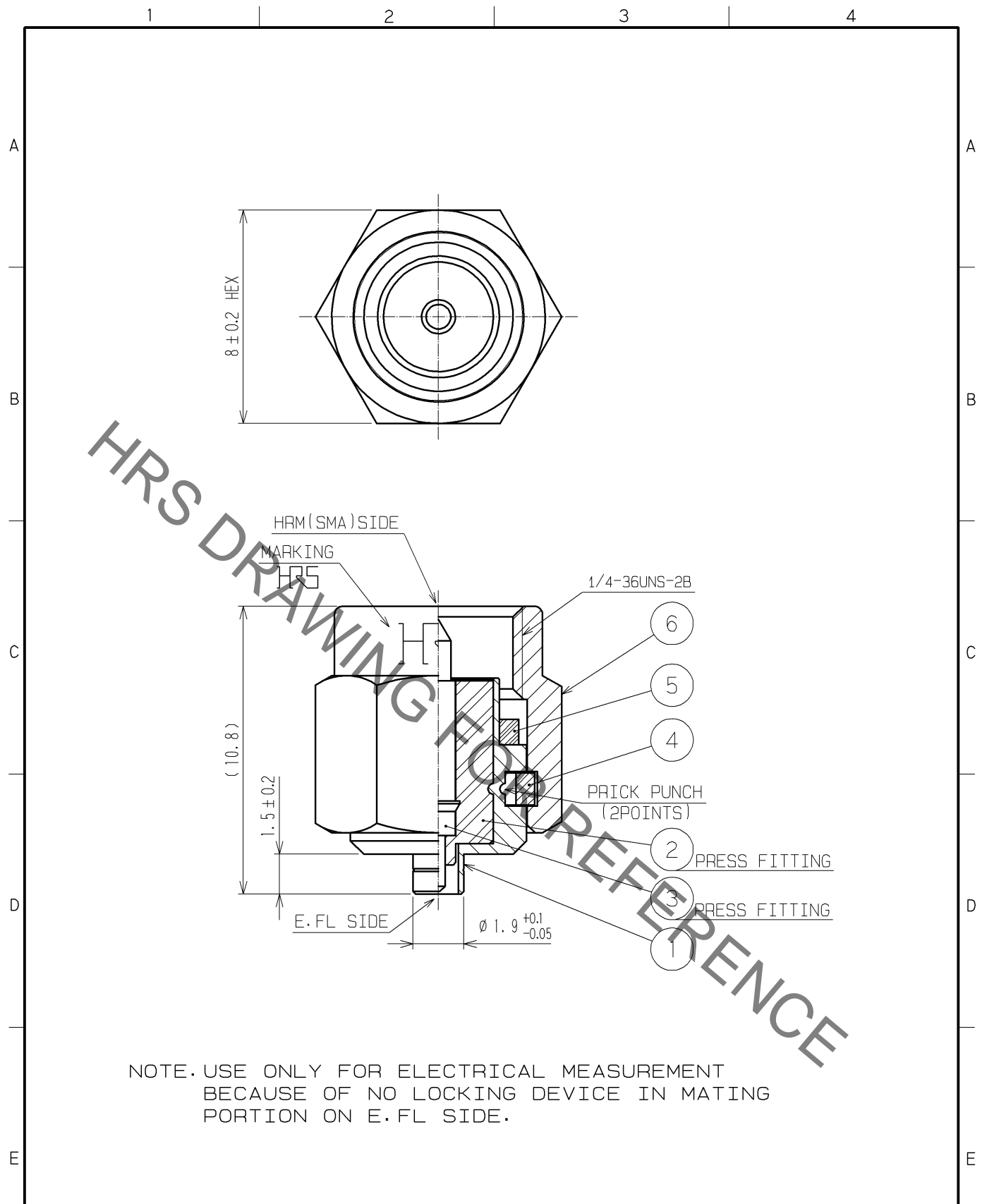


Jan.1.2021 Copyright 2021 HIROSE ELECTRIC CO., LTD. All Rights Reserved.  
In case of consideration for using Automotive equipment / device which demand high reliability, kindly contact our sales window correspondents.



NOTE. USE ONLY FOR ELECTRICAL MEASUREMENT  
BECAUSE OF NO LOCKING DEVICE IN MATING  
PORTION ON E. FL SIDE.

3	BRASS	GOLD PLATING	6	STAINLESS STEEL	PASSIVATE
2	PTFE		5	SILICONE RUBBER	( RED )
1	STAINLESS STEEL	NECKEL PLATING	4	BERYLLIUM COPPER	NICKEL PLATING
部番	材 質	处 理 , 備 考	部番	材 質	处 理 , 備 考
UNITS mm		SCALE 5 : 1		Δの数	訂 正 記 事
		承 認 : IJ.MITANI	07.01.05	図番 :	EDC4-130516-40
		検 図 : KY.SHIMIZU	06.12.28	製品名 :	HRMP-E. FLJ ( 40 )
		設 計 : MT.KANEKO	06.12.28	製品	
		製 図 : TS.KANEKO	06.12.27	コード	CL311-0279-8-40