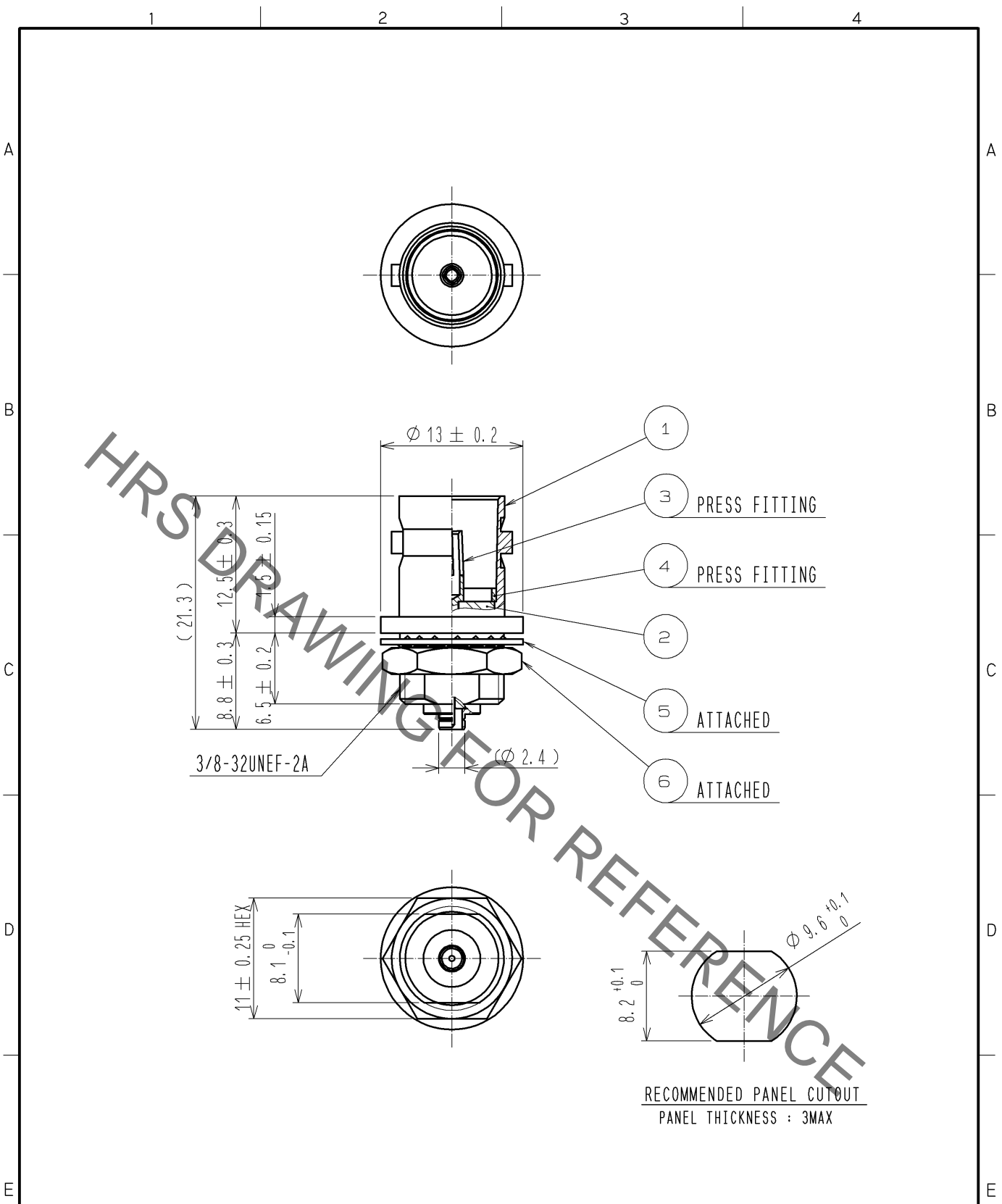


Apr.1.2020 Copyright 2020 HIROSE ELECTRIC CO., LTD. All Rights Reserved.
 In case of consideration for using Automotive equipment / device which demand high reliability, kindly contact our sales window correspondents.



RECOMMENDED PANEL CUTOUT
 PANEL THICKNESS : 3MAX

RoHS COMPLIANT

3	BERYLLIUM COPPER	GOLD PLATING	6	BRASS	NICKEL PLATING
2	PTFE		5	STEEL	NICKEL PLATING
1	BRASS	NICKEL PLATING	4	BRASS	NICKEL PLATING
NO.	MATERIAL	FINISH , REMARKS	NO.	MATERIAL	FINISH , REMARKS

UNITS mm		SCALE 2 : 1	COUNT 	DESCRIPTION OF REVISIONS	DESIGNED	CHECKED	DATE
HIROSE ELECTRIC CO., LTD.				APPROVED : MH. YAMANE 10.12.24 CHECKED : NK. NINOMIYA 10.12.22 DESIGNED : MT. KANEKO 10.12.22 DRAWN : KH. HIKITA 10.12.17	DRAWING NO. EDC4-132230-40 PART NO. BNC<75>J-H. FLJ-BPA<40> CODE NO. CL311-0302-8-40		