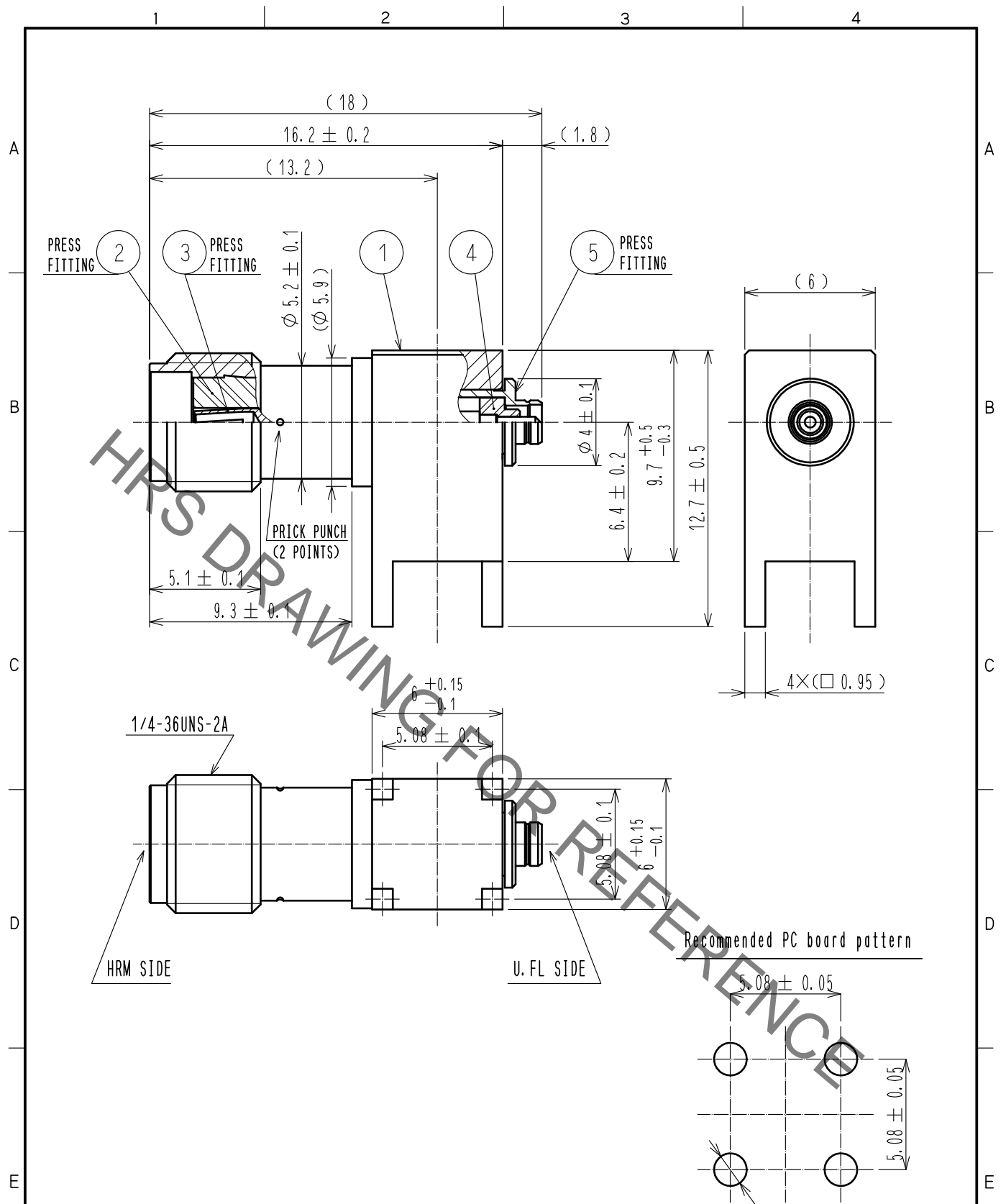


Nov. 1. 2020 Copyright 2020 HIROSE ELECTRIC CO., LTD. All Rights Reserved.
 In case of consideration for using Automotive equipment / device which demand high reliability, kindly contact our sales window correspondents.



RoHS COMPLIANT

| 3 | BERYLLIUM COPPER | GOLD PLATING | | | | | |
|-----|------------------|----------------|---------|-------|----------------|----------|---------|
| 2 | PTFE | | 5 | BRASS | NICKEL PLATING | | |
| 1 | BRASS | NICKEL PLATING | 4 | PTFE | | | |
| NO. | MATERIAL | FINISH . | REMARKS | NO. | MATERIAL | FINISH . | REMARKS |

| | | | | | | | |
|-------------|--|----------------|-----------|--------------------------|----------|---------|------|
| UNITS mm | | SCALE 4 : 1 | COUNT | DESCRIPTION OF REVISIONS | DESIGNED | CHECKED | DATE |
|-------------|--|----------------|-----------|--------------------------|----------|---------|------|

| | | | | |
|---------------------------|-------------------------|------------|-------------|------------------|
| HIROSE ELECTRIC CO., LTD. | APPROVED : TO. KATAYAMA | 17. 05. 29 | DRAWING NO. | EDC-317236-00-00 |
| | CHECKED : TO. KATAYAMA | 17. 05. 29 | PART NO. | HRMJ-U. FLJ-PC-1 |
| | DESIGNED : YI. FUNADA | 17. 05. 29 | CODE NO. | CL311-0432-3-00 |
| | DRAWN : YI. FUNADA | 17. 05. 29 | | |