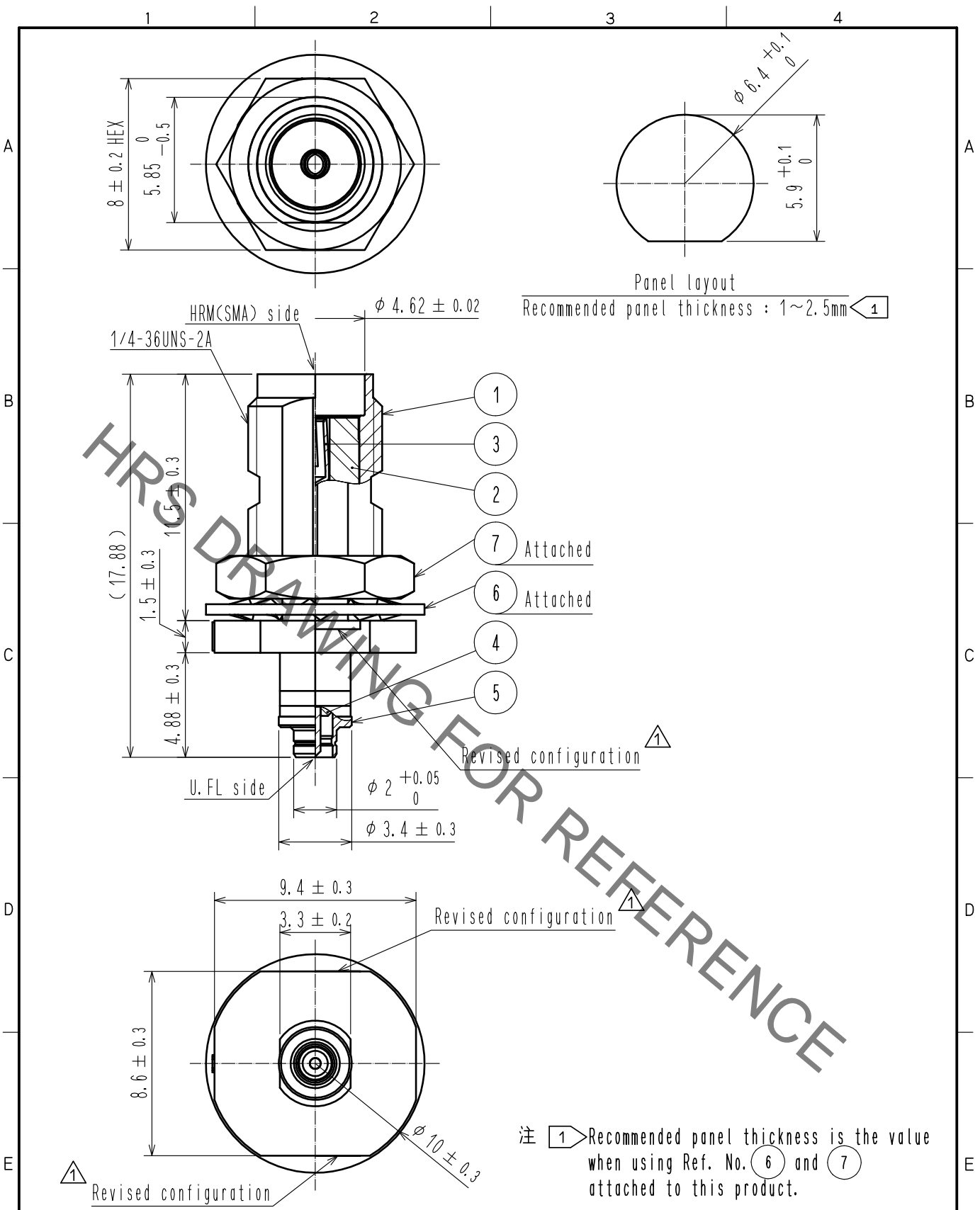


Nov.1.2020 Copyright 2020 HIROSE ELECTRIC CO., LTD. All Rights Reserved.
In case of consideration for using Automotive equipment / device which demand high reliability, kindly contact our sales window correspondents.



HRS DRAWING FOR REFERENCE

注 ① Recommended panel thickness is the value when using Ref. No. ⑥ and ⑦ attached to this product.

4	PTFE			7	BRASS	NICKEL PLATING	
3	BERYLLIUM COPPER	GOLD PLATING		6	BRASS	NICKEL PLATING	
2	PTFE			5	BRASS	NICKEL PLATING	
1	ZINC ALLOY	NICKEL PLATING					
NO.	MATERIAL	FINISH	REMARKS	NO.	MATERIAL	FINISH	REMARKS

UNITS mm		SCALE 4 : 1	COUNT ① 3	DESCRIPTION OF REVISIONS DIS-D-00004028	DESIGNED SR. AIHARA	CHECKED KY. SHIMIZU	DATE 20190509
HRS HIROSE ELECTRIC CO., LTD. APPROVED : TO. KATAYAMA 20190118 CHECKED : KY. SHIMIZU 20190118 DESIGNED : SR. AIHARA 20190118 DRAWN : SR. AIHARA 20190118				DRAWING NO. EDC-386023-00-00 PART NO. HRMJ-U. FLJ-BPAD-5 CODE NO. CL311-1004-0-00			