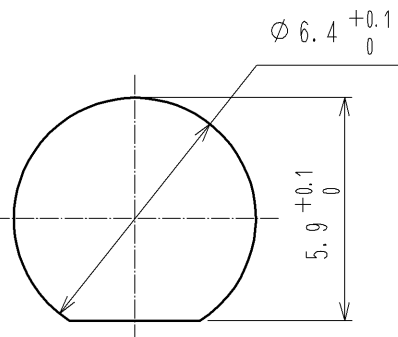
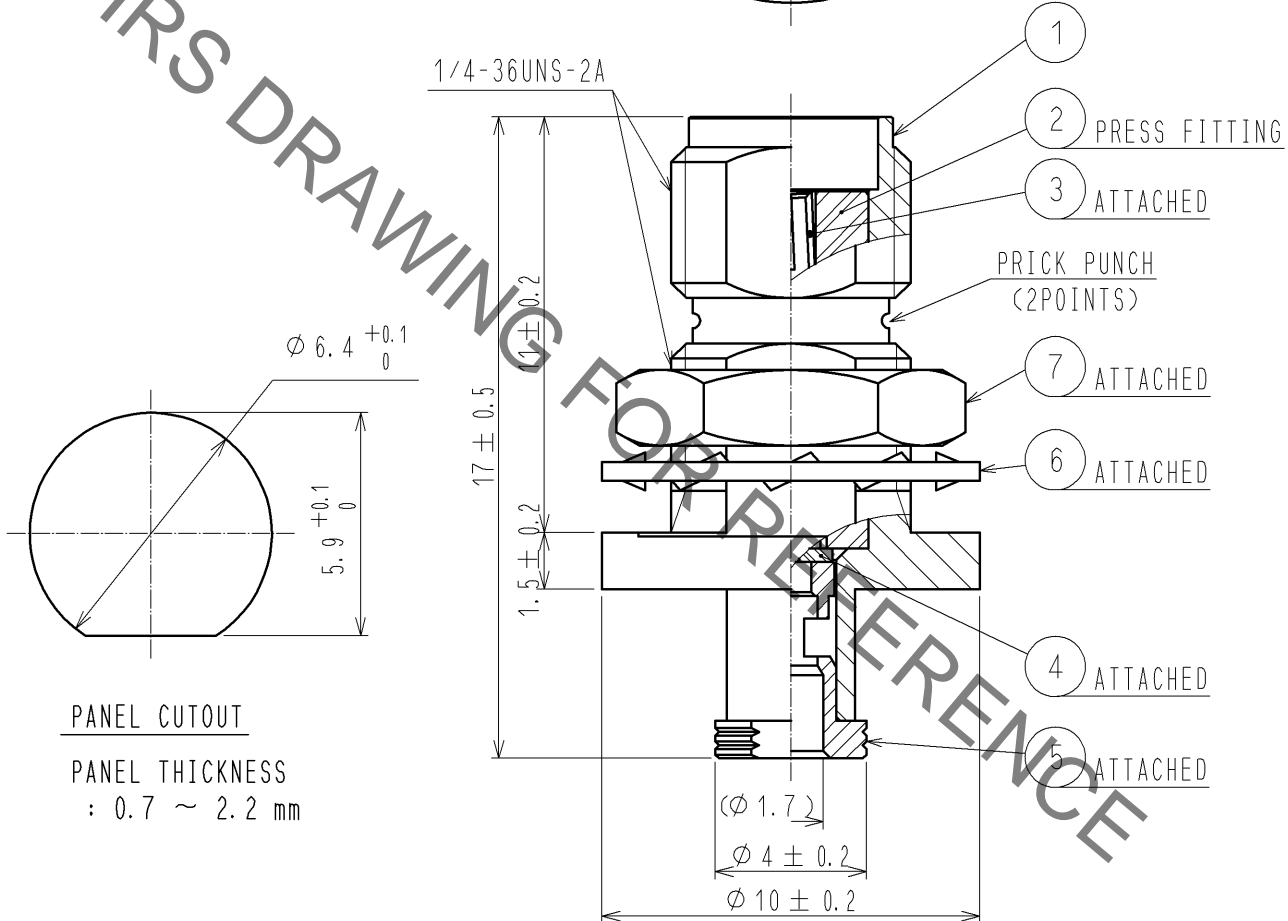
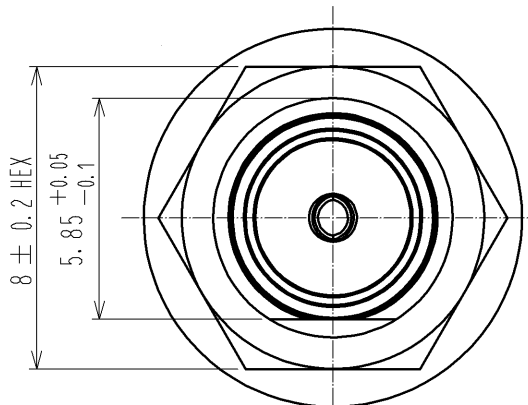


Nov.1.2020 Copyright 2020 HIROSE ELECTRIC CO., LTD. All Rights Reserved.
In case of consideration for using Automotive equipment / device which demand high reliability, kindly contact our sales window correspondents.

CABLE ASSEMBLY TOOL
 FOR SOLDERING : HRM-200/SO-MD
 FOR PRESS FITTING : HRM-200-BPJBN/CV-MD



PANEL CUTOUT
 PANEL THICKNESS
 : 0.7 ~ 2.2 mm

RoHS COMPLIANT

4	PTFE		7	BRASS	NICKEL PLATING
3	BERYLLIUM COPPER	GOLD PLATING	6	PHOSPHOR BRONZE	NICKEL PLATING
2	PTFE		5	BRASS	GOLD PLATING
1	BRASS	NICKEL PLATING			
NO.	MATERIAL	FINISH . REMARKS	NO.	MATERIAL	FINISH . REMARKS

UNITS mm		SCALE 5 : 1	COUNT 	DESCRIPTION OF REVISIONS	DESIGNED	CHECKED	DATE
-------------	--	----------------	-----------	--------------------------	----------	---------	------

HRS HIROSE ELECTRIC CO., LTD.	APPROVED : TS. NOBE	11. 09. 24	DRAWING NO.	EDC4-305376-40
	CHECKED : NK. NINOMIYA	11. 09. 23	PART NO.	HRM-200-088BPJBN<40>
	DESIGNED : YI. FUNADA	11. 09. 23	CODE NO.	CL323-0804-6-40
	DRAWN : YI. FUNADA	11. 09. 23		1/1