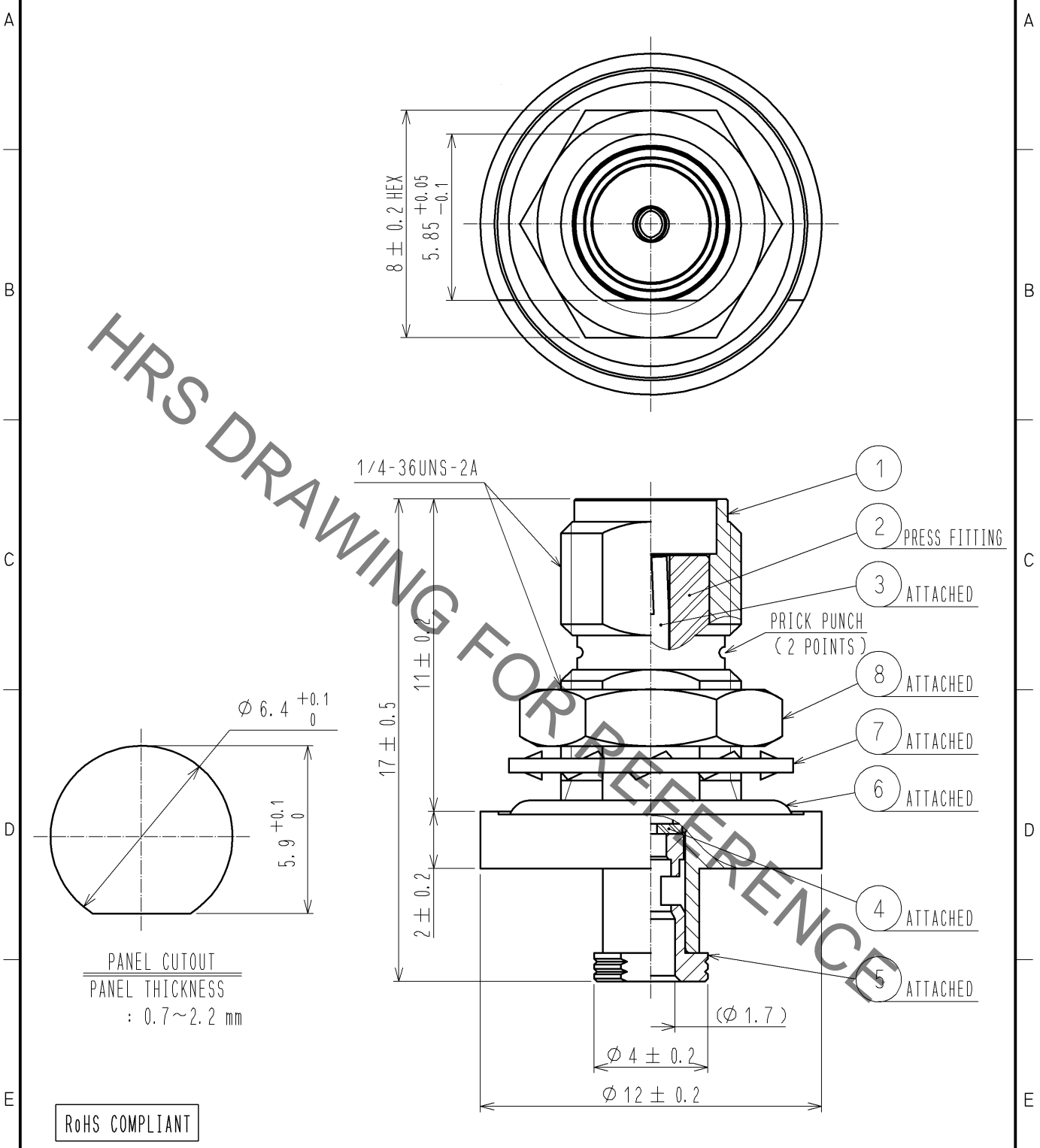


Dec.1.2020 Copyright 2020 HIROSE ELECTRIC CO., LTD. All Rights Reserved.
In case of consideration for using Automotive equipment / device which demand high reliability, kindly contact our sales window correspondents.

CABLE ASSEMBLY TOOL
 FOR SOLDERING : HRM-200/SO-MD
 FOR PRESS FITTING : HRM-200-BPJBN/CV-MD



4	PTFE		8	BRASS	NICKEL PLATING
3	BERYLLIUM COPPER	GOLD PLATING	7	PHOSPHOR BRONZE	NICKEL PLATING
2	PTFE		6	SILICONE RUBBER	(RED)
1	BRASS	NICKEL PLATING	5	BRASS	GOLD PLATING
NO.	MATERIAL	FINISH . REMARKS	NO.	MATERIAL	FINISH . REMARKS

UNITS mm		SCALE 5 : 1	COUNT 	DESCRIPTION OF REVISIONS	DESIGNED	CHECKED	DATE
HRS HIROSE ELECTRIC CO., LTD.		APPROVED : MH. YAMANE	11.01.17	DRAWING NO.	EDC4-335829-00		
		CHECKED : TS. NOBE	11.01.17	PART NO.	HRM-200-088WBPJBN		
		DESIGNED : TS. KANEKO	11.01.12	CODE NO.	CL323-0920-7-00		
		DRAWN : TS. KANEKO	11.01.12		1/1		