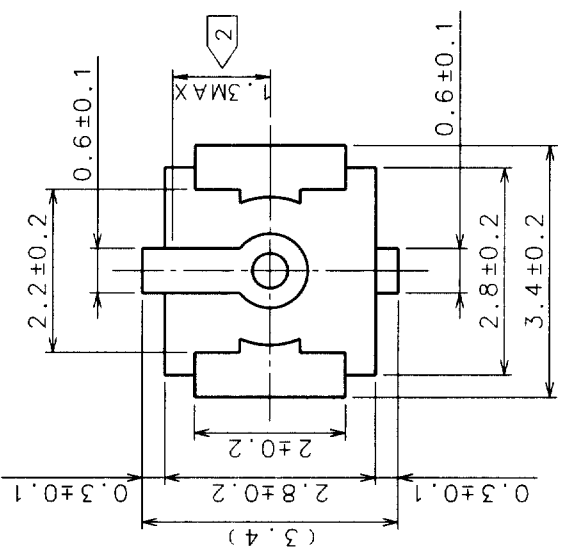
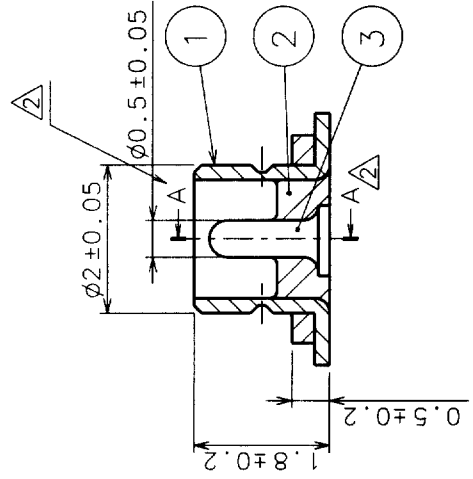
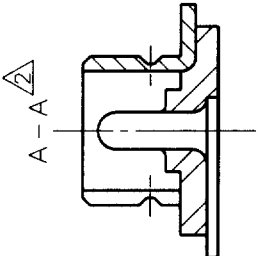
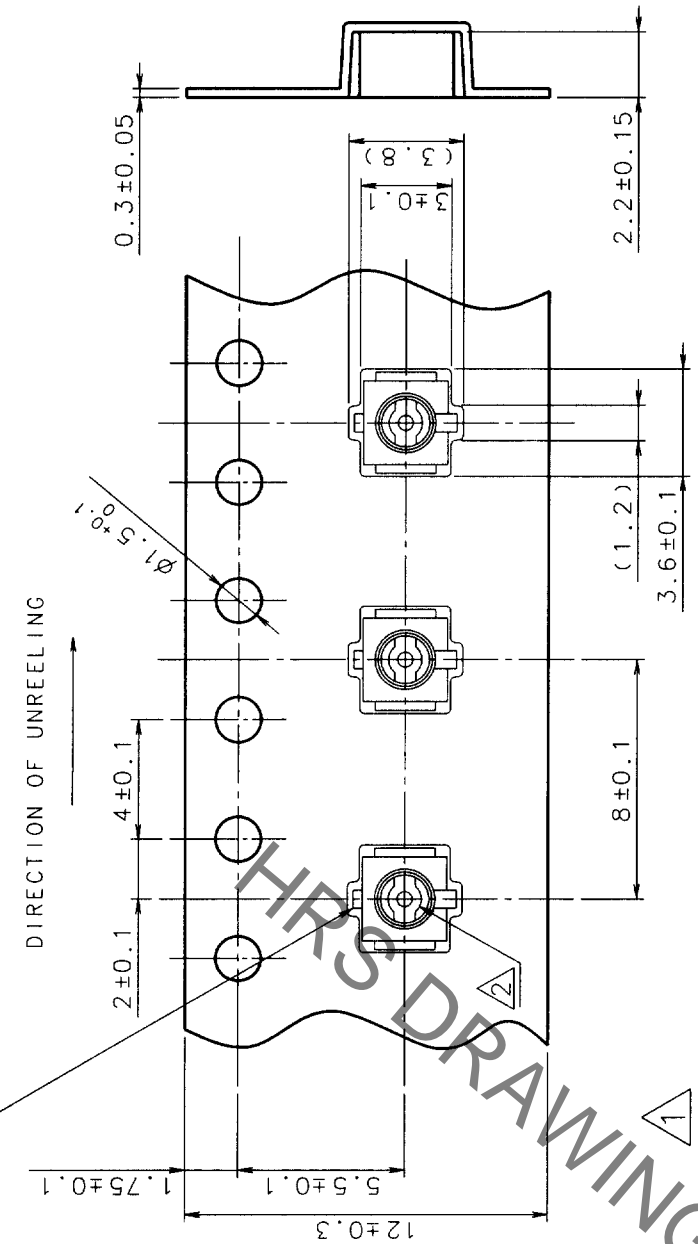


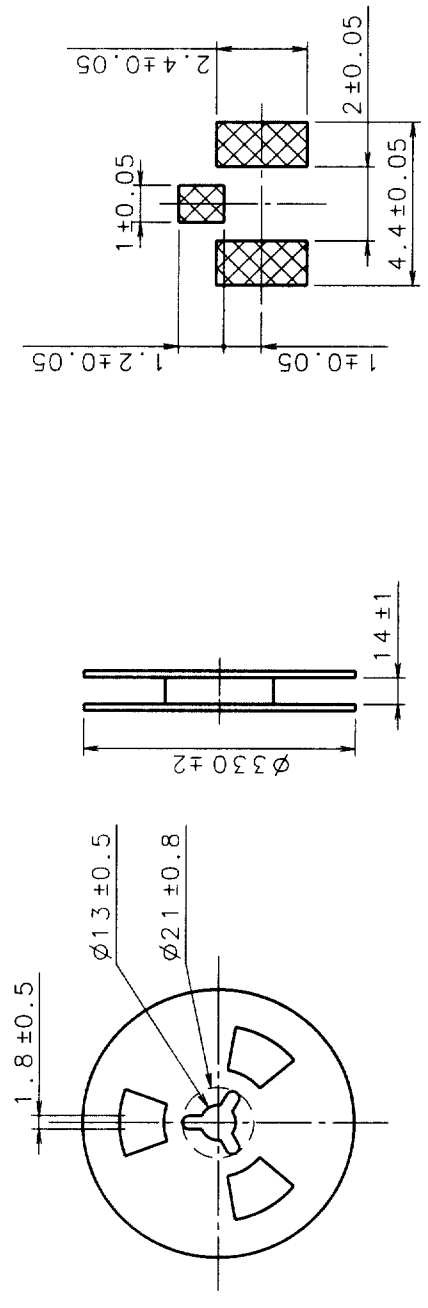
Jan. 1. 2021 Copyright 2021 HIROSE ELECTRIC CO., LTD. All Rights Reserved.
 In case of consideration for using Automotive equipment / device which demand high reliability, kindly contact our sales window correspondents.

COUNT	DESCRIPTION OF REVISIONS	BY	CHKD	DATE	COUNT	DESCRIPTION OF REVISIONS	BY	CHKD	DATE
3	RE-D-2399	T.K.I.	M95	10.04					
5	RE-D-03306	M.H.I.M.	18.7	15					

ENBOSSED TAPING DRAWING (4:1)



REEL DRAWING (SCALE FREE)



NOTE 1: THE QUANTITY OF E.FL-R-SMT(10) IS 2500 CONNECTORS PER REEL.
 NOTE 2: THIS DIMENSION SHOWS THE ALLOWABLE RANGE THAT THE RESIN IS PUT OVER THE CENTER CONTACT.
 NOTE 3: LEAD CO-PLANARITY SHALL BE 0.1 MAX.

NO.	MATERIAL	FINISH	REMARKS	NO.	MATERIAL	FINISH	REMARKS
2	LCP	(BLACK)	UL94V-0	3	BRASS		GOLD PLATED
1	PHOSPHOR BRONZE	SILVER PLATED					

CODE NO. (OLD)	DESIGNED	CHECKED	APPROVED	RELEASED
	T. KOMATSU	K. IKEDA	K. SHIMIZU	F. KOBAYASHI
	94.12.08	94.12.08	94.12.08	94.12.08

DRAWING NO.	PART NO.
EDC3-130348-10	E.FL-R-SMT(10)

SCALE	UNITS	CODE NO.
5:1	mm	CL331-0421-1-10

TO RF (USA)