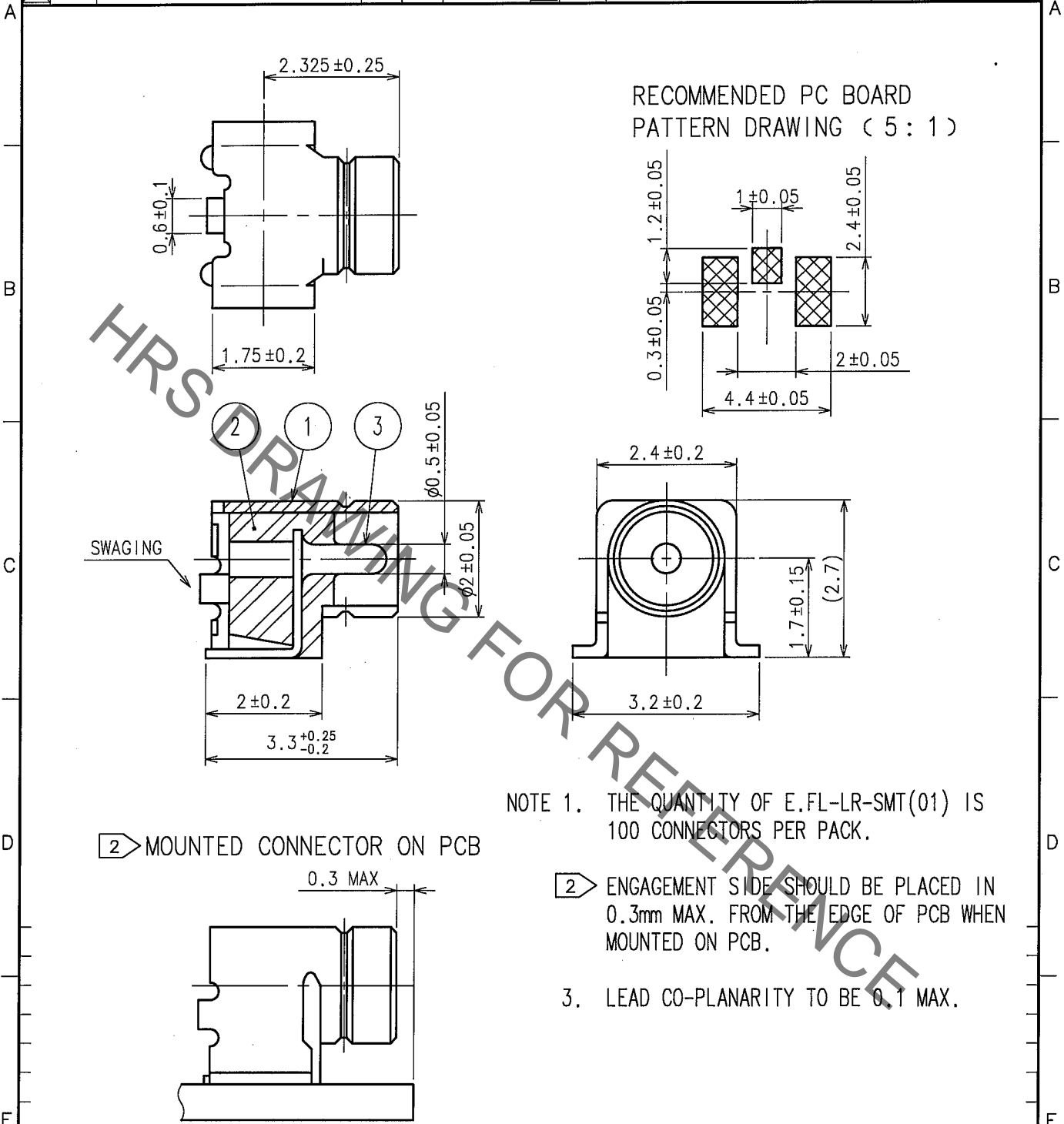


Jan.1.2021 Copyright 2021 HIROSE ELECTRIC CO., LTD. All Rights Reserved.
 In case of consideration for using Automotive equipment / device which demand high reliability, kindly contact our sales window correspondents.

1		2			3			4		
COUNT	DESCRIPTION OF REVISIONS	BY	CHKD	DATE	COUNT	DESCRIPTION OF REVISIONS	BY	CHKD	DATE	
△					△					
△					△					
△					△					



RECOMMENDED PC BOARD
 PATTERN DRAWING (5 : 1)

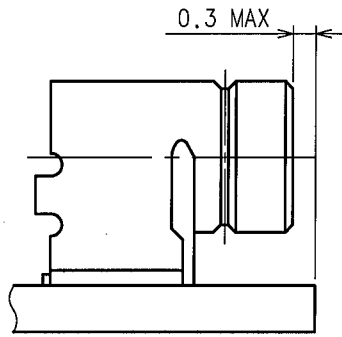
HRS DRAWING FOR REFERENCE

NOTE 1. THE QUANTITY OF E.FL-LR-SMT(01) IS 100 CONNECTORS PER PACK.

2 ENGAGEMENT SIDE SHOULD BE PLACED IN 0.3mm MAX. FROM THE EDGE OF PCB WHEN MOUNTED ON PCB.

3. LEAD CO-PLANARITY TO BE 0.1 MAX.

2 MOUNTED CONNECTOR ON PCB



2	LCP	(BLACK) UL94V-0	3	BRASS	GOLD PLATING
1	PHOSPHOR BRONZE	SILVER PLATING			
NO.	MATERIAL	FINISH, REMARKS	NO.	MATERIAL	FINISH, REMARKS
CODE NO. (OLD) CL			DRAWN	DESIGNED	CHECKED
RoHS COMPLIANT			<i>H. Sugiyama</i>	<i>T. Katayama</i>	<i>H. Shimizu</i>
			06.06.02	06.06.02	06.06.05
					<i>J. Mitani</i>
					06.06.03
DRAWING NO. EDC4-131127-01			PART NO. E.FL-LR-SMT(01)		
HRS HIROSE ELECTRIC CO., LTD.			CODE NO. CL331-0422-4-01		
			1		
			1		

TO
RF