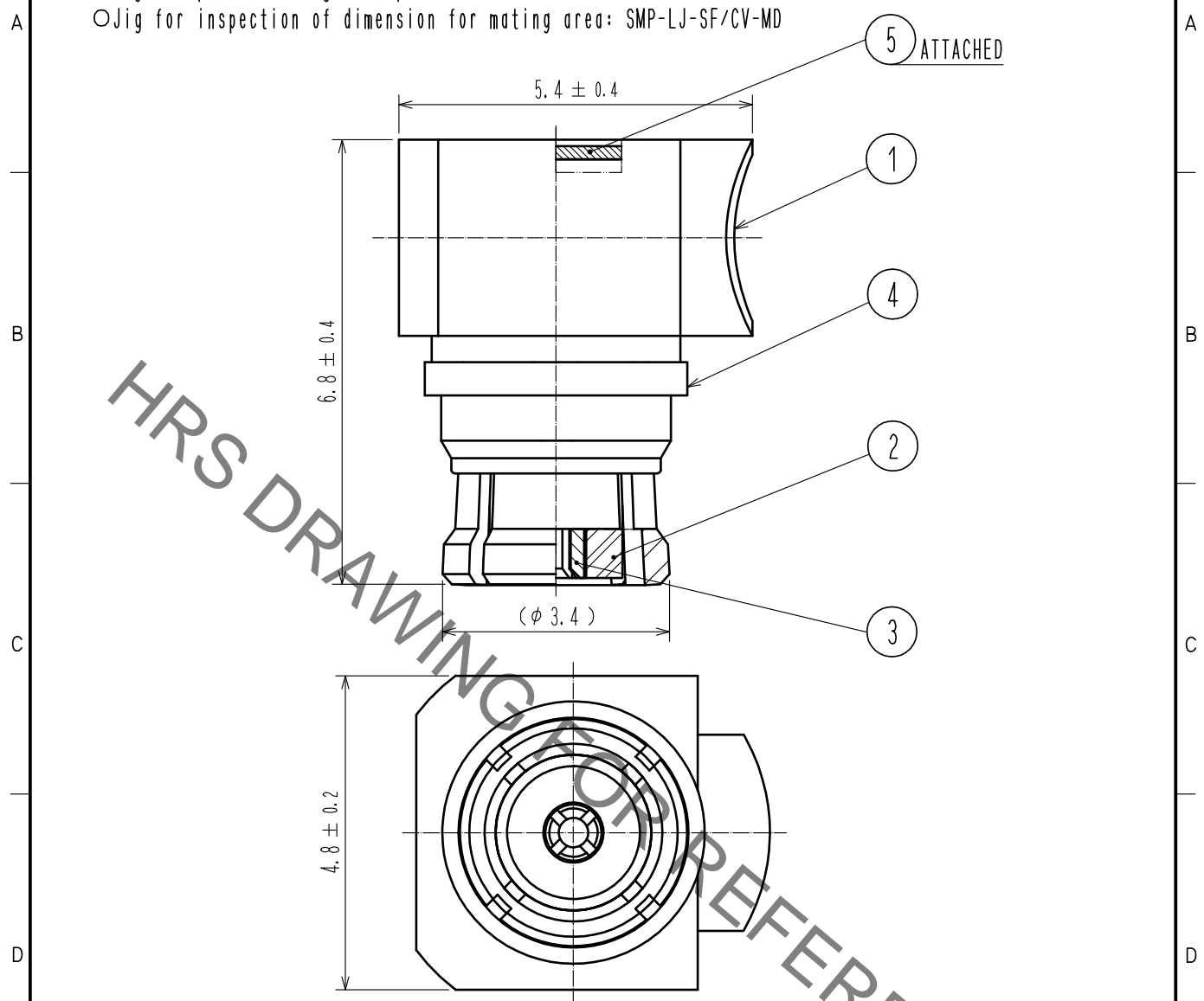


May.1.2019 Copyright 2019 HIROSE ELECTRIC CO., LTD. All Rights Reserved.  
In case of consideration for using Automotive equipment / device which demand high reliability, kindly contact our sales window correspondents.

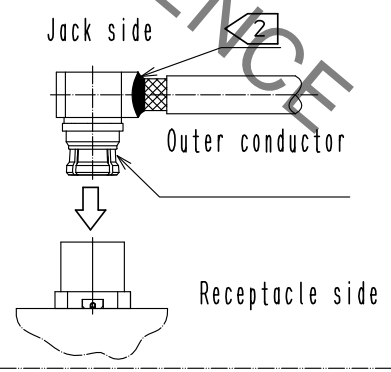
**【 ASSEMBLE TOOL 】**

- Jig for soldering center conductor and soldering outer conductor: SMP-J-SF/SO-MD1
- Jig for press fitting of cap: SMP-LJ-SF/CK-MP
- Jig for inspection of dimension for mating area: SMP-LJ-SF/CV-MD



**【 USAGE PRECAUTIONS 】**

1. Please insert or extract a SMP jack as perpendicularly as possible to a receptacle. If aligned insertion or extraction is not performed, it could damage or deform an outer conductor part of the jack.
2. Semi-flexible cable is made solder connection with a connector. If excess load on the soldered section is applied, it could damage or deform the section. Please handle it with care.



3	BERYLIUM COPPER	GOLD PLATING					
2	PTFE		5	BRASS	NICKEL PLATING		
1	BERYLIUM COPPER	GOLD PLATING	4	BRASS	GOLD PLATING		
NO.	MATERIAL	FINISH .	REMARKS	NO.	MATERIAL	FINISH .	REMARKS

UNITS mm		SCALE 10: 1	COUNT 	DESCRIPTION OF REVISIONS	DESIGNED	CHECKED	DATE
<b>HRS</b> HIROSE ELECTRIC CO., LTD.		APPROVED : TO. KATAYAMA	18.06.05	DRAWING NO.	EDC-373428-00-00		
		CHECKED : KY. SHIMIZU	18.06.05	PART NO.	SMP-LJ-SF085		
		DESIGNED : TM. YOSHIDA	18.06.05	CODE NO.	CL338-1101-0-00		
		DRAWN : TM. YOSHIDA	18.06.05		1/1		