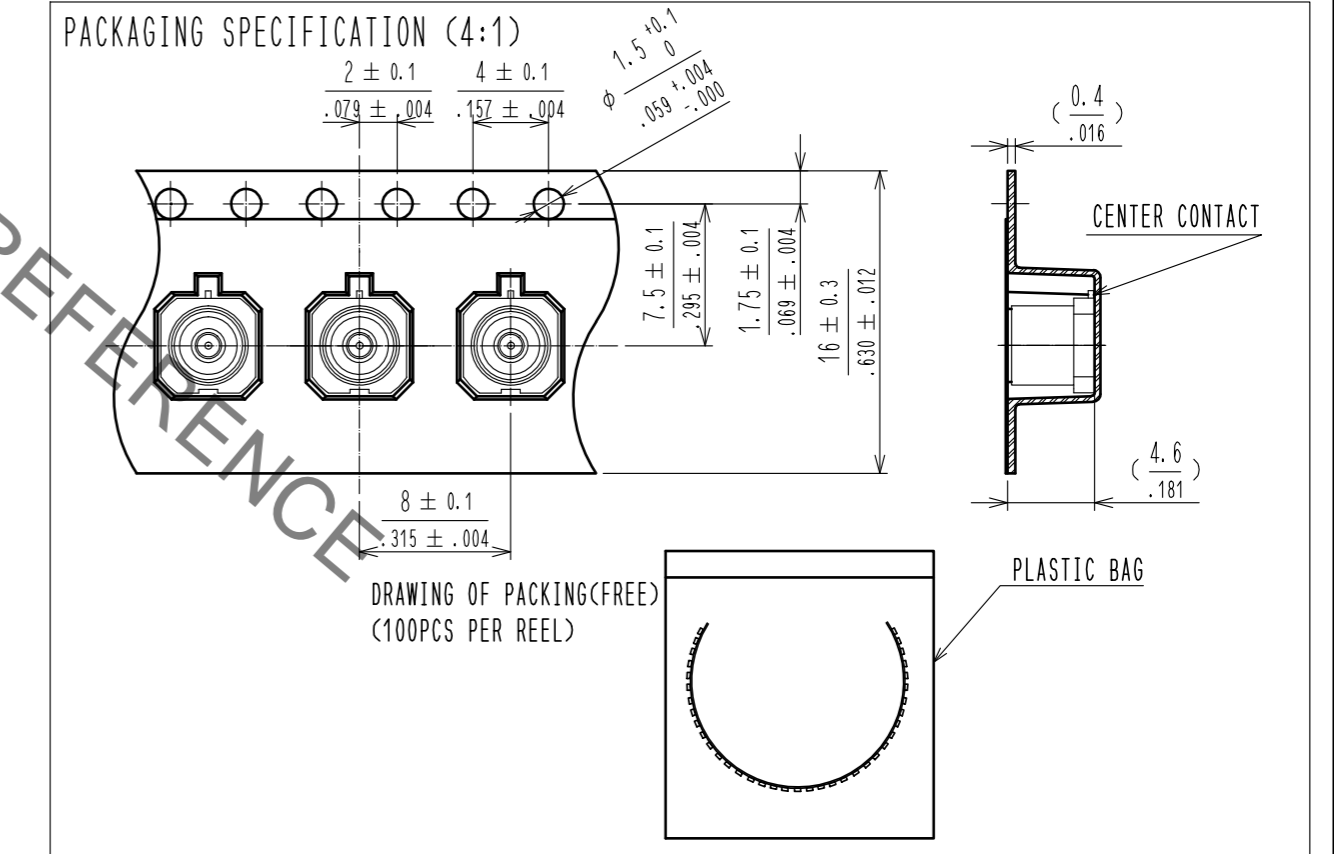
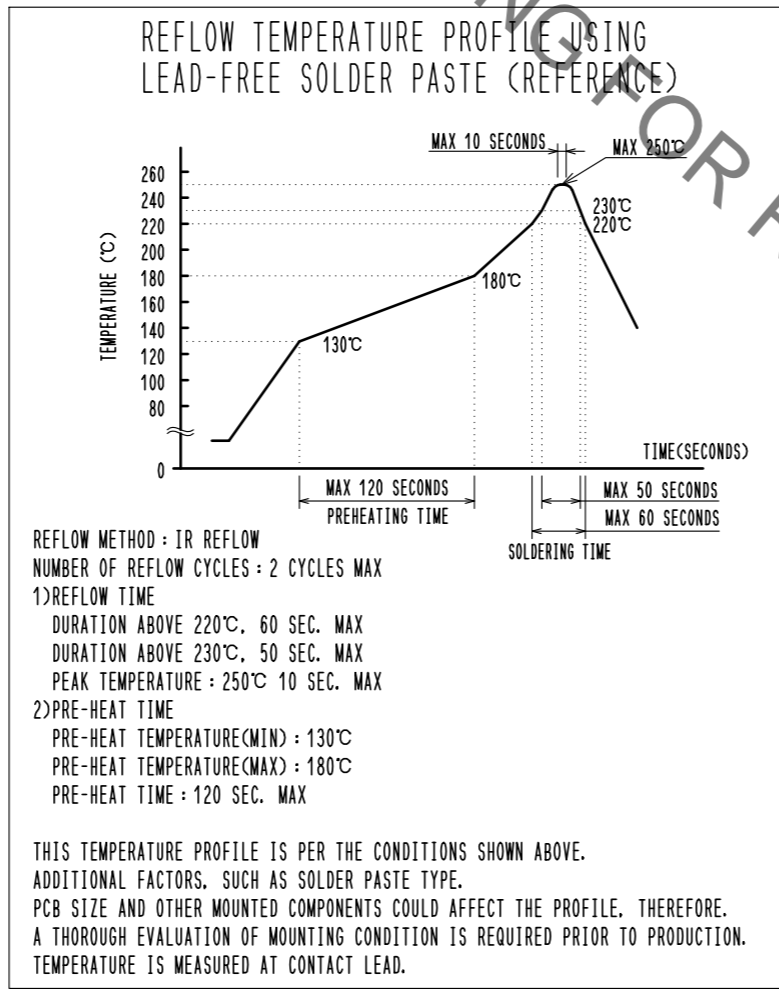
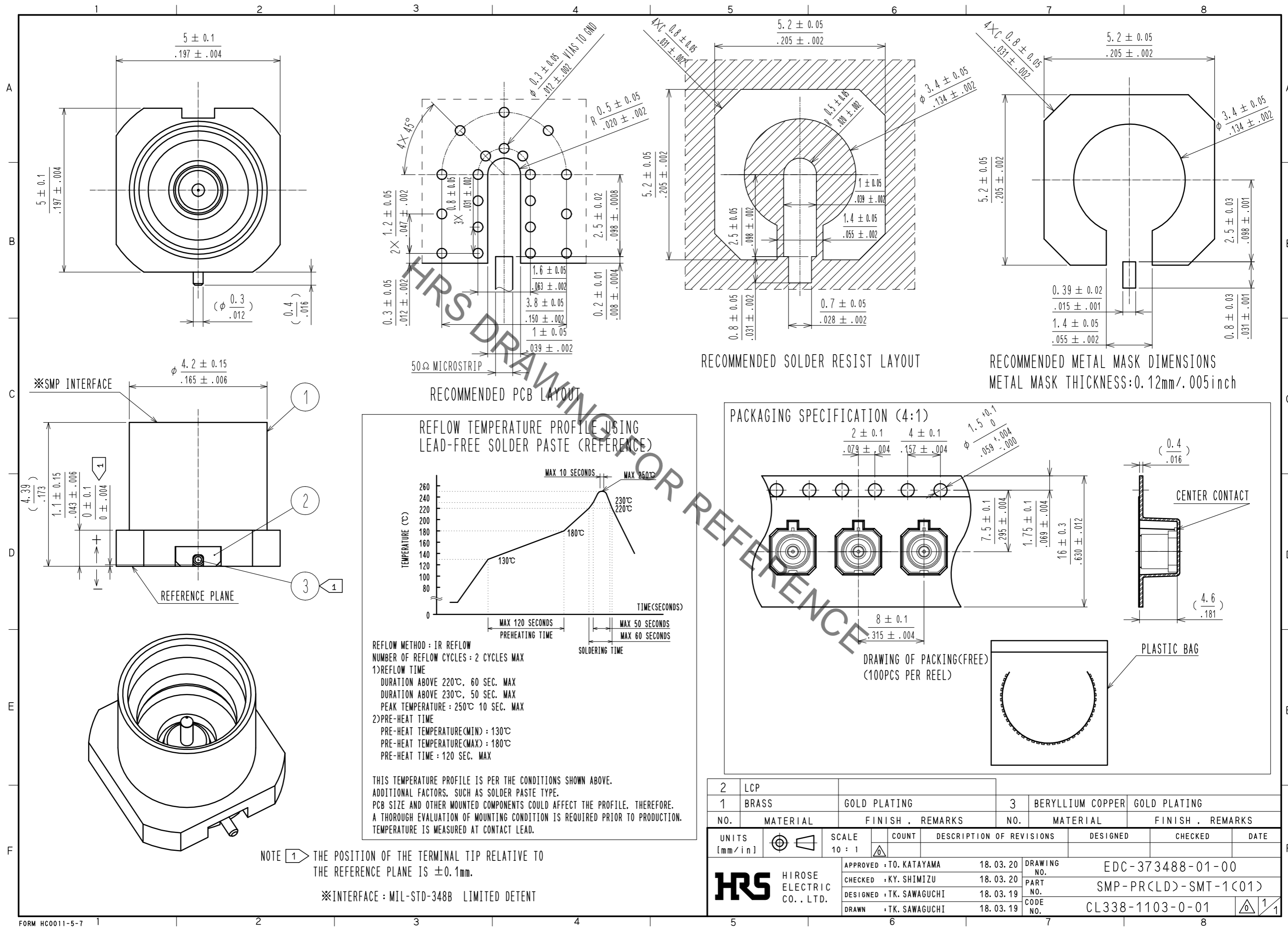


May.1.2019 Copyright 2019 HIROSE ELECTRIC CO., LTD. All Rights Reserved.
In case of consideration for using Automotive equipment / device which demand high reliability, kindly contact our sales window correspondents.



NOTE 1 THE POSITION OF THE TERMINAL TIP RELATIVE TO THE REFERENCE PLANE IS ±0.1mm.
*INTERFACE : MIL-STD-348B LIMITED DETENT

2	LCP			3	BERYLLIUM COPPER	GOLD PLATING
1	BRASS	GOLD PLATING				
NO.	MATERIAL	FINISH . REMARKS	NO.	MATERIAL	FINISH . REMARKS	
UNITS [mm/in]	⊙	SCALE 10 : 1	△	COUNT	DESCRIPTION OF REVISIONS	DESIGNED
						CHECKED
						DATE
APPROVED : TO. KATAYAMA 18.03.20			DRAWING NO. EDC-373488-01-00			
CHECKED : KY. SHIMIZU 18.03.20			PART NO. SMP-PR(LD)-SMT-1(C01)			
DESIGNED : TK. SAWAGUCHI 18.03.19			CODE NO. CL338-1103-0-01			
DRAWN : TK. SAWAGUCHI 18.03.19						