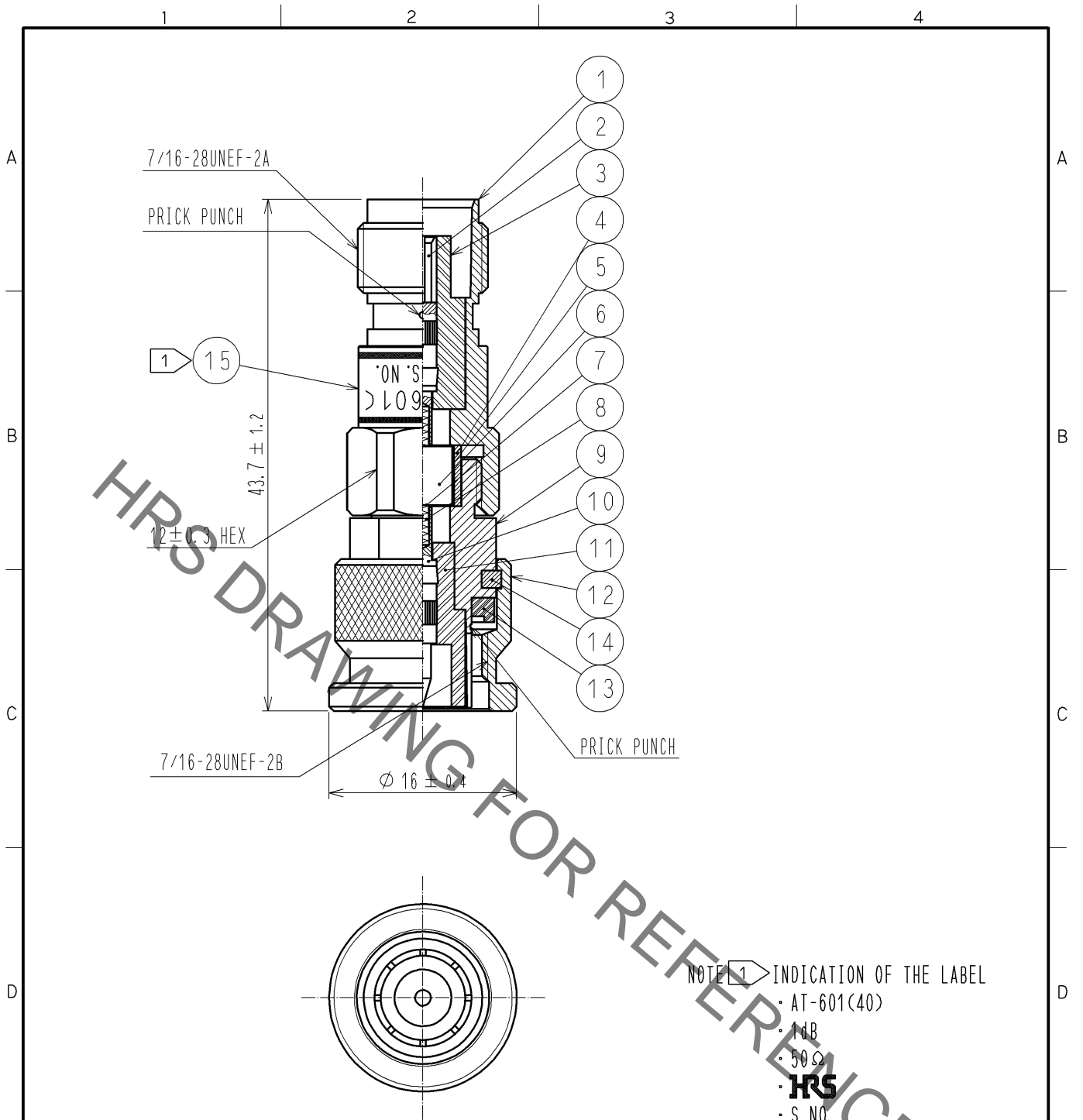


May.1.2019 Copyright 2019 HIROSE ELECTRIC CO., LTD. All Rights Reserved.
In case of consideration for using Automotive equipment / device which demand high reliability, kindly contact our sales window correspondents.



8	PIANO WIRE						
7	BERYLLIUM COPPER	GOLD PLATING	15		LABEL		
6	ALUMINA		14	PHOSPHOR BRONZE	NICKEL PLATING		
5	BERYLLIUM COPPER	GOLD PLATING	13	SILICON RUBBER			
4	BRASS	NICKEL PLATING	12	BRASS	NICKEL PLATING		
3	PTFE		11	PTFE			
2	BERYLLIUM COPPER	GOLD PLATING	10	BRASS	GOLD PLATING		
1	BRASS	NICKEL PLATING	9	BRASS	NICKEL PLATING		
NO.	MATERIAL	FINISH .	REMARKS	NO.	MATERIAL	FINISH .	REMARKS

UNITS mm		SCALE 2 : 1	COUNT 	DESCRIPTION OF REVISIONS	DESIGNED	CHECKED	DATE
HRS HIROSE ELECTRIC CO., LTD.		APPROVED : MT. SHIBUTANI 12. 01. 31	DRAWING NO. EDC4-180503-01				
		CHECKED : KY. SHIMIZU 12. 01. 31	PART NO. AT-601(40)				
		DESIGNED : TK. SAWAGUCHI 12. 01. 30	CODE NO. CL354-0250-4-40				
		DRAWN : TK. SAWAGUCHI 12. 01. 30			1/1		