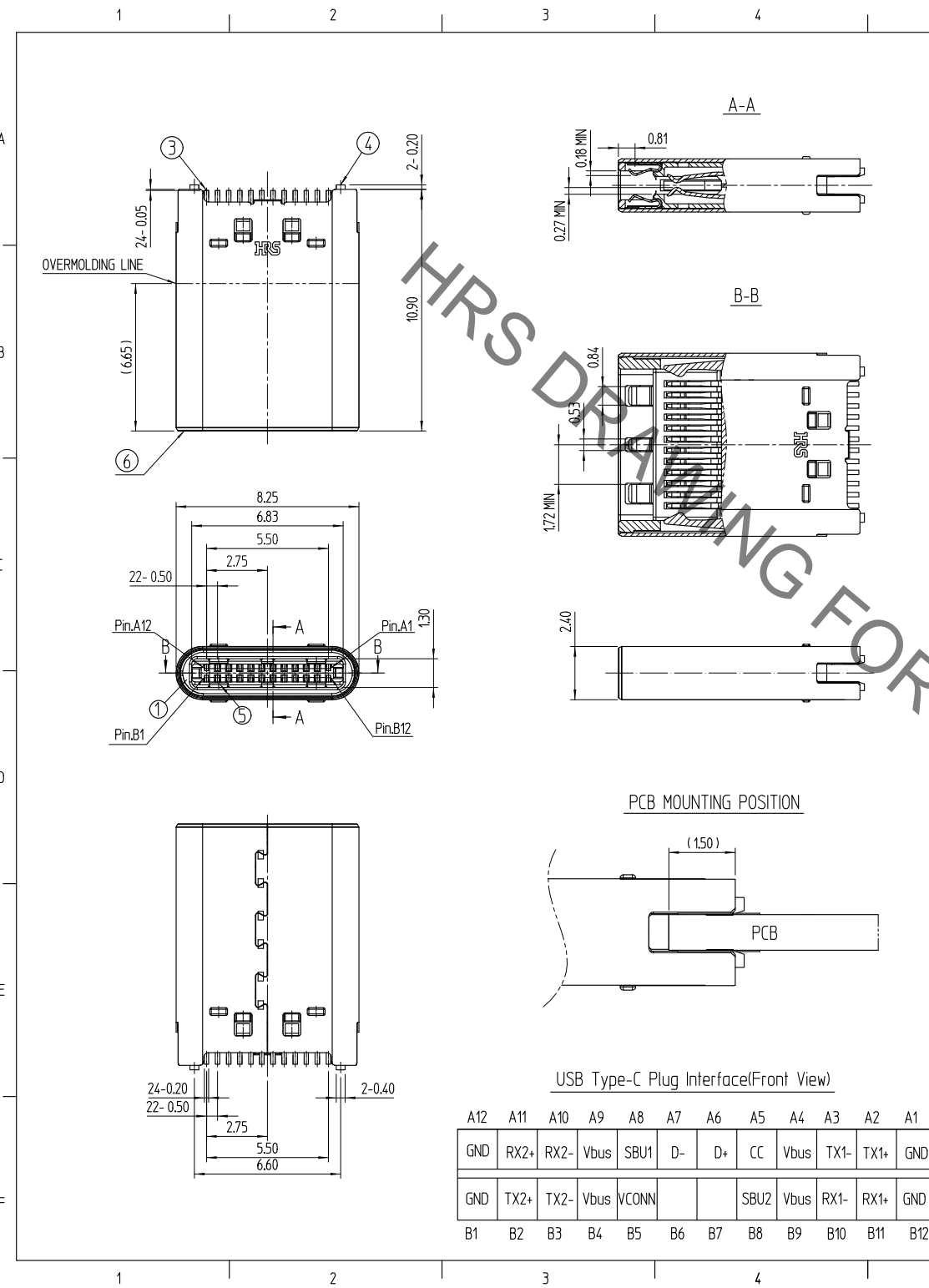
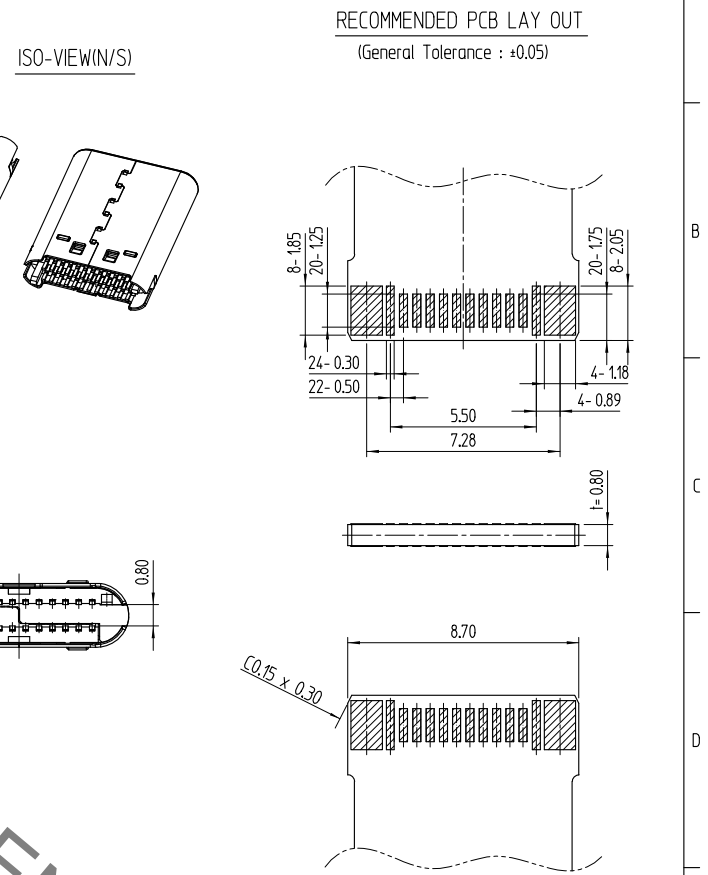


Sep. 1.2019 Copyright 2019 HIROSE ELECTRIC CO., LTD. All Rights Reserved.
 use of consideration for using Automotive equipment / device which demand high reliability, kindly contact our sales window correspond



△數		訂正事項			擔當			檢圖			年月日		△數		訂正事項			擔當		檢圖		年月日	
COUNT		DESCRIPTION OF REVISIONS			B		Y	CHKD		DATE		COUNT		DISCRPTION OF REVISIONS			B		Y	CHKD		DATE	
△	-	Revised			PJS	LHJ	16	04	15	△	-	Revised			PJS	LHJ	16	07	25				
△	-	Revised			PJS	LHJ	16	05	12	△	-	Revised			PJS	KHJ	16	11	11				
△	-	Revised			PJS	LHJ	16	06	16	△	-												



(NOTE) 1 GENERAL TOLERANCE : ±0.2
 2 PACKING : 150 UNIT / TRAY

3	COPPER ALLOY	Gold Plating	6	STAINLESS STEEL	Nickel
2	LCP	UL94-V0, COLOR BLACK	5	STAINLESS STEEL	Nickel
1	PA	UL94-V0, COLOR BLACK	4	STAINLESS STEEL	Nickel
NO.	MATERIAL	FINISH,REMARKS	NO.	MATERIAL	FINISH,REMARKS
REMARK			DRAWN	DESIGNED	CHECKED
			J.S.PARK	J.S.PARK	H.J.LEE
			16.04.15	16.04.15	16.04.15
			APPROVED	RELEASED	
			T.S.KANG		
DRAWING NO. ADC3-631979			PART NO. CX60-24S-UNIT		
SCALE 5:1			CODE NO. CL6240-0001-9		
UNITS mm			1/1		