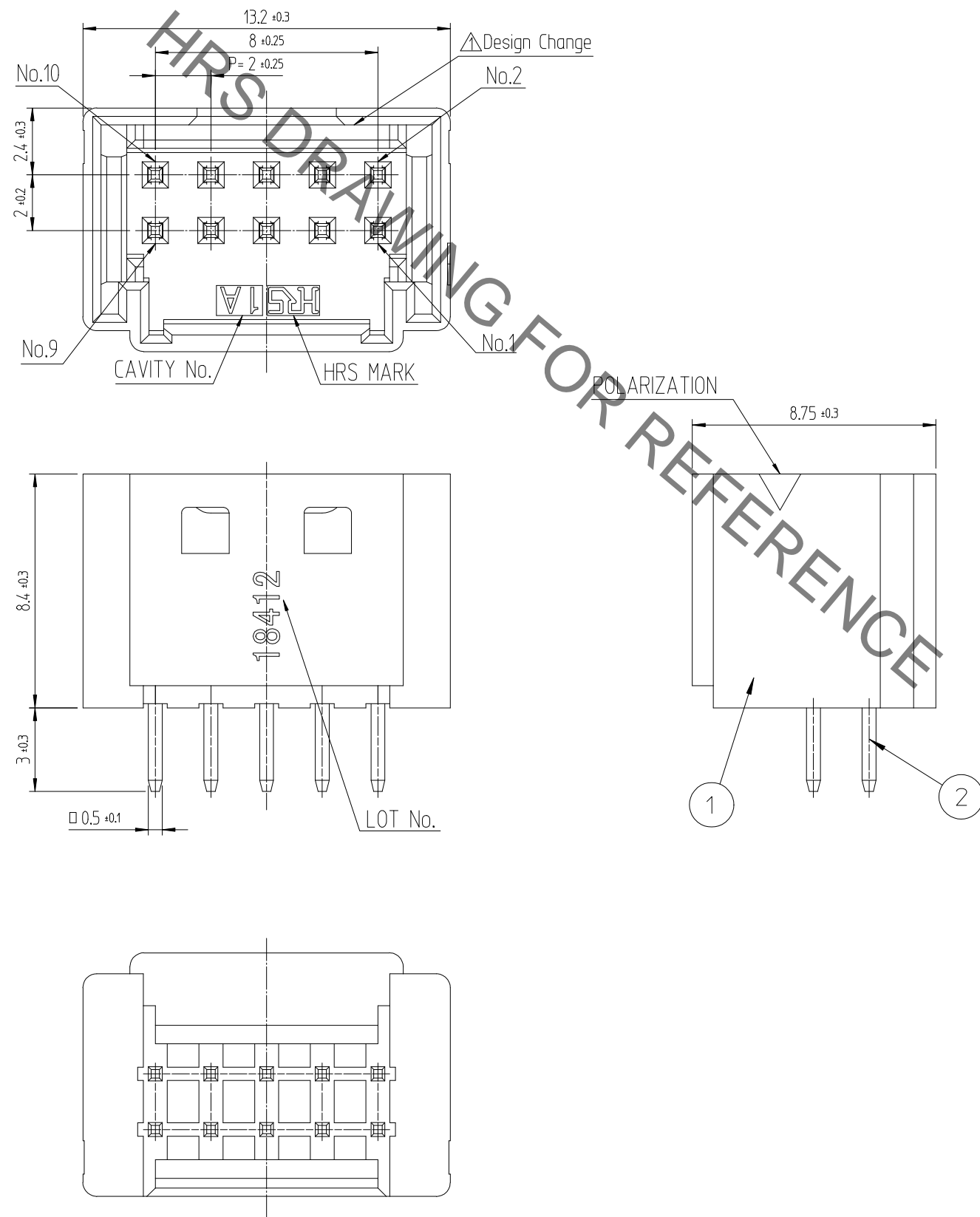
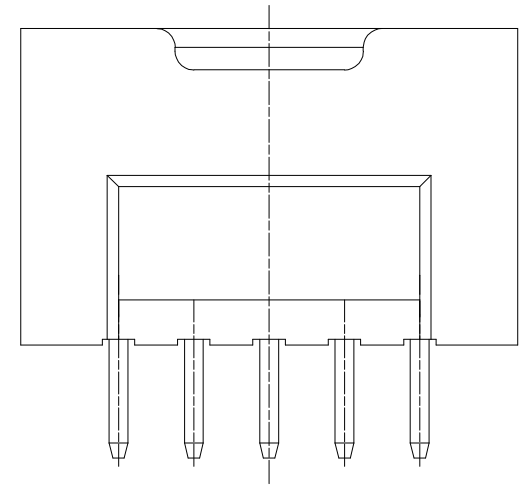
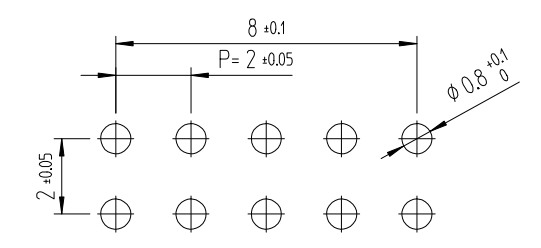


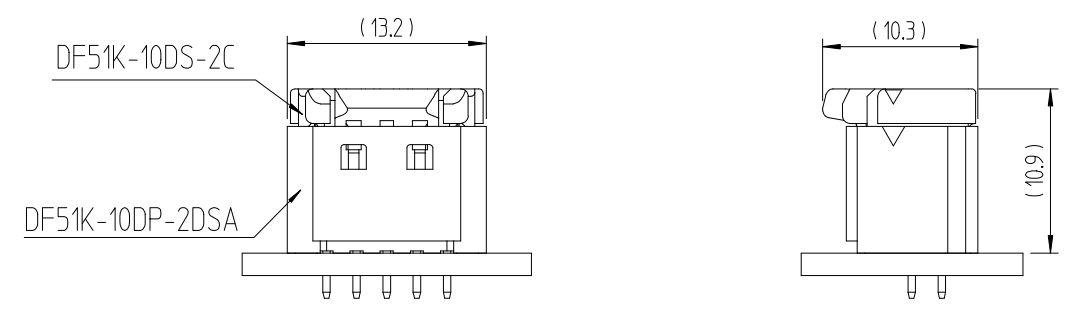
Oct.1.2020 Copyright 2020 HIROSE ELECTRIC CO., LTD. All Rights Reserved.
In case of consideration for using Automotive equipment / device which demand high reliability, kindly contact our sales window



RECOMMENDED LAND PATTERN (FREE)
(PCB THICKNESS t=1.6mm)



ENGAGEMENT FIGURE (2:1)



NOTE 1. 1PACK CONTAINS 100PCS.
2. () DIMENSIONS ARE ONLY REFERENCE.
△ 3. UL(File No. E132750) AUTHORIZATION ARTICLE.
C-UL(File No. E132750) AUTHORIZATION ARTICLE.



△數	訂正事項	擔當	檢圖	年月日	△數	訂正事項	擔當	檢圖	年月日
COUNT	DESCRIPTION OF REVISIONS	B Y	CHKD	DATE	COUNT	DESCRIPTION OF REVISIONS	B Y	CHKD	DATE
1	RE-6-1150	K.I.Y	L.S.M	18. 07. 04					
2	RE-6-1579	K.I.Y	L.S.M	20. 01. 23					

1	△ PA66	UL94V-0, BLACK	2	BRASS	TIN PLATING 1μm MIN, OVER NICKEL 0.5μm MIN
NO.	MATERIAL	FINISH,REMARKS	NO.	MATERIAL	FINISH,REMARKS
CODE NO. (OLD)			DRAWN	DESIGNED	CHECKED
			CHOI	CHOI	LIM
			17.12.22	17.12.22	17.12.22
			J.S	J.S	S.M
			APPROVED		RELEASED
			KANG		ENG
			17.12.22		20.02.12
			T.S		DEPT
DRAWING NO. EDC3-632460			PART NO. DF51K-10DP-2DSA (800)		
SCALE 5:1			CODE NO. CL 6652-0009-3-800		
UNITS mm			HRS HIROSE KOREA CO.,LTD.		
			1/1		