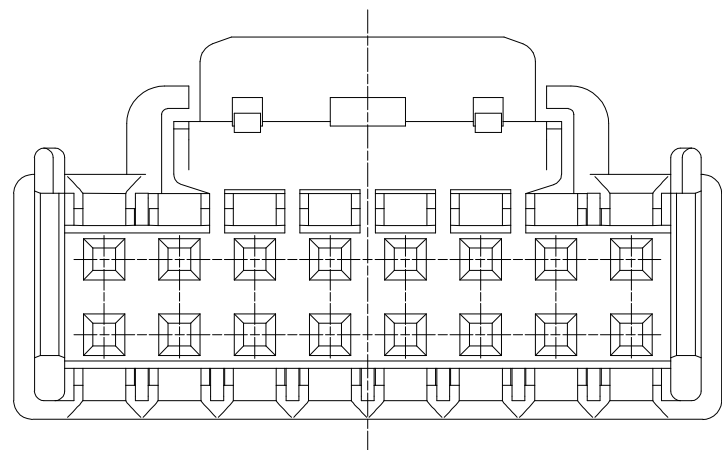
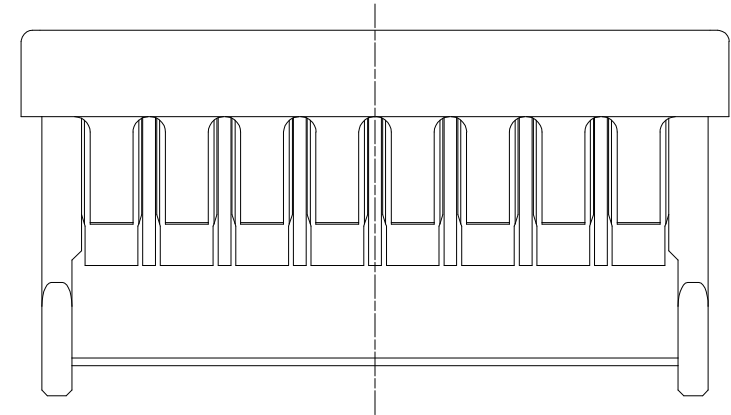
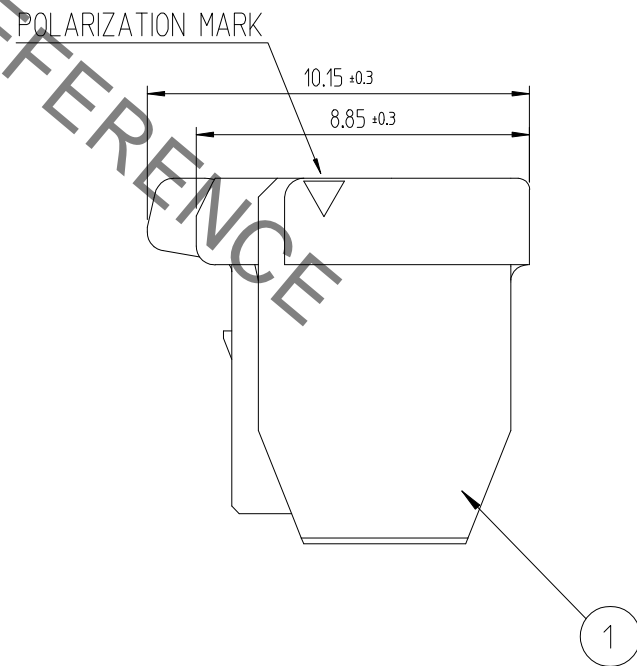
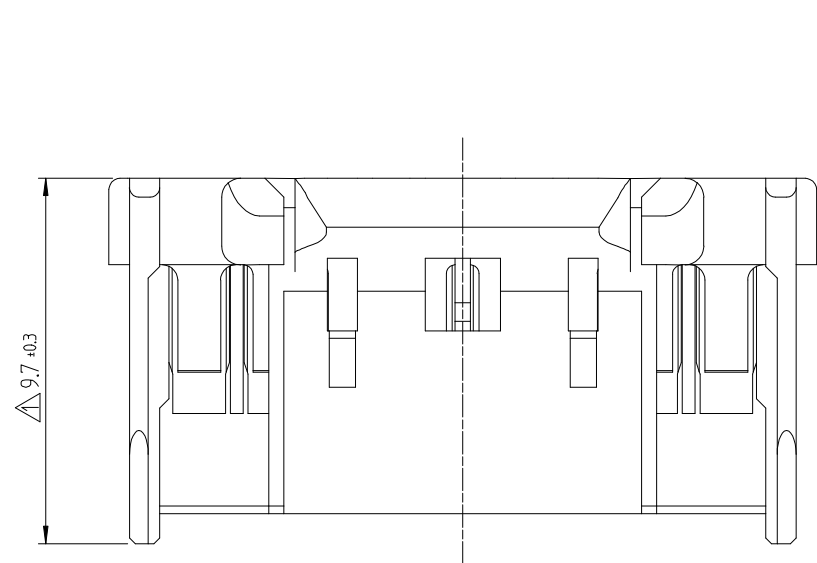
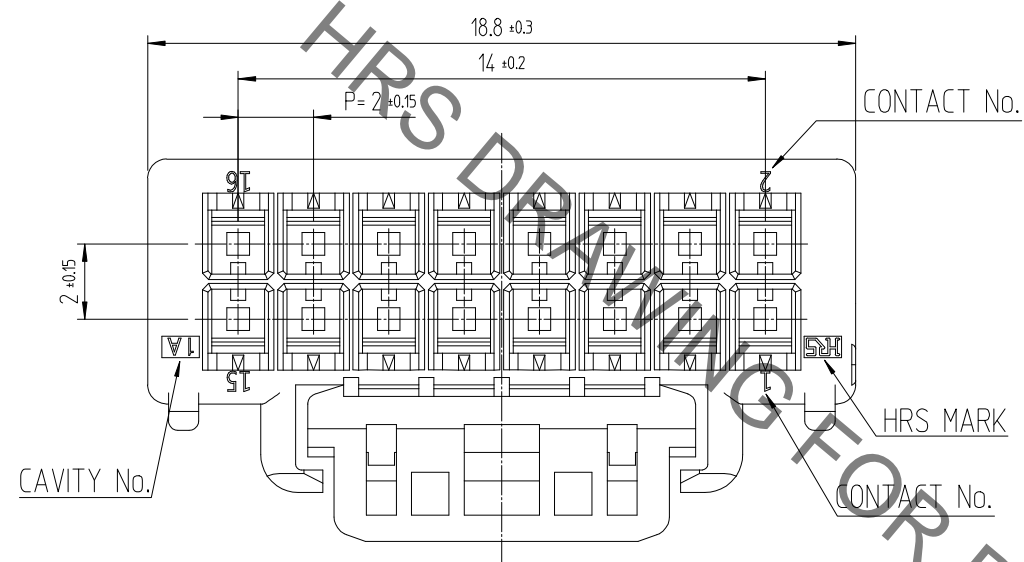


Oct.1.2020 Copyright 2020 HIROSE ELECTRIC CO., LTD. All Rights Reserved.
In case of consideration for using Automotive equipment / device which demand high reliability, kindly contact our sales window

1 2 3 4 5 6 7 8

△數 COUNT	訂正事項 DESCRIPTION OF REVISIONS	擔當 B Y	檢圖 CHKD	年月日 DATE	△數 COUNT	訂正事項 DESCRIPTION OF REVISIONS	擔當 B Y	檢圖 CHKD	年月日 DATE
①	1 RE-6-1150	K.I.Y	L.S.M	18. 07. 04	△				
②	1 RE-6-1579	K.I.Y	L.S.M	20. 01. 23	△				
△					△				



NOTE 1. 1PACK CONTAINS 100PCS.
 △2. UL(File No. E132750) AUTHORIZATION ARTICLE.
 C-UL(File No. E132750) AUTHORIZATION ARTICLE.



NO.	MATERIAL	FINISH,REMARKS	1 NO.	PBT MATERIAL	UL94V-0, BLACK FINISH,REMARKS		
CODE NO. (OLD)			DRAWN	DESIGNED	CHECKED	APPROVED	RELEASED
			CHOI 17.12.22 J.S	CHOI 17.12.22 J.S	LIM 17.12.22 S.M	KANG 17.12.22 T.S	ENG 20.02.12 DEPT
DRAWING NO. EDC3-632497			PART NO. DF51K-16DS-2C (800)				
SCALE 5:1 UNITS mm			CODE NO. CL 6652-0031-2-800				
HRS HIROSE KOREA CO.,LTD.							

1 2 3 4 5 6 7 8