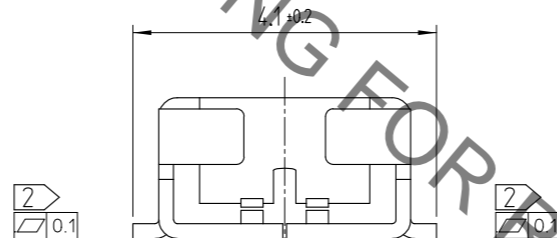
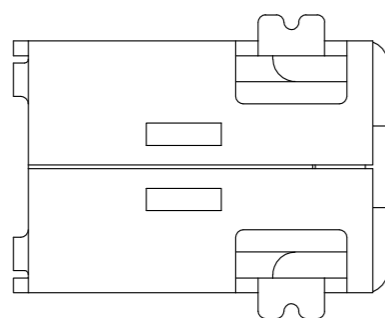
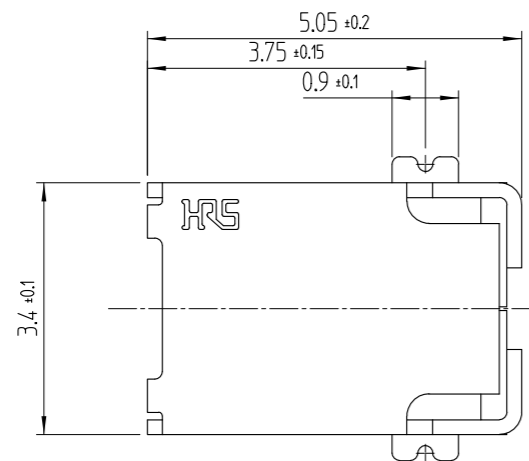


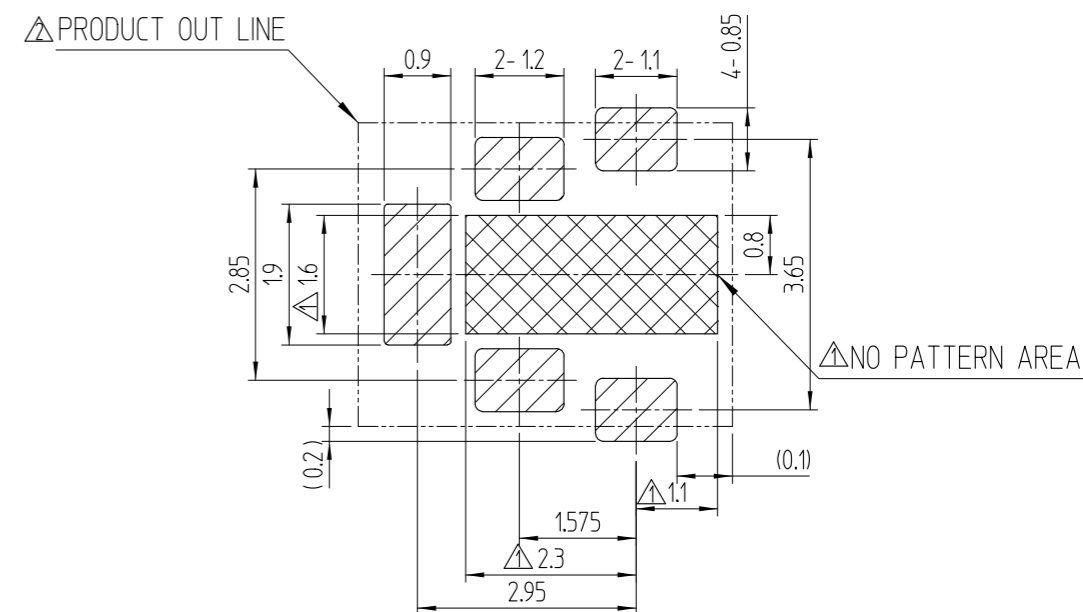
Sep.1.2020 Copyright 2020 HIROSE ELECTRIC CO., LTD. All Rights Reserved.
In case of consideration for using Automotive equipment / device which demand high reliability, kindly contact our sales window correspondents.

△數 COUNT	訂正事項 DESCRIPTION OF REVISIONS	擔當 B Y	檢圖 CHKD	年月日 DATE	△數 COUNT	訂正事項 DESCRIPTION OF REVISIONS	擔當 B Y	檢圖 CHKD	年月日 DATE
△ 4	RE-5-1967	K.C.J	A.B.H	18. 06. 11	△				
△ 1	RE-5-2402	K.C.J	A.B.H	20. 04. 16	△				
△					△				

REFERENCE DRAWING



RECOMMEND P.C.B LAYOUT (tolerance : ±0.05)
METAL MASK T=0.12

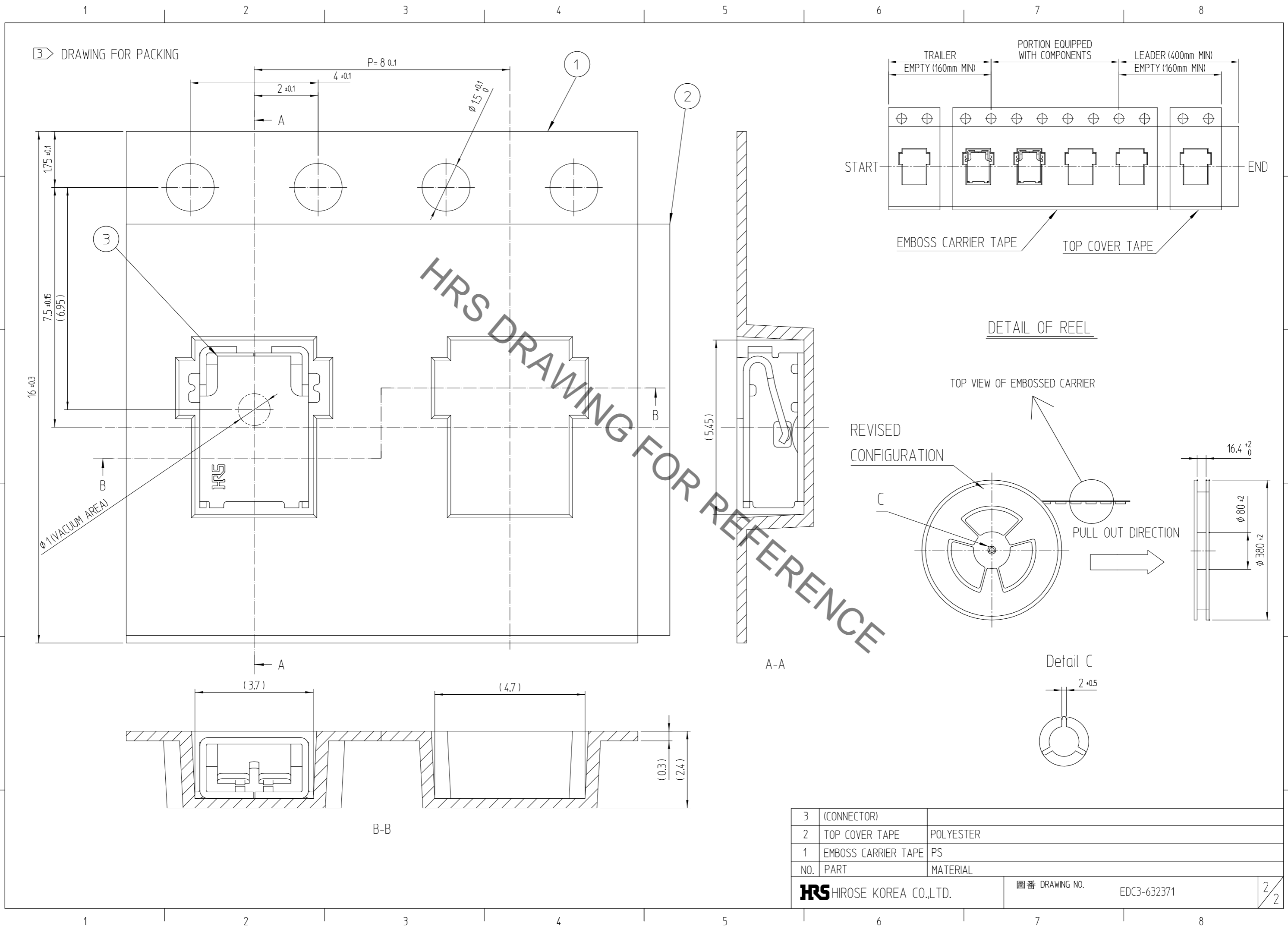


HRS DRAWING FOR REFERENCE

- NOTE 1. ☆ MARK IS C.T.Q (CRITICAL TO QUALITY) POINT
 ② CO-PLANARITY SHALL BE 0.1mm MAX
 ③ PACKING TYPE :TAPE AND 4,500 PCS PER 1REEL .
 4. THE DIMENSIONS OF CUSTOMER DRAWING ARE INITIAL DIMENSIONS OF PRODUCT.
 NOT AFTER THE REFLOW.

1	KP21A-1S	PHOSPHER BRONZE	TIN PLATING					
NO.	PART	MATERIAL	FINISH,REMARKS	NO.	PART	MATERIAL	FINISH,REMARKS	
CODE NO. (OLD)				DRAWN	DESIGNED	CHECKED	APPROVED	RELEASED
				K.G.YANG 17.09.27	K.G.YANG 17.09.27	B.H.AN 17.09.28	H.C.SONG 17.09.28	ENG 20.04.16 DEPT
DRAWING NO. EDC3-632371		PART NO. KP21A-1S(800)						
SCALE 10:1		UNITS mm			CODE NO. 6515-0002-6-800		1/2	

Sep.1.2020 Copyright 2020 HIROSE ELECTRIC CO., LTD. All Rights Reserved.
 In case of consideration for using Automotive equipment / device which demand high reliability, kindly contact our sales window correspondents.



3	(CONNECTOR)	
2	TOP COVER TAPE	POLYESTER
1	EMBOSS CARRIER TAPE	PS
NO.	PART	MATERIAL
HRS HIROSE KOREA CO.,LTD.		圖番 DRAWING NO. EDC3-632371
		2/2