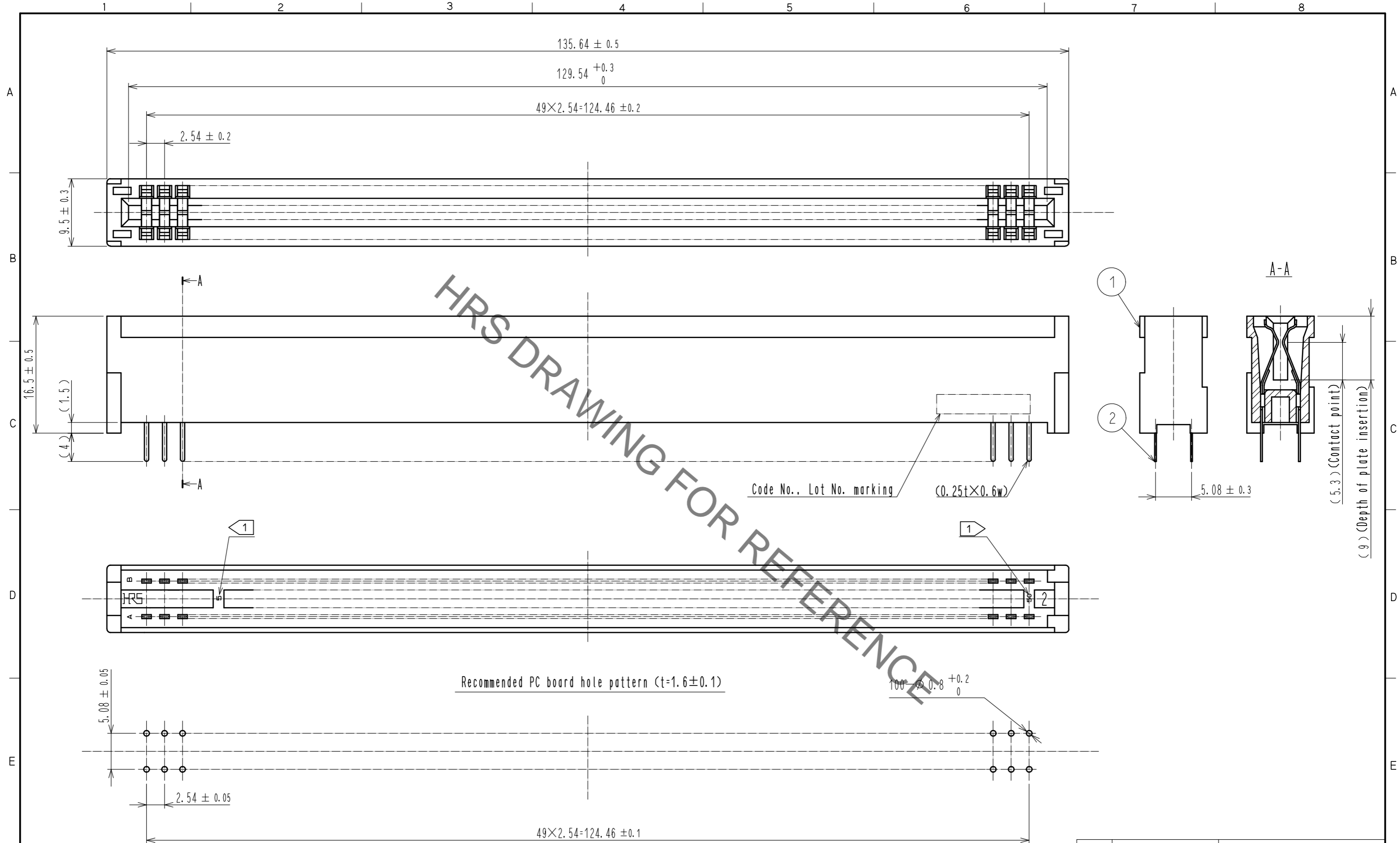


Jun.1.2019 Copyright 2019 HIROSE ELECTRIC CO., LTD. All Rights Reserved.
 In case of consideration for using Automotive equipment / device which demand high reliability, kindly contact our sales window correspondents.



- Notes
- 1 Contact No. (5, 10, 15, 20, 25, 30, 35, 40, 45, 50) are shown.
 - 2 A polarizing key inserted between the following contact positions. (5 to 6), (10 to 11), (15 to 16), (20 to 21), (25 to 26), (30 to 31), (35 to 36), (40 to 41), (45 to 46)
 - 3 The dimensions in parentheses are for reference.

| | | | | | | |
|-----------------------------------|----------|----------------|-----------|--------------------------|-----------------------|--|
| 1 | PBT | BLACK | UL94V-0 | 2 | PHOSPHOR BRONZE | <Contact area>Ni2.5μm+Au0.05μm <Mounting area>Ni2.5μm+Sn2μm |
| NO. | MATERIAL | FINISH | REMARKS | NO. | MATERIAL | FINISH . REMARKS |
| UNITS mm | | SCALE 2 : 1 | COUNT | DESCRIPTION OF REVISIONS | | |
| APPROVED : HT. YAMAGUCHI 18.06.25 | | | | DESIGNED | EDC-017845-70-01 | |
| CHECKED : HT. YAMAGUCHI 18.06.25 | | | | CHECKED | CR22A-100D-2.54DS(70) | |
| DESIGNED : TY. EDAGAWA 18.06.25 | | | | DATE | 18.06.21 | |
| DRAWN : MK. OOKI 18.06.21 | | | | CODE NO. | CL522-0006-5-70 | |
| HRS HIROSE ELECTRIC CO., LTD. | | | | 1/1 | | |