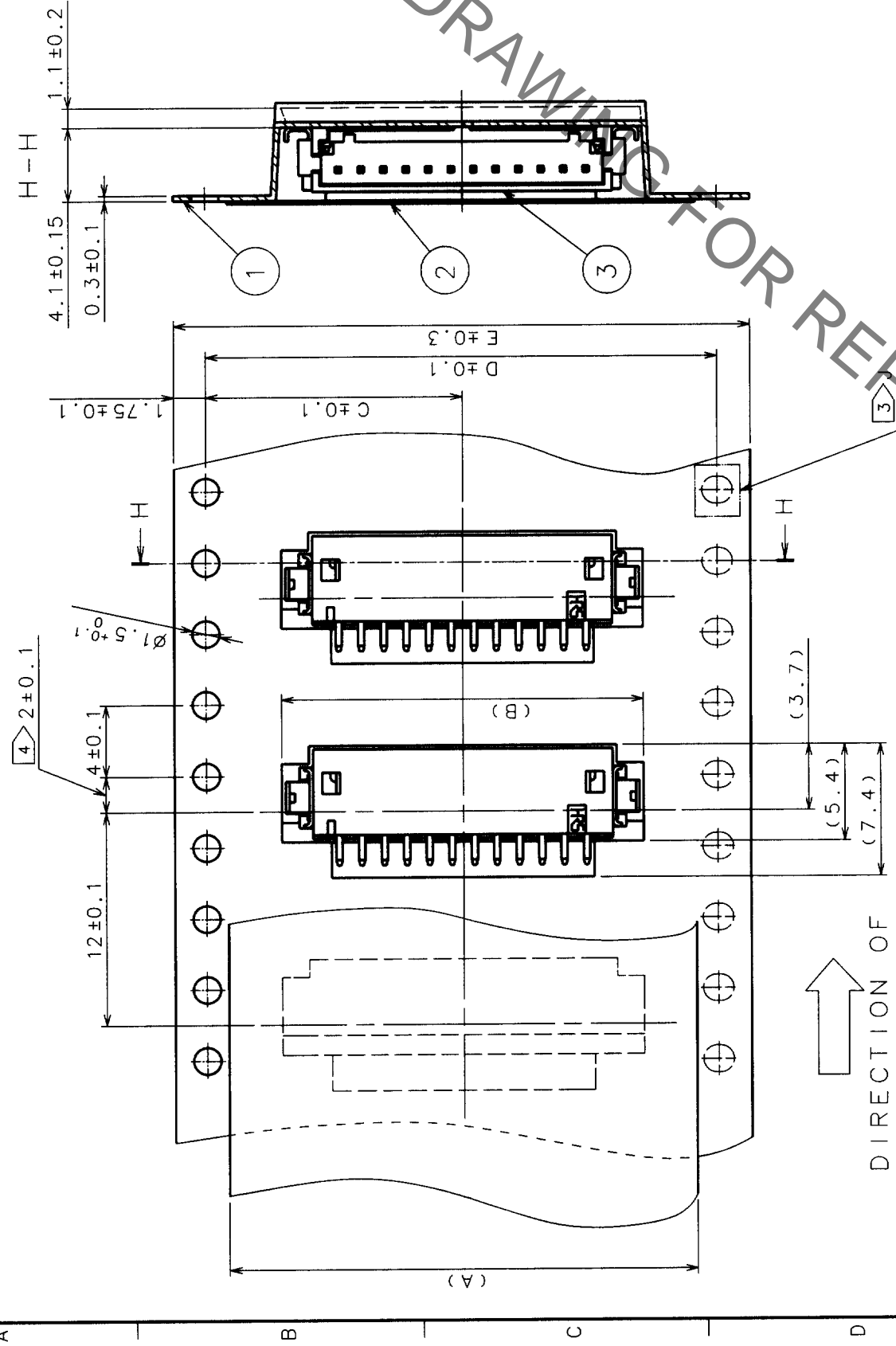


COUNT	DESCRIPTION OF REVISIONS	BY	CHKD	DATE	COUNT	DESCRIPTION OF REVISIONS	BY	CHKD	DATE
△					△				
△					△				
△					△				

CODE NO.	PART NO.	A	B	C	D	E	F
CL536-0301-8-51	DF13A-2P-1.25H(51)	13.5	7.6	7.5	/	16	16.4
CL536-0302-0-51	DF13A-3P-1.25H(51)	13.5	8.85	7.5	/	16	16.4
CL536-0303-3-51	DF13A-4P-1.25H(51)	21.5	10.1	11.5	/	24	24.4
CL536-0304-6-51	DF13A-5P-1.25H(51)	21.5	11.35	11.5	/	24	24.4
CL536-0305-9-51	DF13A-6P-1.25H(51)	21.5	12.6	11.5	/	24	24.4
CL536-0306-1-51	DF13A-7P-1.25H(51)	21.5	13.85	11.5	/	24	24.4
CL536-0307-4-51	DF13A-8P-1.25H(51)	21.5	15.1	11.5	/	24	24.4
CL536-0308-7-51	DF13A-9P-1.25H(51)	21.5	16.35	11.5	/	24	24.4
CL536-0309-0-51	DF13A-10P-1.25H(51)	21.5	17.6	11.5	/	24	24.4
CL536-0310-9-51	DF13A-11P-1.25H(51)	26	18.85	14.2	28.4	32	32.4
CL536-0311-1-51	DF13A-12P-1.25H(51)	26	20.1	14.2	28.4	32	32.4
CL536-0313-7-51	DF13A-14P-1.25H(51)	26	22.6	14.2	28.4	32	32.4
CL536-0314-0-51	DF13A-15P-1.25H(51)	37	23.85	20.2	40.4	44	44.4



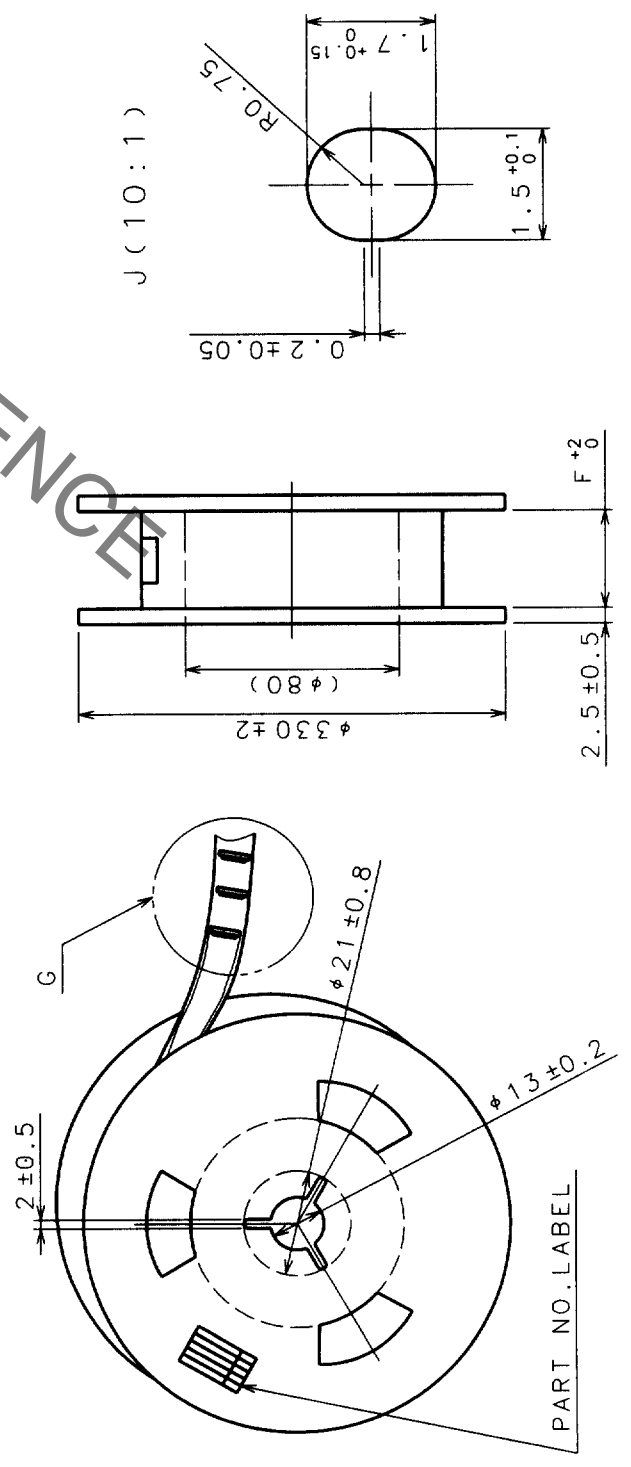
DETAIL OF PART NO. LABEL

生産日	年	月	日
函番	CL536-****-**-51		
品名	DF13A-*P-1.25H(51)		
納入数量	1000個		
納入者	ヒロセ電機(株)		

NOTES

- 1: 1 REEL 1000 CONNECTORS.
- 2: AT THE BEGINNING OF THE REEL, 30 COMPONENTS SHALL BE EMPTY. AT THE END OF THE REEL, 20 COMPONENTS SHALL BE EMPTY.
- 3: WHEN THE TAPE WIDTH IS 32 OR 44mm, SPROCKET HOLES SHALL BE SET ON BOTH SIDES OF REEL AS SHOWN ON THIS DRAWING.
- 4: WHEN THE TAPE WIDTH IS 44mm OR OVER, THE TOLERANCE SHALL BE 2±0.15.

STYLE AND DIMENSION OF REEL



2	POLYESTER (COVER TAPE)	CLEAR	FINISH, REMARKS	3	DF13A-*P-1.25H(01)	MATERIAL	FINISH, REMARKS
1	PAN	CLEAR					
NO.	MATERIAL	FINISH, REMARKS	NO.	MATERIAL	FINISH, REMARKS	NO.	MATERIAL
CODE NO. (OLD)			DRAWN	DESIGNED	CHECKED	APPROVED	RELEASED
			F. Asai	F. Asai	K. Hayama	K. Katayama	
			98.6.23	98.6.23	98.6.25	98.6.25	
DRAWING NO.	EDC3-162444-02		PART NO.	DF13A-*P-1.25H(51)			
SCALE	FR:EE		CODE NO.	CODE NO. SHALL BE ACCORDANCE WITH TABLE. 1			
UNITS	mm		HIROSE ELECTRIC CO., LTD.				

TO	