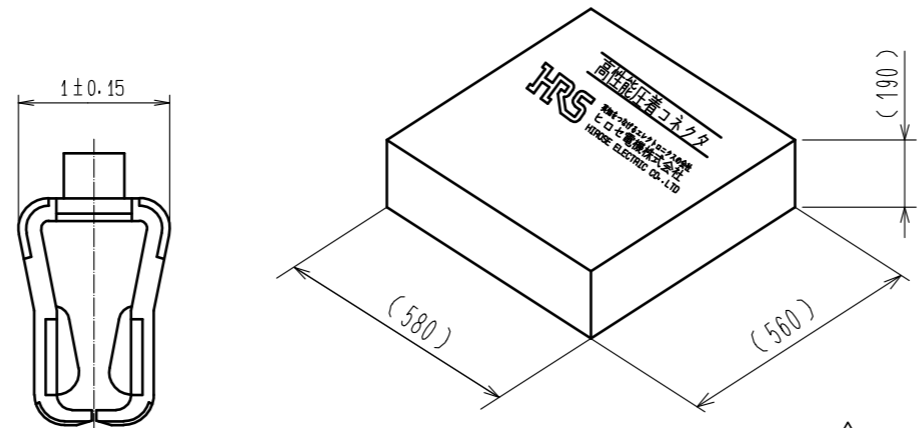
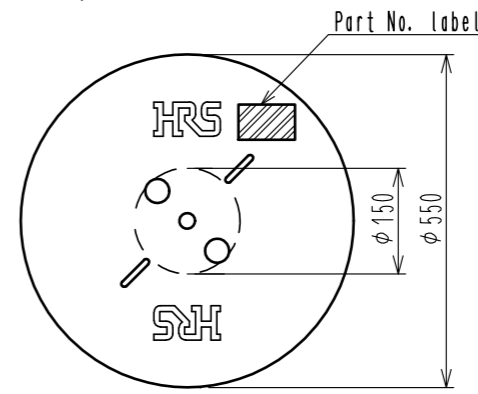


Nov.1.2019 Copyright 2019 HIROSE ELECTRIC CO., LTD. All Rights Reserved.  
In case of consideration for using Automotive equipment / device which demand high reliability, kindly contact our sales window correspondents.

△ ③ Style and dimension of box



△ ③ Style and dimension of reel

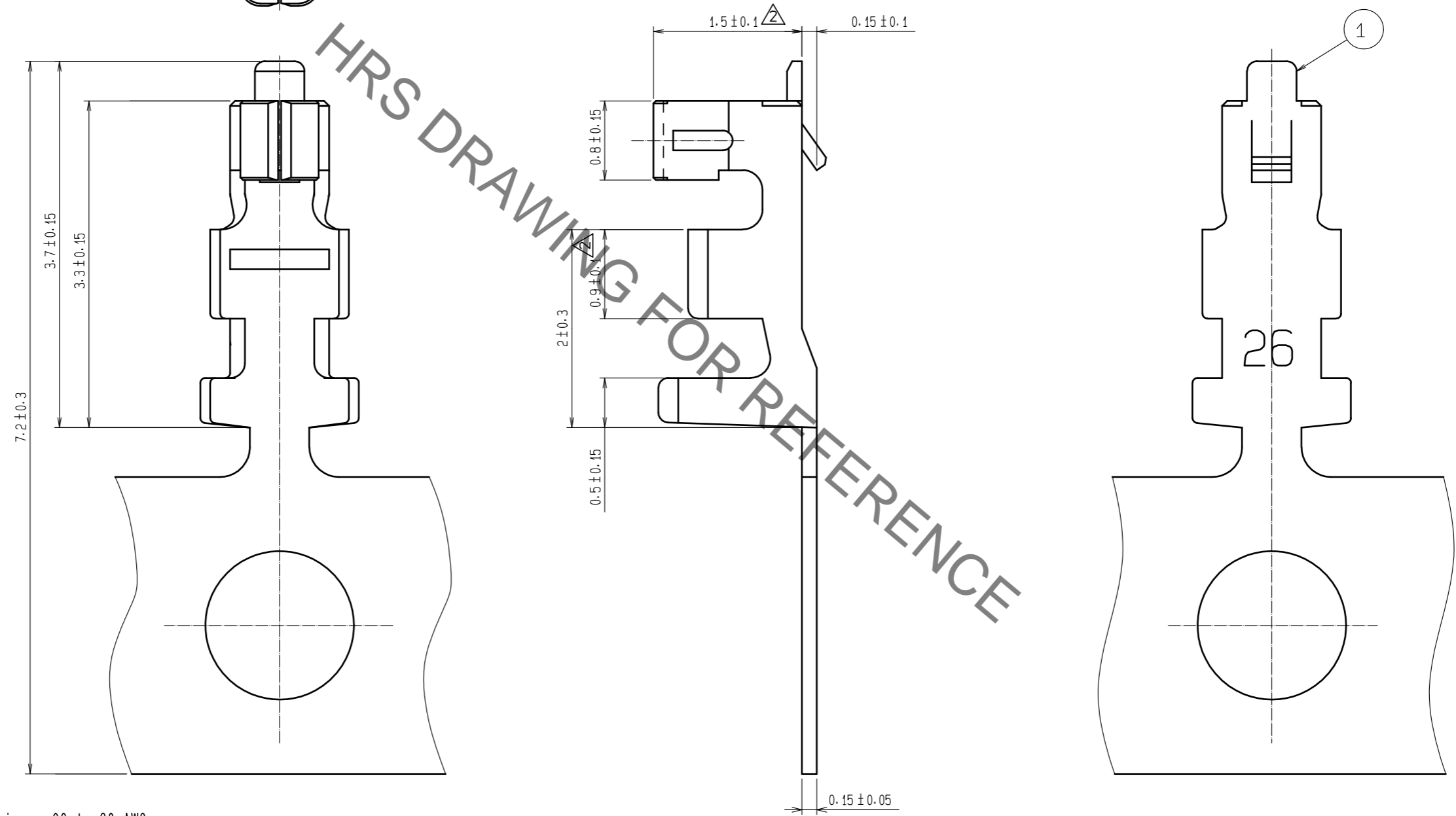


Detail of part No. label

<b>HRS</b>		検査
品名コード	CL536-0643-1-00	
品名	DF136-2630SCF	
数量	10000	
仕様		
LOT No.		
継ぎ目		

Section  
Lot No.  
Specification  
Quantity  
Part No.  
Code No.

Inspection



HRS DRAWING FOR REFERENCE

- △ Note 1. Applicable wire : 26 to 30 AWG  
Outer diameter : φ0.56 to 1.0mm
- ② 1 reel:10000 contacts.
- △ ③ Style of reel and box are shown in figure.
- ④ A maximum of 5 reels are packed up in one box.
- ⑤ Please be sure to check the form of crimping using a cable when you adjust applicator.
- ⑥ Refer to the technical specification(ATAP-H0373-00)for the packing type.

NO.	MATERIAL	FINISH . REMARKS	NO.	MATERIAL	FINISH . REMARKS
1	Phosphor bronze	Tin plating 1μm min			
UNITS mm		SCALE 20: 1	COUNT 9	DESCRIPTION OF REVISIONS DIS-H-00004839	
DESIGNED HT. SATO		CHECKED SZ. ONO		DATE 20190513	
APPROVED : KI. AKIYAMA		20120216		DRAWING NO. EDC-162517-00-01	
CHECKED : HK. UMEHARA		20120216		PART NO. DF136-2630SCF	
DESIGNED : HT. SATO		20120216		CODE NO. CL536-0643-1-00	
DRAWN : HT. SATO		20120216			