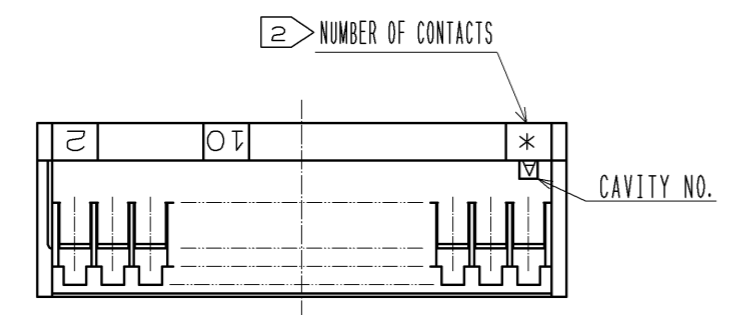
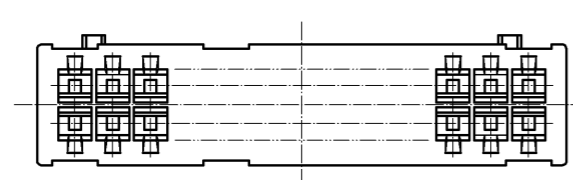
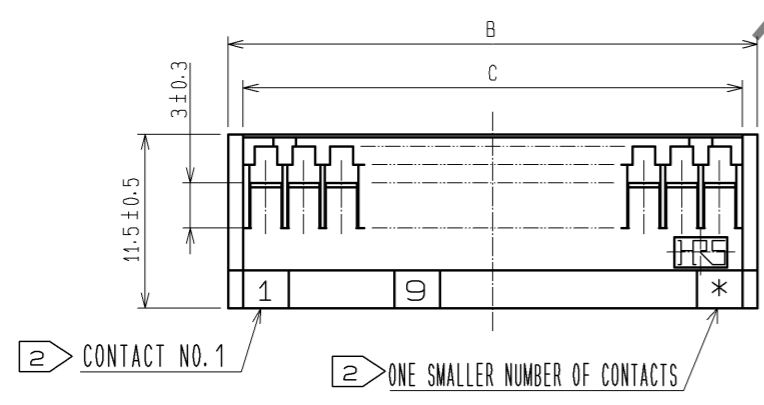
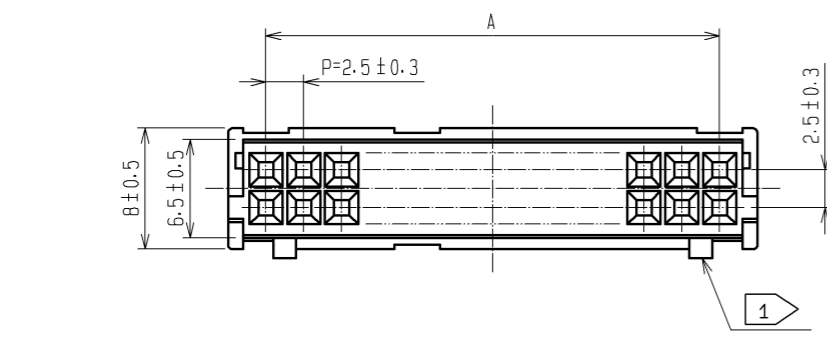


Sep.1.2020 Copyright 2020 HIROSE ELECTRIC CO., LTD. All Rights Reserved.
In case of consideration for using Automotive equipment / device which demand high reliability, kindly contact our sales window correspondents.



| HRS NO. | PART NO. | SLOTTING | | |
|--------------|----------------|----------|------|------|
| | | A | B | C |
| CL541-0648-0 | DF1B-4DS-2.5RC | 2.5 | 7.5 | 5.5 |
| 0649-3 | 6 | 5.0 | 10.0 | 8.0 |
| 0650-2 | 8 | 7.5 | 12.5 | 10.5 |
| 0600-4 | 10 | 10.0 | 15.0 | 13.0 |
| 0601-7 | 12 | 12.5 | 17.5 | 15.5 |
| 0602-0 | 14 | 15.0 | 20.0 | 18.0 |
| 0603-2 | 16 | 17.5 | 22.5 | 20.5 |
| 0604-5 | 18 | 20.0 | 25.0 | 23.0 |
| 0605-8 | 20 | 22.5 | 27.5 | 25.5 |
| 0606-0 | 22 | 25.0 | 30.0 | 28.0 |
| 0607-3 | 24 | 27.5 | 32.5 | 30.5 |
| 0608-6 | 26 | 30.0 | 35.0 | 33.0 |
| 0609-9 | 28 | 32.5 | 37.5 | 35.5 |
| 0610-8 | 30 | 35.0 | 40.0 | 38.0 |
| 0612-3 | 34 | 40.0 | 45.0 | 43.0 |
| 0613-6 | 36 | 42.5 | 47.5 | 45.5 |
| 0615-1 | 40 | 47.5 | 52.5 | 50.5 |

△ 4 TOLERANCES SEE TABLE FOR SPECIFIED, UNLESS OTHERWISE

| OVER | TO | TOLERANCE |
|---------|-----|-----------|
| 6 | | ±0.3 |
| 6 | 18 | ±0.5 |
| 18 | 50 | ±0.7 |
| 50 | 125 | ±1 |
| 125 | 250 | ±1.3 |
| ANGULAR | | ±1° |

- ① 4 PINS HEADER HAVE ONE PROJECTION AT CENTER. OTHER PINS HAVE 2 PROJECTION AS PER DRAWING.
- ② CONTACT NOS. (1, 2, 9, 10, ... 40) AND NUMBER OF CONTACTS AND ONE SMALLER NUMBER OF CONTACTS SHALL BE MARKED.
- △ 3 FORMAT CHANGING.
- △ 4 UNLESS OTHERWISE SPECIFIED, THE TOLERANCE SHALL CONFORM TO THE TABLE 1.

| | | | | | | | |
|--------------------------------------|----------|-------------------------|------------|--------------------------|-------------------------|-------------|------------|
| NO. | MATERIAL | FINISH . REMARKS | NO. | MATERIAL | FINISH . REMARKS | | |
| | | | 1 | POLYAMIDE | NATURAL(WHITE), UL94V-0 | | |
| UNITS | ⊕ | SCALE | COUNT | DESCRIPTION OF REVISIONS | DESIGNED | CHECKED | DATE |
| mm | | 2 : 1 | 3 | DIS-H-005568 | HT. SATO | HK. UMEHARA | 11. 03. 04 |
| HRS HIROSE ELECTRIC CO., LTD. | | APPROVED : KJ. KATAYOSE | 05. 01. 05 | DRAWING NO. | EDC3-160092-02 | | |
| | | CHECKED : TY. OMA | 05. 01. 05 | PART NO. | DF1B-*DS-2.5RC | | |
| | | DESIGNED : TS. KUMAZAWA | 05. 01. 05 | CODE NO. | CL541 | | |
| | | DRAWN : TS. KUMAZAWA | 05. 01. 05 | | △ 1/1 | | |