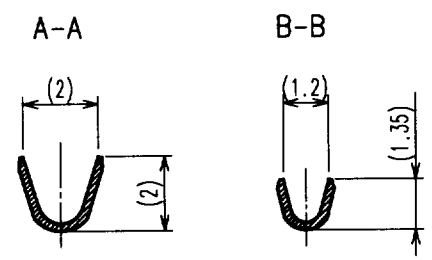
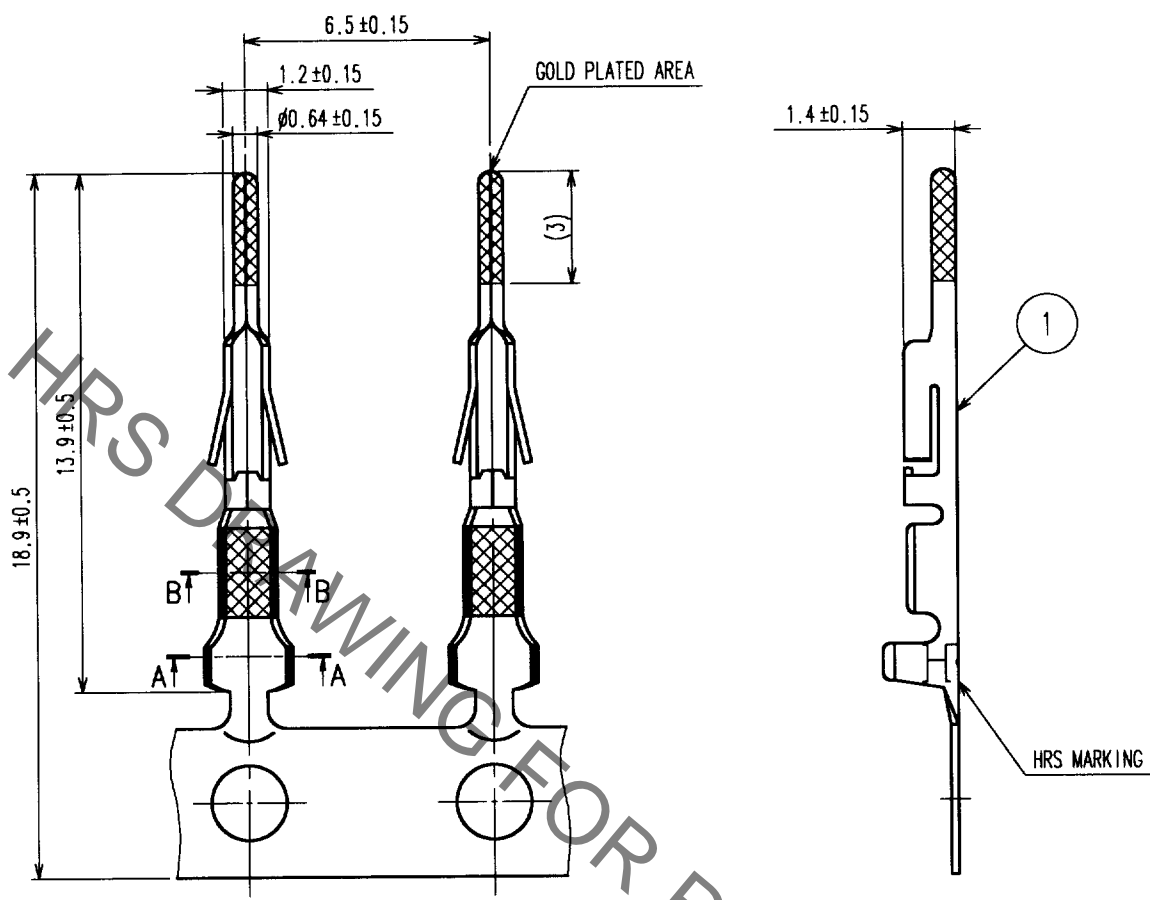


Sep.1.2019 Copyright 2019 HIROSE ELECTRIC CO., LTD. All Rights Reserved.
In case of consideration for using Automotive equipment / device which demand high reliability, kindly contact our sales window correspondents.

1					2					3					4				
COUNT	DESCRIPTION OF REVISIONS				BY	CHKD	DATE	COUNT	DESCRIPTION OF REVISIONS				BY	CHKD	DATE				
△								△							. .				
△								△							. .				
△								△							. .				



NOTE1: APPLICABLE CABLE: AWG24~28

1	PHOSPHOR BRONZE	CONTACT AREA: GOLD PLATED, 0.2 μm OTHERS : NICKEL PLATED					
NO.	MATERIAL	FINISH, REMARKS	NO.	MATERIAL	FINISH, REMARKS		
CODE NO. (OLD) CL			DRAWN Y. Nagashima '01.01.10	DESIGNED J. Inoue '01.01.11	CHECKED T. Miyazaki '01.1.11	APPROVED K. Katayama '01.1.12	RELEASED
DRAWING NO. EDC4-021358			PART NO. DF1-PD2428SCFB				
SACLE 5 : 1			CODE NO. CL541-0660-6				1 1
UNITS mm			HRS HIROSE ELECTRIC CO., LTD.				

TO