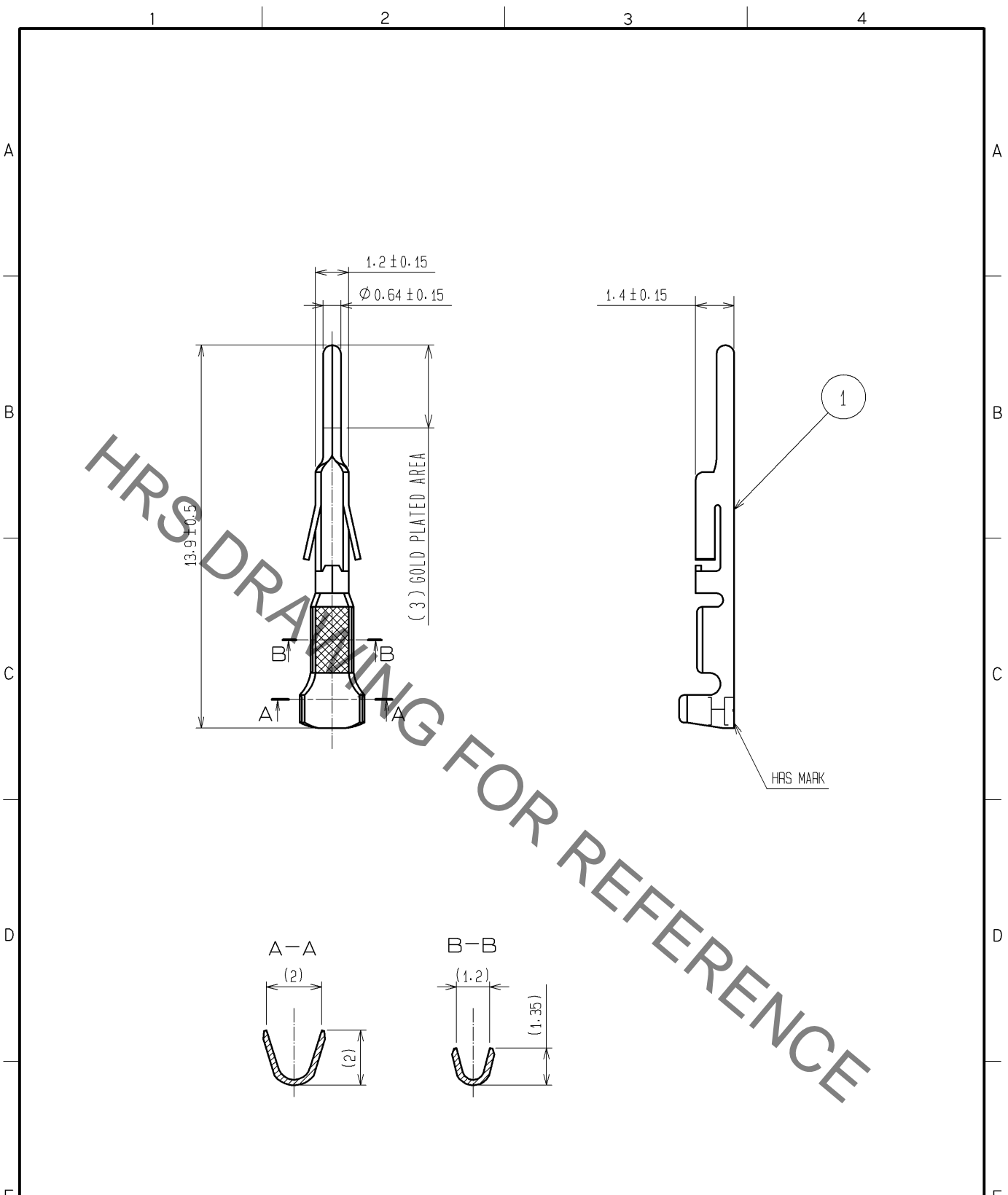


Sep.1.2019 Copyright 2019 HIROSE ELECTRIC CO., LTD. All Rights Reserved.  
In case of consideration for using Automotive equipment / device which demand high reliability, kindly contact our sales window correspondents.



NOTE1: APPLICABLE CABLE: AWG24 TO 28

NO.		MATERIAL		FINISH . REMARKS		NO.		MATERIAL		FINISH . REMARKS			
						1		PHOSPHOR BRONZE		CONTACT AREA:GOLD PLATING 0.2#m Min OTHERS:NICKEL PLATING 1#m Min			
UNITS mm		SCALE 5 : 1		COUNT		DESCRIPTION OF REVISIONS		DESIGNED		CHECKED		DATE	
HRS HIROSE ELECTRIC CO., LTD.		APPROVED :KI. AKIYAMA		10.11.26		DRAWING NO.		EDC4-021359-01					
		CHECKED :TS. FUKUSHIMA		10.11.25		PART NO.		DF1-PD2428SCB					
		DESIGNED :HT. SATO		10.11.25		CODE NO.		CL541-0661-9-00				1/1	
		DRAWN :MI. SAKIMURA		10.11.24									