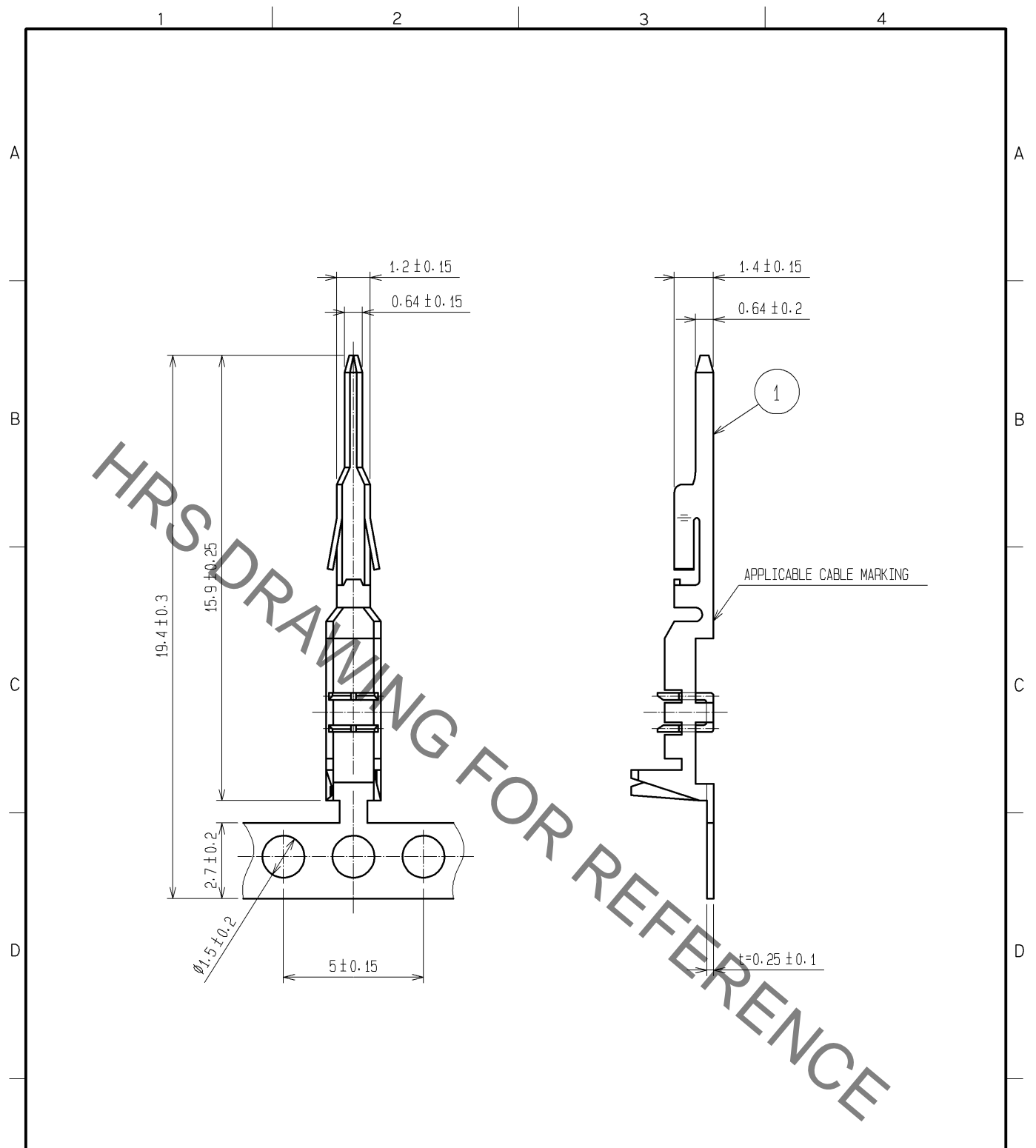


Aug.1.2020 Copyright 2020 HIROSE ELECTRIC CO., LTD. All Rights Reserved.  
 In case of consideration for using Automotive equipment / device which demand high reliability, kindly contact our sales window correspondents.



NOTE 1. APPLICABLE CABLE : AWG28  
 2. 1 REEL : 10000 CONNECTORS.

NO.		MATERIAL		FINISH . REMARKS		1		PHOSPHOR BRONZE		TIN PLATED 1μm min	
UNITS mm		SCALE 5 : 1		COUNT		DESCRIPTION OF REVISIONS		DESIGNED		CHECKED	
HIROSE ELECTRIC CO., LTD.		APPROVED : TS. SAKATA		09. 02. 06		DRAWING NO.		EDC4-080522-01			
		CHECKED : TS. KUMAZAWA		09. 02. 06		PART NO.		DF1B-28PRF			
		DESIGNED : TH. YOSHIZAWA		09. 02. 06		CODE NO.		CL541-0670-0-00			
		DRAWN : TH. YOSHIZAWA		09. 02. 06							