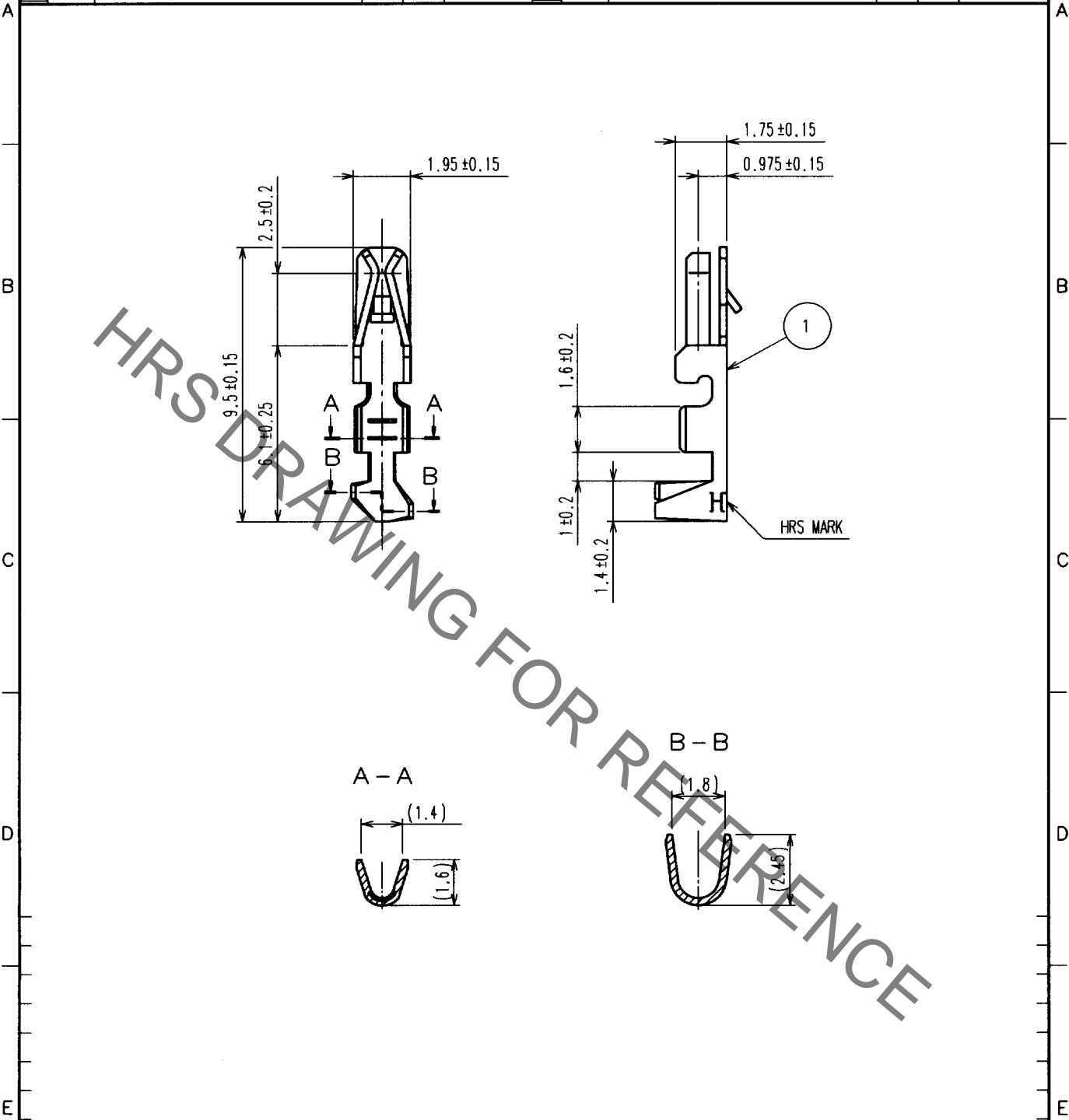


Sep.1.2020 Copyright 2020 HIROSE ELECTRIC CO., LTD. All Rights Reserved.
In case of consideration for using Automotive equipment / device which demand high reliability, kindly contact our sales window correspondents.

1		2			3			4		
COUNT	DESCRIPTION OF REVISIONS	BY	CHKD	DATE	COUNT	DESCRIPTION OF REVISIONS	BY	CHKD	DATE	
△					△					
△					△					
△					△					



NOTES 1. APPLICABLE CABLE : AWG24 TO 28

1	PHOSPHOR BRONZE	TIN PLATED
NO.	MATERIAL	FINISH, REMARKS

CODE NO. (OLD) CL	DRAWN J. NAKAMURA 01.05.16	DESIGNED <i>J. Inoue</i> '01.05.16	CHECKED <i>K. Akizawa</i> '01.5.17	APPROVED <i>K. Katayama</i> '01.5.17	RELEASED
----------------------	----------------------------------	--	--	--	----------

 SACLE 5 : 1 UNITS mm	DRAWING NO. EDC4-080531	PART NO. DF1B-2428SC
	 HRS HIROSE ELECTRIC CO., LTD.	CODE NO. CL541-0679-4

TO