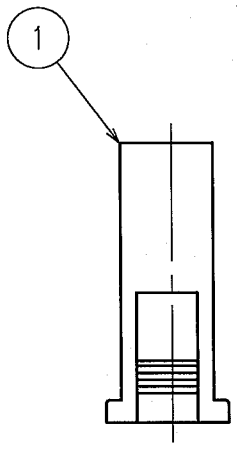
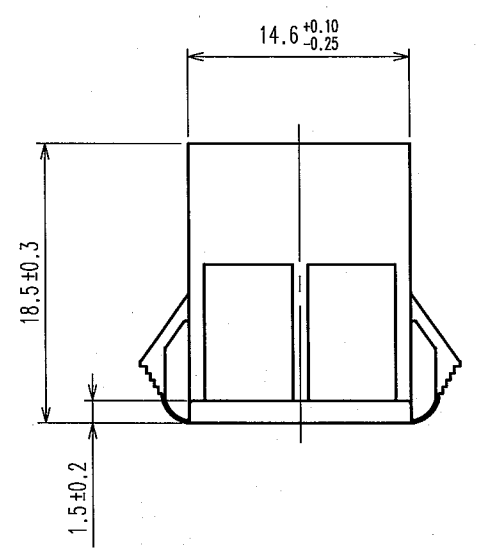
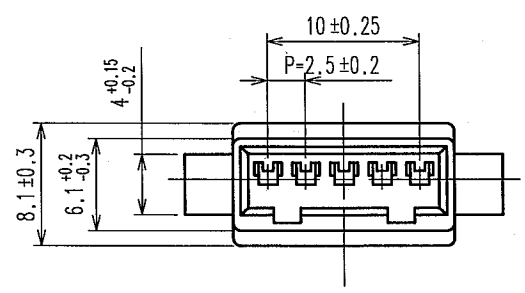
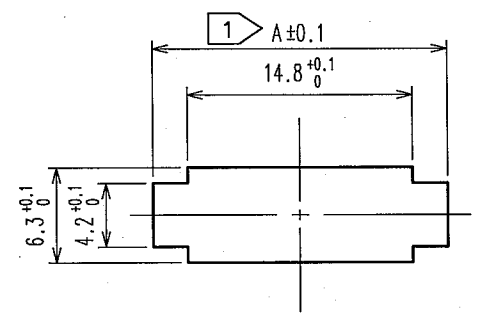


1 2 3 4 5 6 7 8

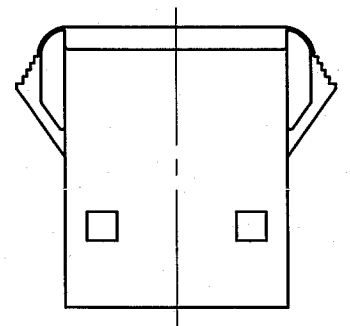
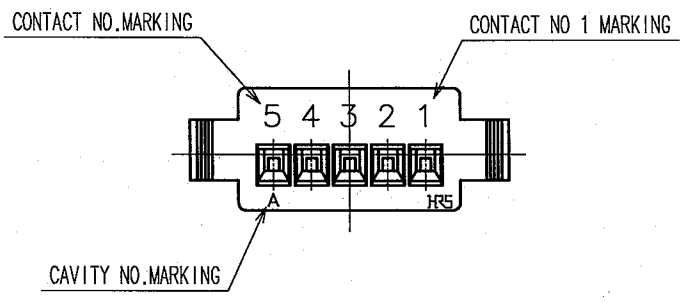
COUNT	DESCRIPTION OF REVISIONS	BY	CHKD	DATE	COUNT	DESCRIPTION OF REVISIONS	BY	CHKD	DATE
△				..	△				..
△				..	△				..
△				..	△				..



PANEL CUT-OUT DIMENSIONS



PANEL THICKNESS	0.5~1.2	1.3~1.6	1.7~2.0
A	18.7	19.4	20.1



NOTE 1: WHEN YOU MOUNT DF1BA RELAY SOCKET ON A PANEL, PLEASE TAKE NOTE OF DIMENSIONS A, INDICATED IN THE TABLE ABOVE. BECAUSE THE CUT-OUT DIMENSION DEPENDS ON PANEL THICKNESS. THE PANEL CUT OUT SHALL BE FREE FORM BURR.

TO

NO. 1		MATERIAL POLYAMIDE		FINISH, REMARKS NATURAL (WHITE), UL94V-0		
CODE NO. (OLD)		DRAWN	DESIGNED	CHECKED	APPROVED	RELEASED
		A. Miura '06.01.06	N. Niino '06.01.10	H. Tomihara '06.01.11	T. Ono '06.01.12	
SCALE 2 : 1		DRAWING NO. EDC3-081024-01		PART NO. DF1BA-5EP-2.5RC		
UNITS mm		HRS HIROSE ELECTRIC CO., LTD		CODE NO. CL541-0703-7		1/1