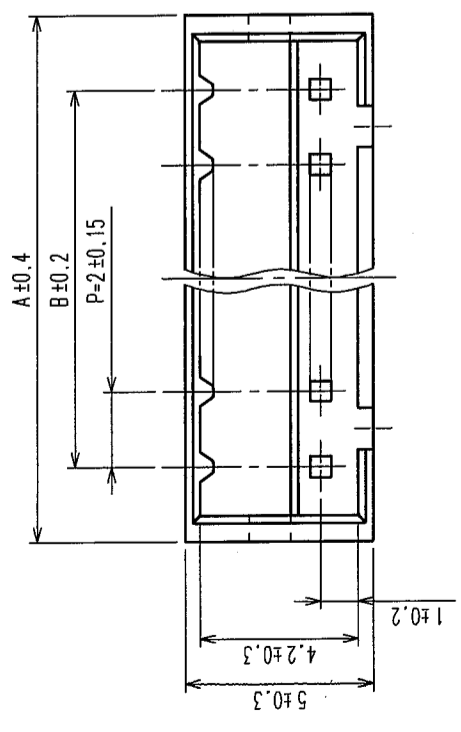
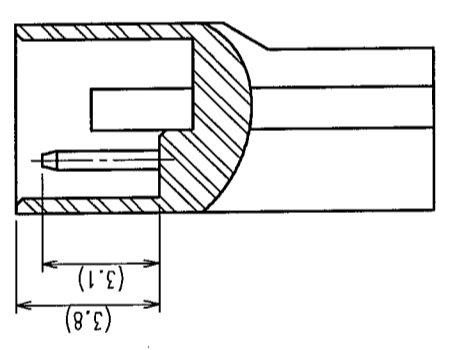


Nov.1.2020 Copyright 2020 HIROSE ELECTRIC CO., LTD. All Rights Reserved.
 In case of consideration for using Automotive equipment / device which demand high reliability, kindly contact our sales window correspondents.

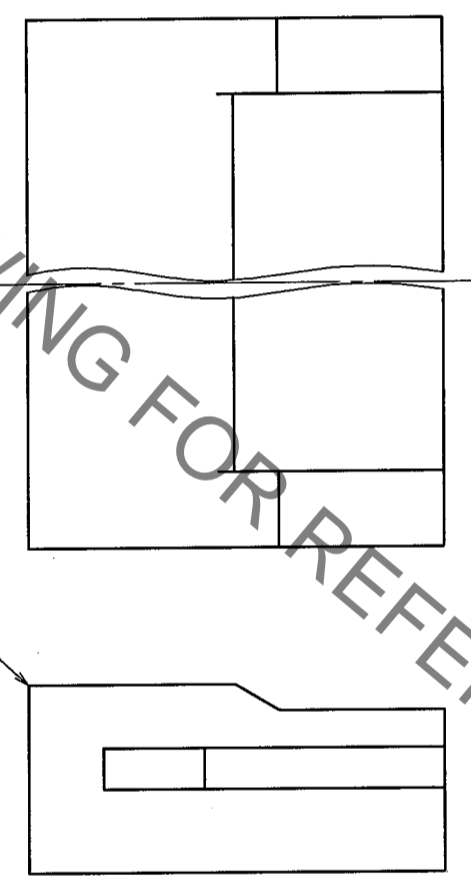
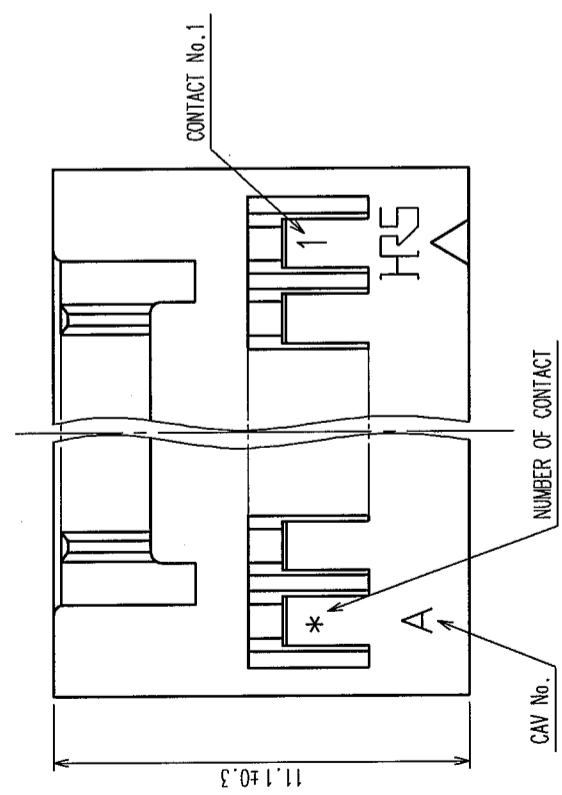
| 1 | 2 | 3 | 4 | 5 | 6 | 7 | 8 |
|------|----|------|------|-------|--------------------------|--------------------------|------|
| DATE | BY | CHKD | DATE | COUNT | DESCRIPTION OF REVISIONS | DESCRIPTION OF REVISIONS | DATE |
| | | | | | | | |
| | | | | | | | |
| | | | | | | | |

INSERTION FIGURE OF CRIMP CONTACT

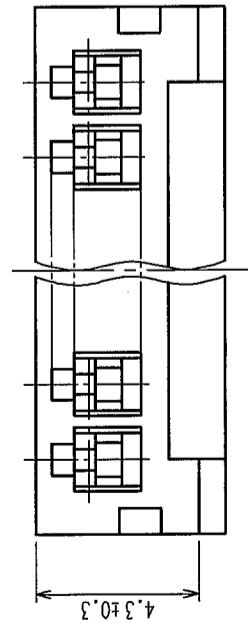
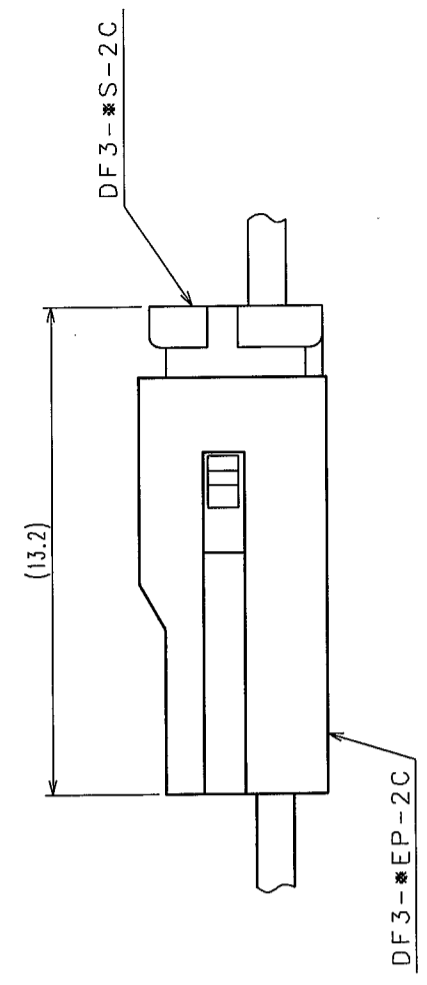


| CODE No. | PART No. | CONTACTS | A | B |
|--------------|-------------|----------|------|------|
| CL543-0064-2 | DF3-2EP-2C | 2 | 6.0 | 2.0 |
| CL543-0065-5 | DF3-3EP-2C | 3 | 8.0 | 4.0 |
| CL543-0066-8 | DF3-4EP-2C | 4 | 10.0 | 6.0 |
| CL543-0067-0 | DF3-5EP-2C | 5 | 12.0 | 8.0 |
| CL543-0068-3 | DF3-6EP-2C | 6 | 14.0 | 10.0 |
| CL543-0069-6 | DF3-7EP-2C | 7 | 16.0 | 12.0 |
| CL543-0070-5 | DF3-8EP-2C | 8 | 18.0 | 14.0 |
| CL543-0071-8 | DF3-9EP-2C | 9 | 20.0 | 16.0 |
| CL543-0072-0 | DF3-10EP-2C | 10 | 22.0 | 18.0 |
| CL543-0073-3 | DF3-11EP-2C | 11 | 24.0 | 20.0 |
| CL543-0074-6 | DF3-12EP-2C | 12 | 26.0 | 22.0 |
| CL543-0075-9 | DF3-13EP-2C | 13 | 28.0 | 24.0 |
| CL543-0076-1 | DF3-14EP-2C | 14 | 30.0 | 26.0 |
| CL543-0077-4 | DF3-15EP-2C | 15 | 32.0 | 28.0 |

HRS DRAWING FOR REFERENCE



MATED CONNECTORS



TO

| | | | | | |
|-----|-----------|-----------------|-----|----------|-----------------|
| NO. | MATERIAL | FINISH, REMARKS | NO. | MATERIAL | FINISH, REMARKS |
| 1 | POLYAMIDE | BLACK, UL94V-0 | | | |

| | | | | | | |
|----------------|----|-------------|-------------|--------------|----------|----------|
| CODE NO. (OLD) | CL | DRAWN | DESIGNED | CHECKED | APPROVED | RELEASED |
| | | S. Banerjee | S. Banerjee | J. Myskowski | J. Ono | |
| | | 04.03.08 | 04.03.08 | 04.03.08 | 04.03.09 | |

| | | | |
|-------------|----------------|----------|------------|
| DRAWING NO. | EDC3-162330-01 | PART NO. | DF3-*EP-2C |
| SCALE | 5 : 1 | CODE NO. | CL543- |
| UNITS | MM | | |