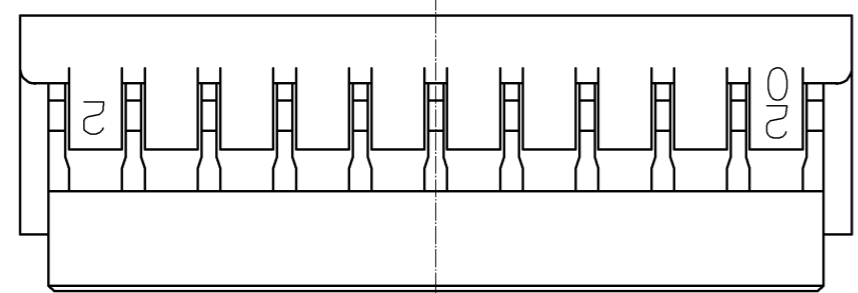
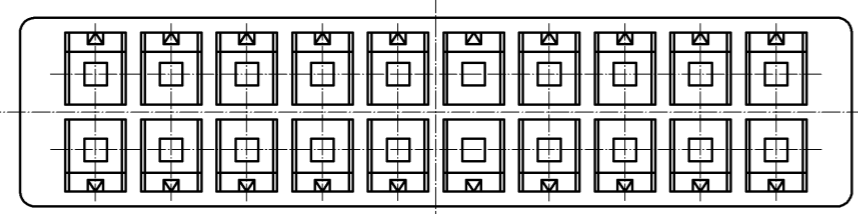
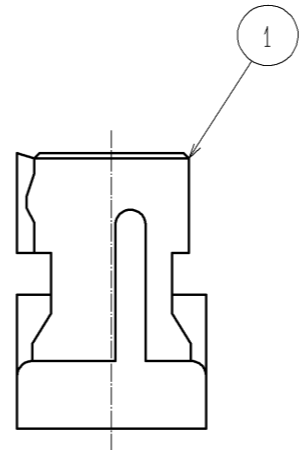
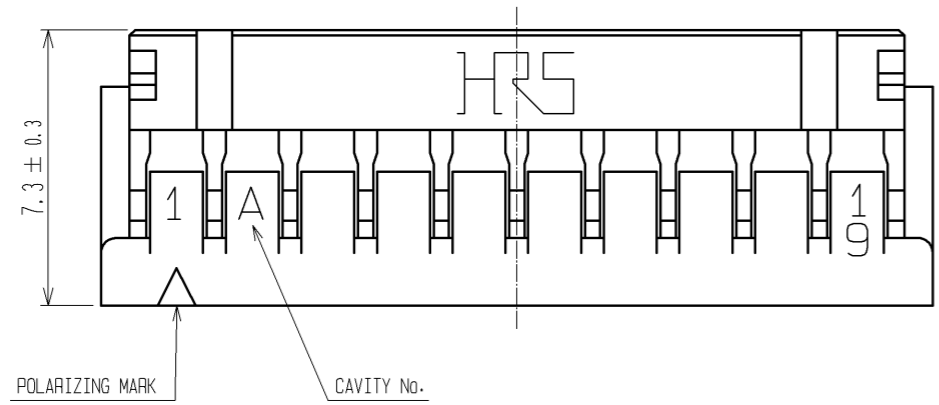
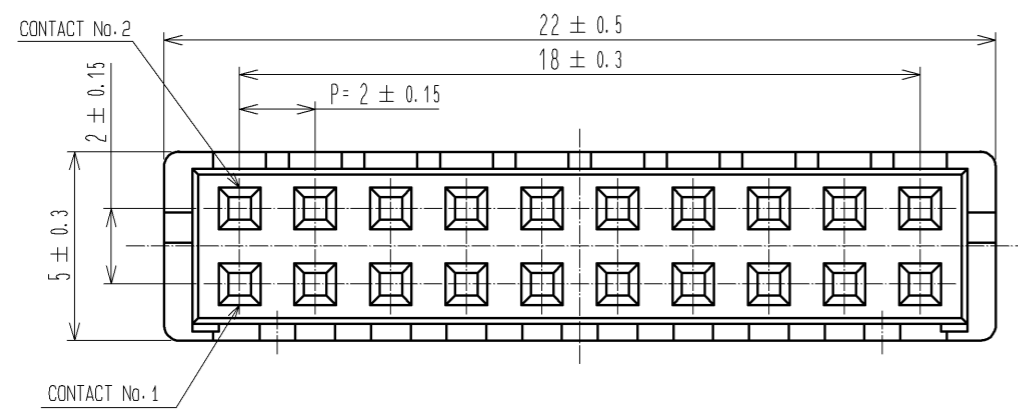


1 2 3 4 5 6 7 8

A
B
C
D
E
F



NOTE 1. 1 PACK : 100 CONNECTORS.

NO.	MATERIAL	FINISH . REMARKS	1	POLYAMIDE	BLACK, UL94V-0		
UNITS mm		SCALE 5 : 1	COUNT 	DESCRIPTION OF REVISIONS	DESIGNED	CHECKED	DATE
HRS HIROSE ELECTRIC CO., LTD.			APPROVED : TS. SAKATA	08.10.16	DRAWING NO. EDC3-020805-01		
			CHECKED : TS. KUMAZAWA	08.10.16	PART NO. DF11-20DS-2C		
			DESIGNED : KT. ISHII	08.10.09	CODE NO. CL543-0509-7-00		
			DRAWN : KT. ISHII	08.10.09			