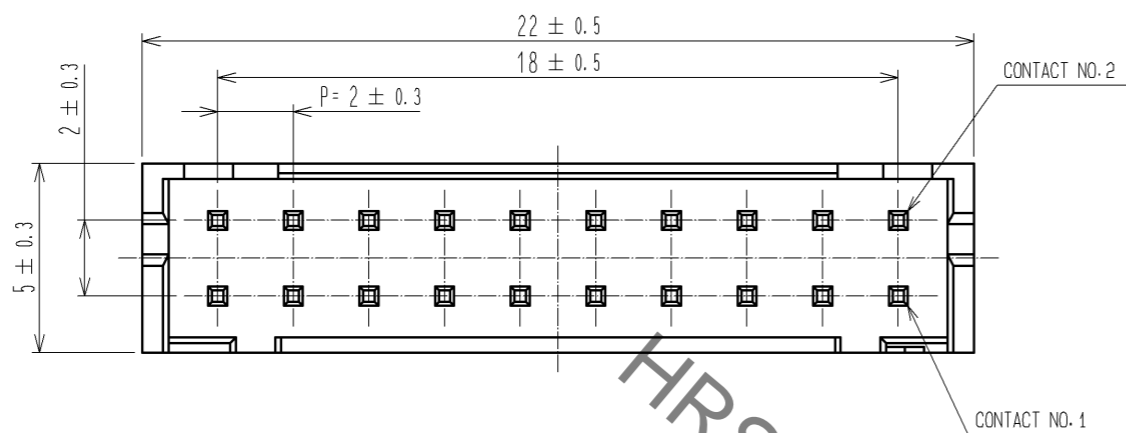
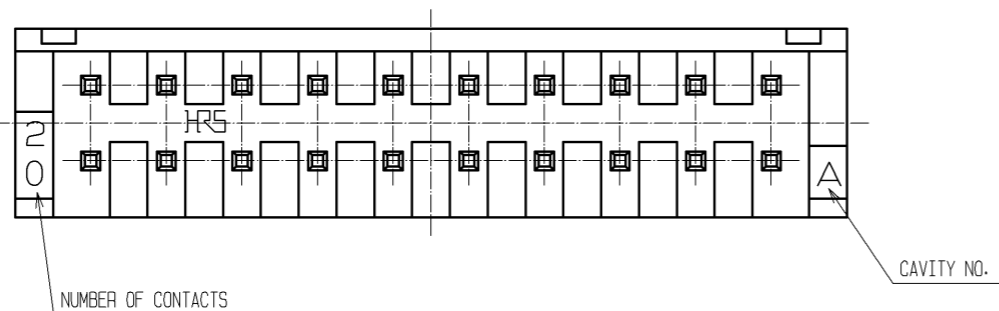
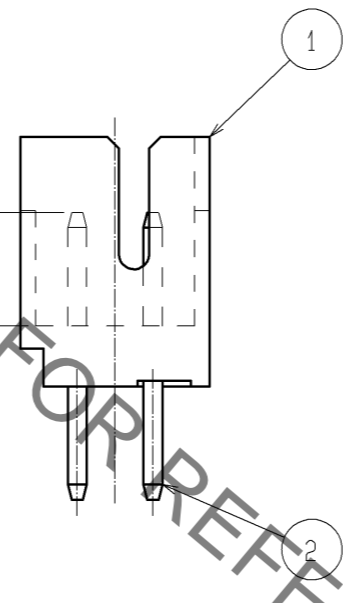
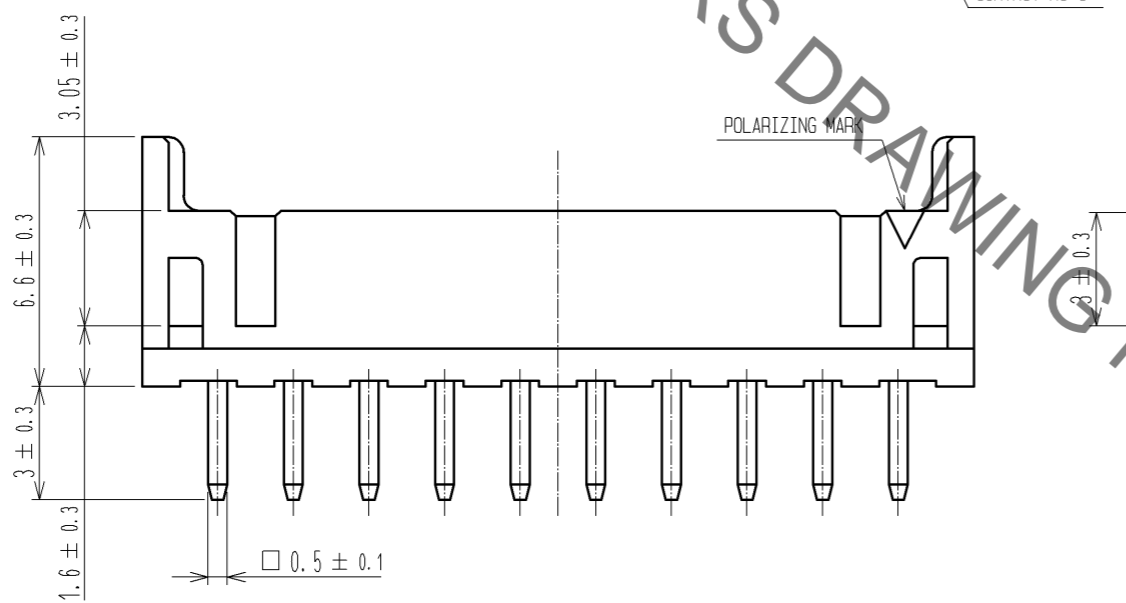
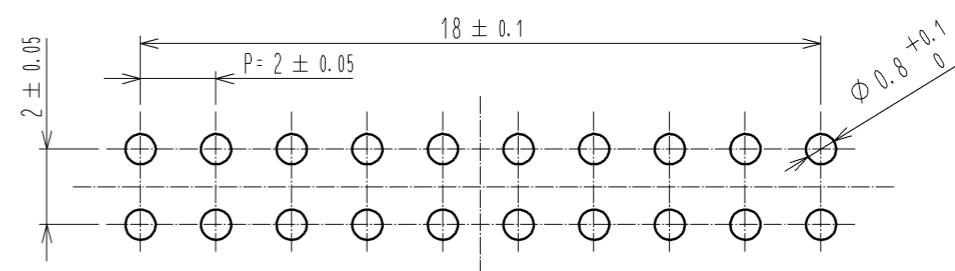


Sep.1.2020 Copyright 2020 HIROSE ELECTRIC CO., LTD. All Rights Reserved.
In case of consideration for using Automotive equipment / device which demand high reliability, kindly contact our sales window correspondents.



RECOMMENDED PATTERN (BOARD THICKNESS t=1.6mm)



NOTES 1 : 100 PIECES PER PACK.

1	POLYAMIDE	BLACK, UL94V-0	2	BRASS	SURFACE:GOLD PLATED 0.2µm min UNDER PLATING:NICKEL PLATED 1µm min		
NO.	MATERIAL	FINISH, REMARKS	NO.	MATERIAL	FINISH, REMARKS		
UNITS mm		SCALE 5 : 1	COUNT 	DESCRIPTION OF REVISIONS	DESIGNED	CHECKED	DATE
HRS HIROSE ELECTRIC CO., LTD.		APPROVED : TS. SAKATA	08.10.16	DRAWING NO. EDC3-020823-01			
		CHECKED : TS. KUMAZAWA	08.10.10	PART NO. DF11-20DP-2DSA(C01)			
		DESIGNED : KT. ISHII	08.10.07	CODE NO. CL543-0525-3-01			
		DRAWN : KT. ISHII	08.10.07			1/1	