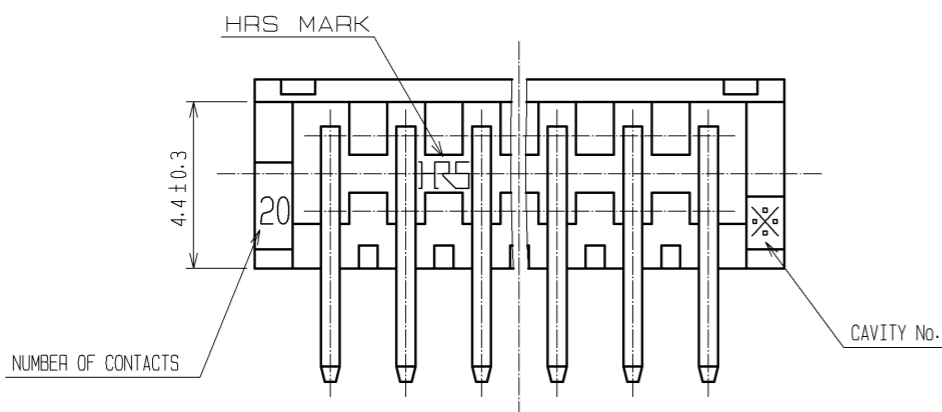
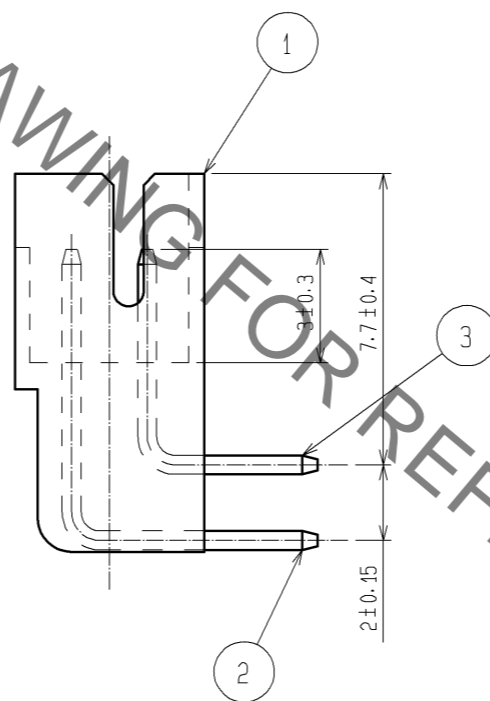
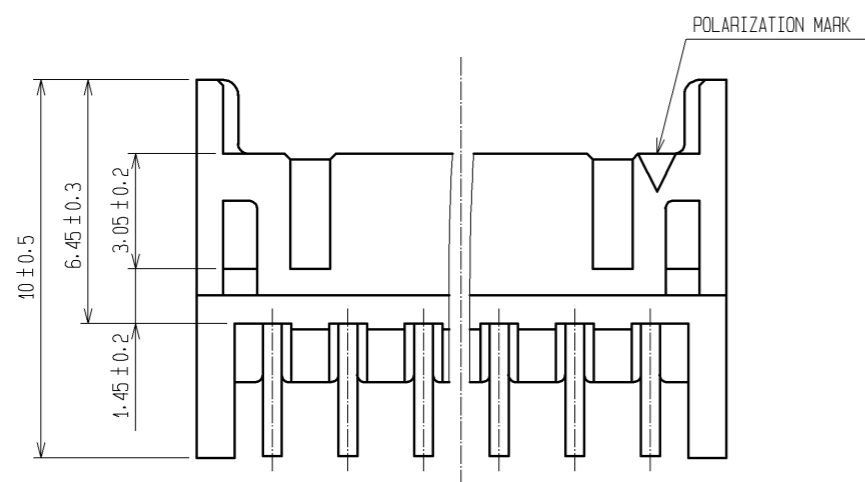
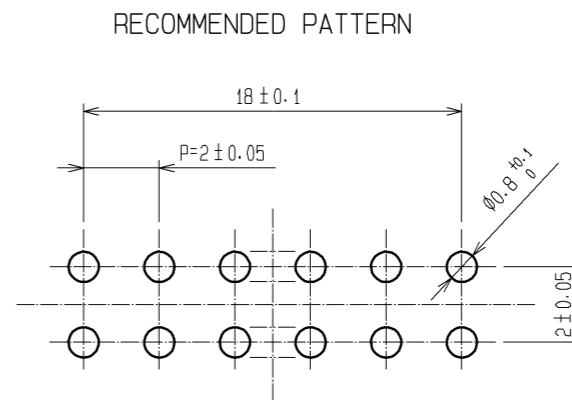
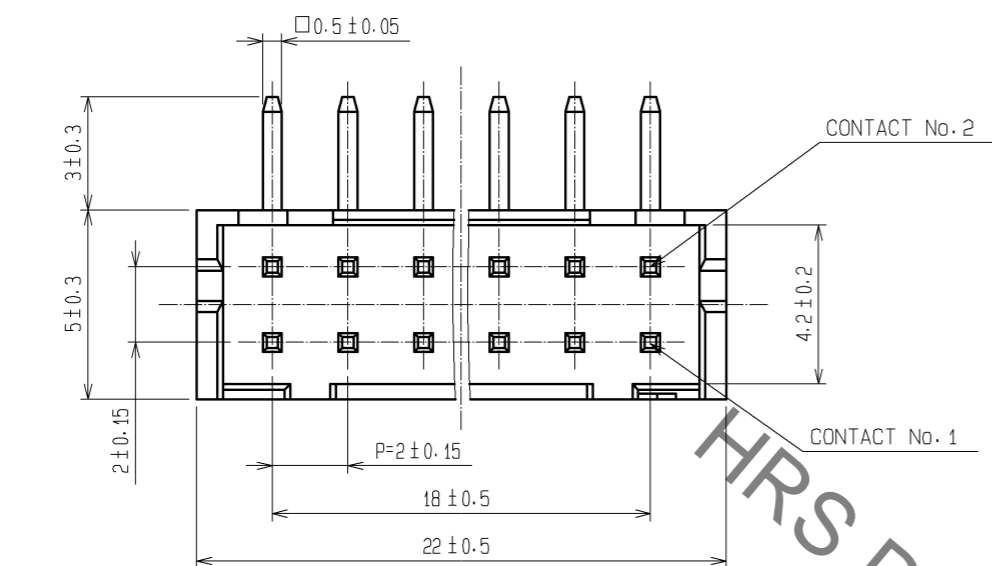


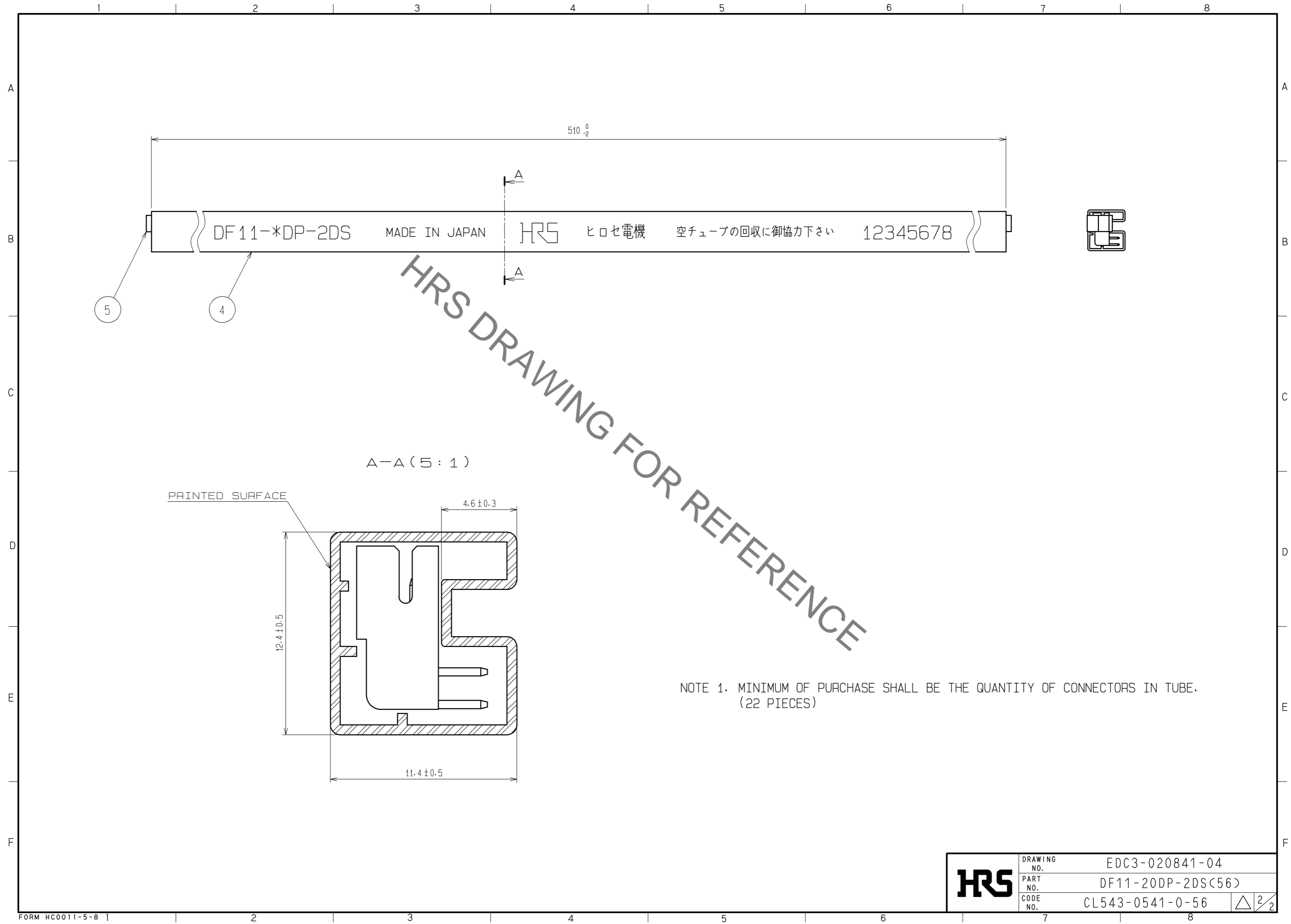
Oct.1.2019 Copyright 2019 HIROSE ELECTRIC CO., LTD. All Rights Reserved.
 In case of consideration for using Automotive equipment / device which demand high reliability, kindly contact our sales window correspondents.



HRS DRAWING FOR REFERENCE

2	BRASS	SURFACE:GOLD PLATED 0.76#m min UNDER PLATING:NICKEL PLATED 1#m min	5	ELASTOMER	STOPPER		
1	POLYAMIDE	BLACK UL94V-0	4	PS	ELECTROSTATIC PROTECTION(CLEAR)		
			3	BRASS	SURFACE:GOLD PLATED 0.76#m min UNDER PLATING:NICKEL PLATED 1#m min		
NO.	MATERIAL	FINISH . REMARKS	NO.	MATERIAL	FINISH . REMARKS		
UNITS mm		SCALE 5 : 1	COUNT 	DESCRIPTION OF REVISIONS	DESIGNED	CHECKED	DATE
HRS HIROSE ELECTRIC CO., LTD.		APPROVED : KI. AKIYAMA	12.09.07	DRAWING NO. EDC3-020841-04			
		CHECKED : HK. UMEHARA	12.09.07	PART NO. DF11-20DP-2DS(56)			
		DESIGNED : TS. KUMAZAWA	12.09.07	CODE NO. CL543-0541-0-56			
		DRAWN : MI. SAKIMURA	12.09.07			1/2	

Oct.1.2019 Copyright 2019 HIROSE ELECTRIC CO., LTD. All Rights Reserved.
In case of consideration for using Automotive equipment / device which demand high reliability, kindly contact our sales window correspondents.



HRS DRAWING FOR REFERENCE

NOTE 1. MINIMUM OF PURCHASE SHALL BE THE QUANTITY OF CONNECTORS IN TUBE.
(22 PIECES)

HRS	DRAWING NO.	EDC3-020841-04
	PART NO.	DF11-20DP-2DS<56>
	CODE NO.	CL543-0541-0-56
		\triangle 2/2