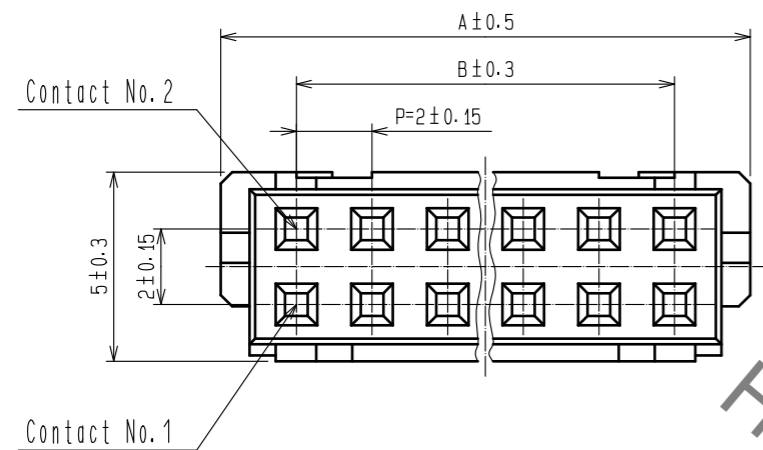
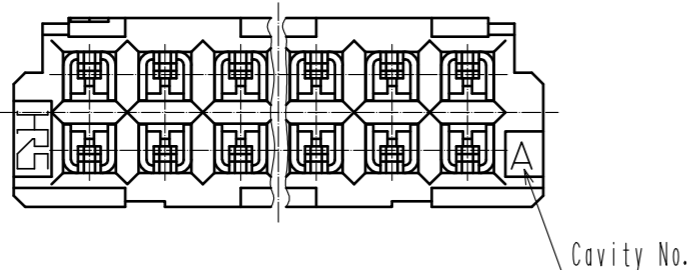
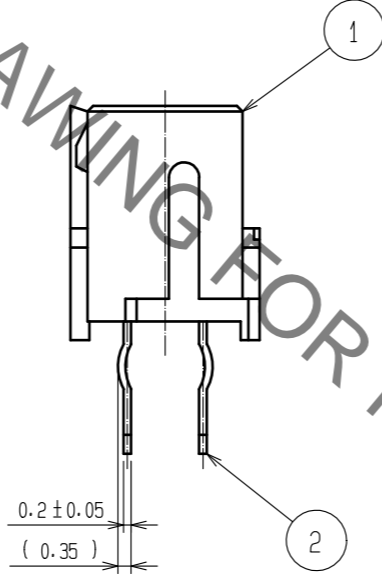
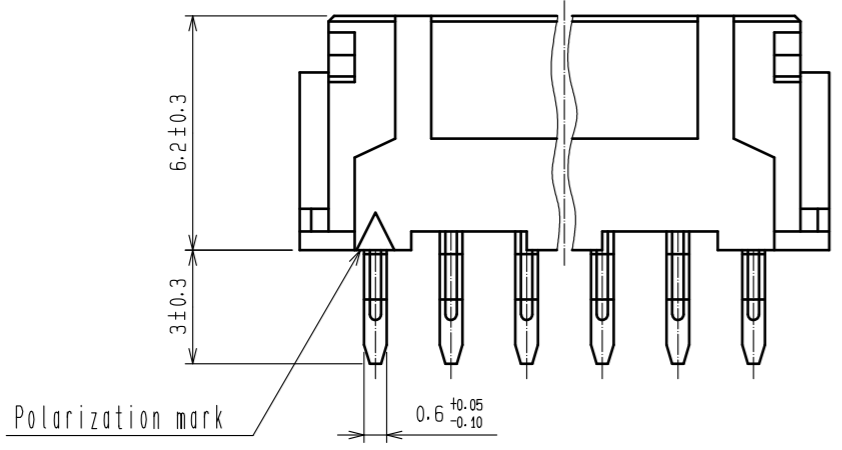
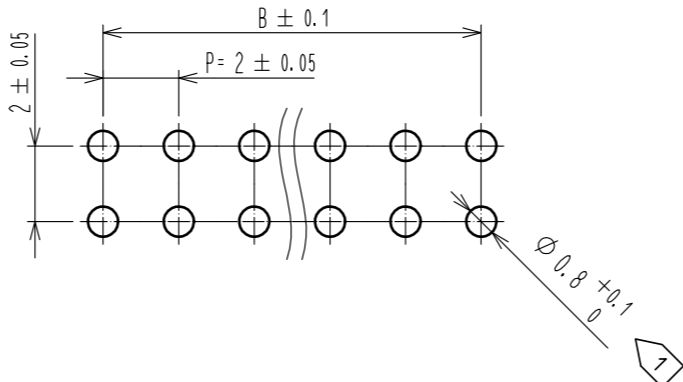


Sep.1.2019 Copyright 2019 HIROSE ELECTRIC CO., LTD. All Rights Reserved.  
In case of consideration for using Automotive equipment / device which demand high reliability, kindly contact our sales window correspondents.



△ Recommended PCB layout  
(Recommended thickness t=1.6mm)



CODE No.	PART No.	NUMBER OF CONTACT	A	B
543-0553-9-06	DF11- 6DS-2DSA(06)	6	8.0	4.0
543-0554-1-06	DF11- 8DS-2DSA(06)	8	10.0	6.0
543-0555-4-06	DF11-10DS-2DSA(06)	10	12.0	8.0
543-0556-7-06	DF11-12DS-2DSA(06)	12	14.0	10.0
543-0557-0-06	DF11-14DS-2DSA(06)	14	16.0	12.0
543-0558-2-06	DF11-16DS-2DSA(06)	16	18.0	14.0
543-0559-5-06	DF11-18DS-2DSA(06)	18	20.0	16.0
543-0560-4-06	DF11-20DS-2DSA(06)	20	22.0	18.0
543-0561-7-06	DF11-22DS-2DSA(06)	22	24.0	20.0
543-0562-0-06	DF11-24DS-2DSA(06)	24	26.0	22.0
543-0563-2-06	DF11-26DS-2DSA(06)	26	28.0	24.0
543-0564-5-06	DF11-28DS-2DSA(06)	28	30.0	26.0
543-0565-8-06	DF11-30DS-2DSA(06)	30	32.0	28.0
543-0566-0-06	DF11-32DS-2DSA(06)	32	34.0	30.0

- △ Notes ① If pre-fixation to PCB before flow soldering is required, through hole dimension shall be  $\phi 0.8^{+0.05}_0$ .  
2. The minimum order quantity is by the one pack amount '100 pieces'.

1	Polyamide	UL94V-0, Black	2	Brass	Contact area : Gold plated 0.2μm min. Lead area : Tin plated 2μm min. Under plating : Nickel plated 1μm min.
NO.	MATERIAL	FINISH . REMARKS	NO.	MATERIAL	FINISH . REMARKS
UNITS mm		SCALE 5 : 1	COUNT 2	DESCRIPTION OF REVISIONS DIS-H-00002846	DESIGNED TS.MIYAKI
HIROSE ELECTRIC CO., LTD.		APPROVED : KJ. KATAYOSE 05.01.05	DRAWING NO. EDC3-162401-02		
		CHECKED : TY. OMA 05.01.05	PART NO. DF11- *DS-2DSA(06)		
		DESIGNED : IO. DENPOUYA 05.01.05	CODE NO. CL543-		
		DRAWN : IO. DENPOUYA 05.01.05	DATE 17.05.22		