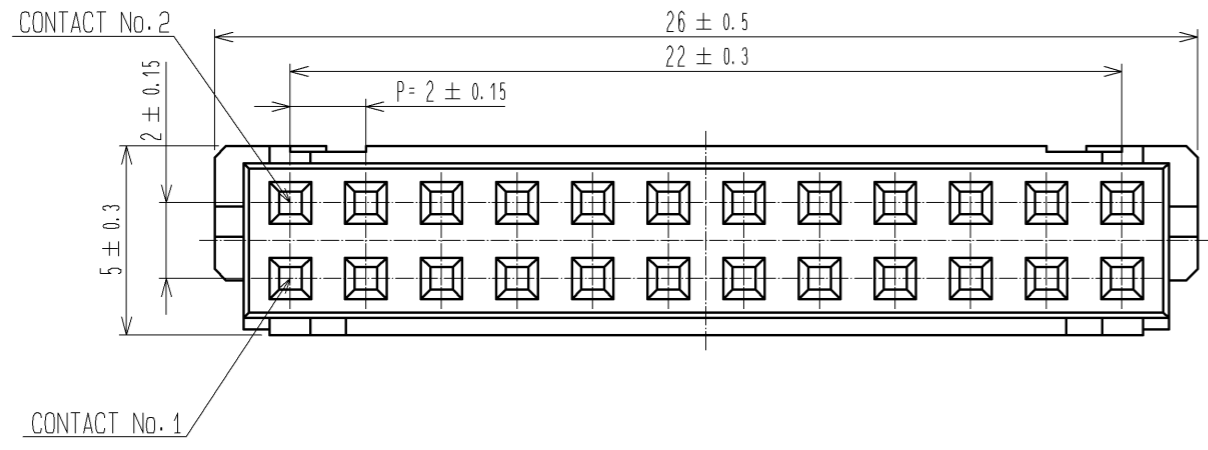


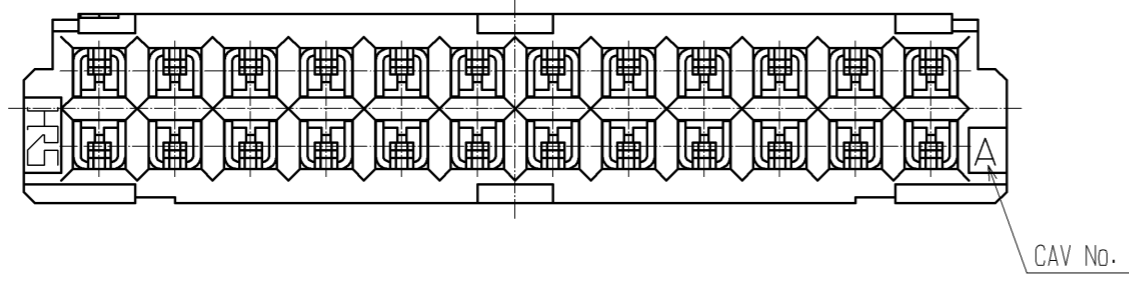
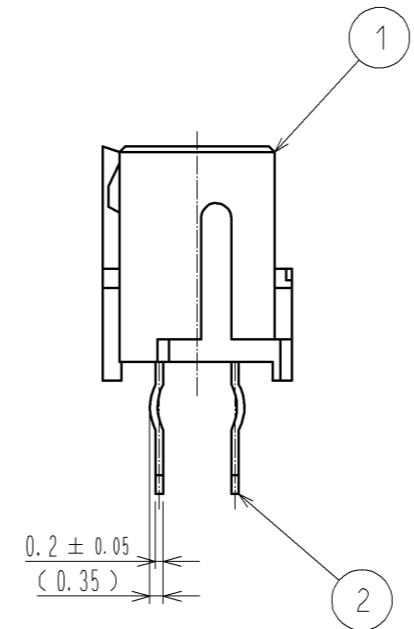
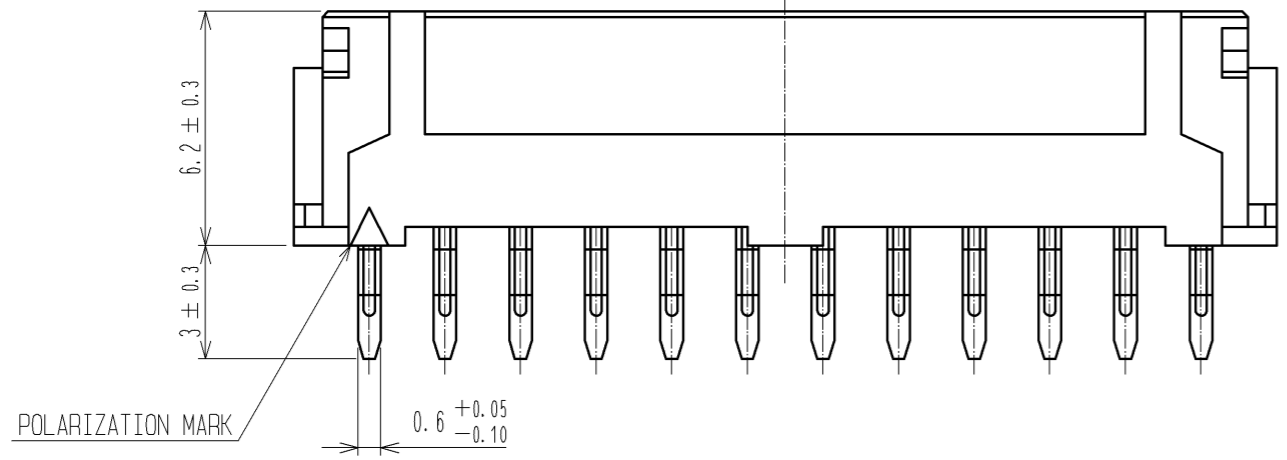
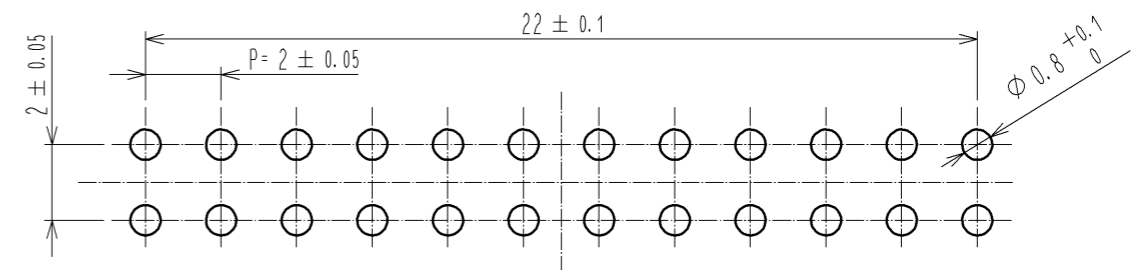
1 2 3 4 5 6 7 8

A  
B  
C  
D  
E  
F

A  
B  
C  
D  
E  
F



RECOMMENDED PATTERN (BOARD THICKNESS t=1.6mm)



NOTES 1: THE DIMENSION OF PROSITY OF KINK  $\phi 0.8^{+0.05}_0$

1	POLYAMIDE	UL94V-0, BLACK	2	BRASS	TIN PLATED 2µm min			
NO.	MATERIAL	FINISH, REMARKS	NO.	MATERIAL	FINISH, REMARKS			
UNITS mm		SCALE 5 : 1		COUNT	DESCRIPTION OF REVISIONS	DESIGNED	CHECKED	DATE
<b>HRS</b> HIROSE ELECTRIC CO., LTD.		APPROVED : TS. SAKATA	08.10.22	DRAWING NO. EDC3-080254-01				
		CHECKED : TS. KUMAZAWA	08.10.22	PART NO. DF11-24DS-2DSA(C05)				
		DESIGNED : KT. ISHII	08.10.14	CODE NO. CL543-0562-0-05				
		DRAWN : KT. ISHII	08.10.14			1/1		