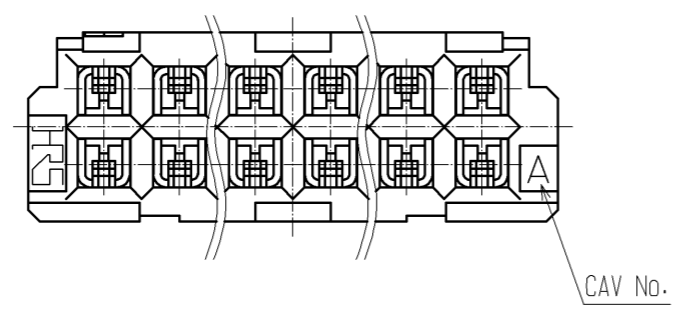
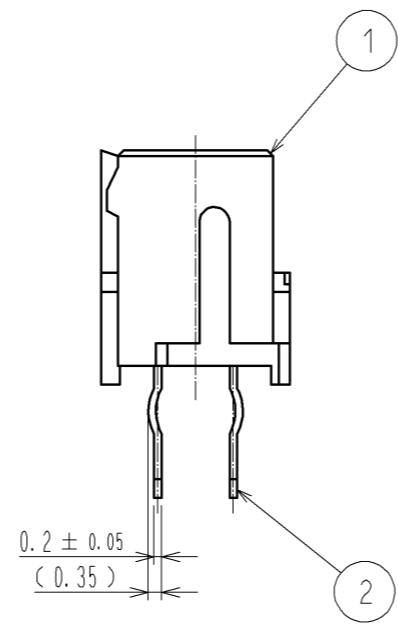
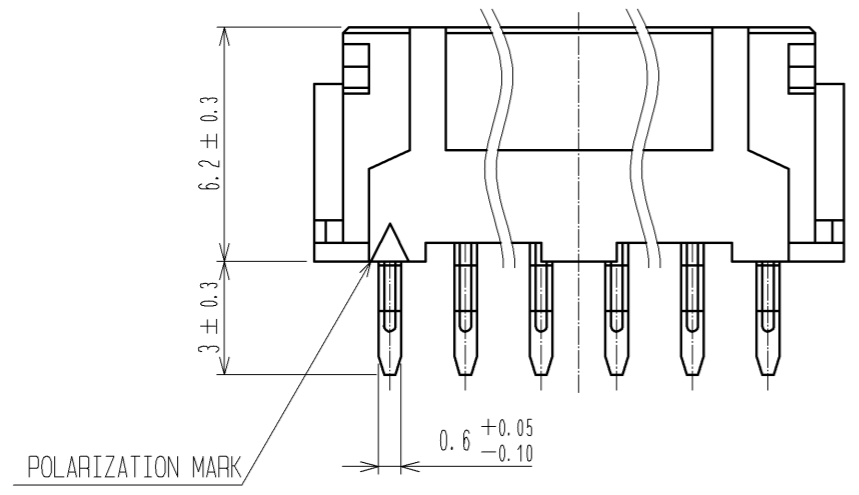
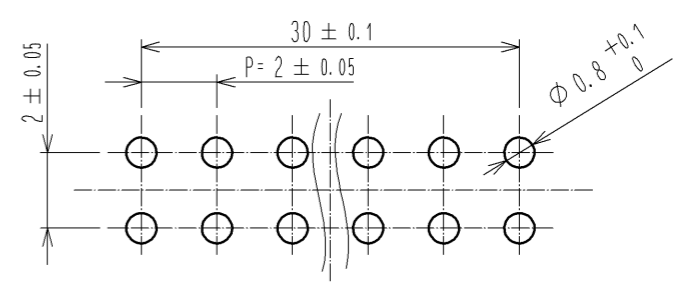


RECOMMENDED PATTERN (BOARD THICKNESS t=1.6mm)



NOTES 1: THE DIMENSION OF PROSITY OF KINK $\phi 0.8^{+0.05}_0$

1	POLYAMIDE	UL94V-0, BLACK	2	BRASS	TIN PLATED 2μm min
NO.	MATERIAL	FINISH, REMARKS	NO.	MATERIAL	FINISH, REMARKS
UNITS mm		SCALE 5 : 1		DESCRIPTION OF REVISIONS	DESIGNED
	HIROSE ELECTRIC CO., LTD.	APPROVED : TS. SAKATA	08.10.22	DRAWING NO.	EDC3-081107-01
		CHECKED : TS. KUMAZAWA	08.10.22	PART NO.	DF11-32DS-2DSA(C05)
		DESIGNED : KT. ISHII	08.10.14	CODE NO.	CL543-0566-0-05
		DRAWN : KT. ISHII	08.10.14		