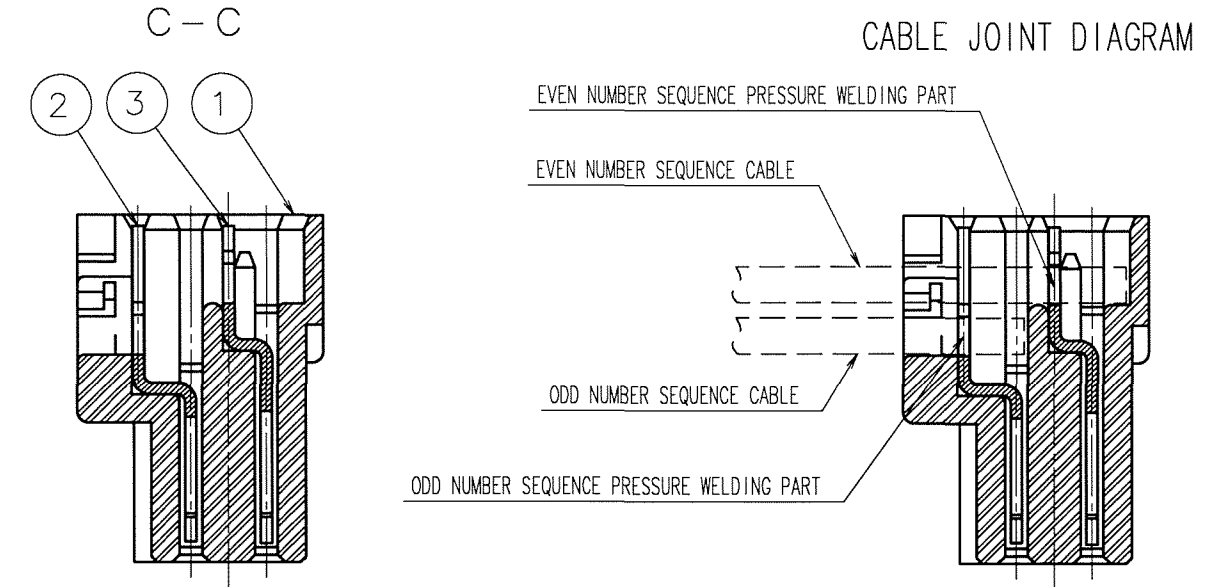
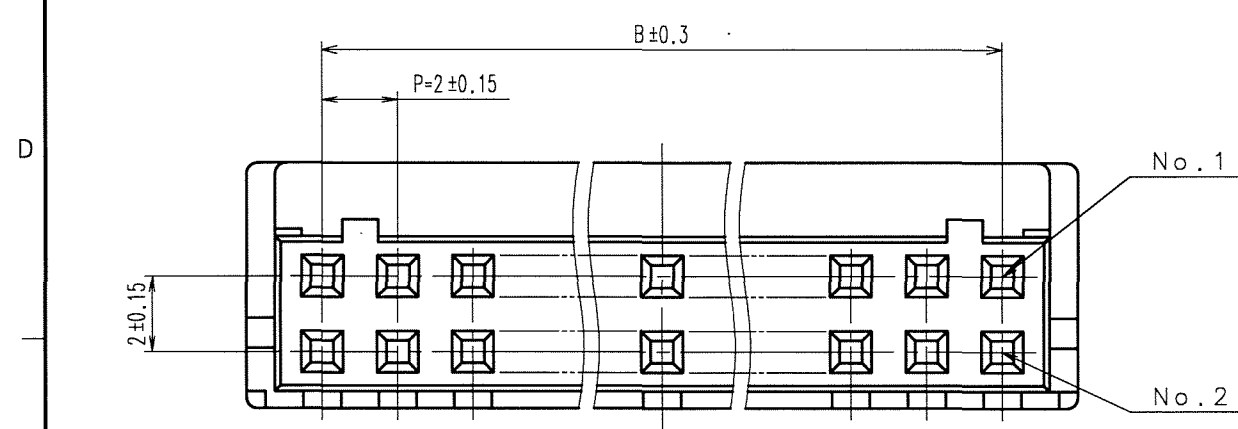
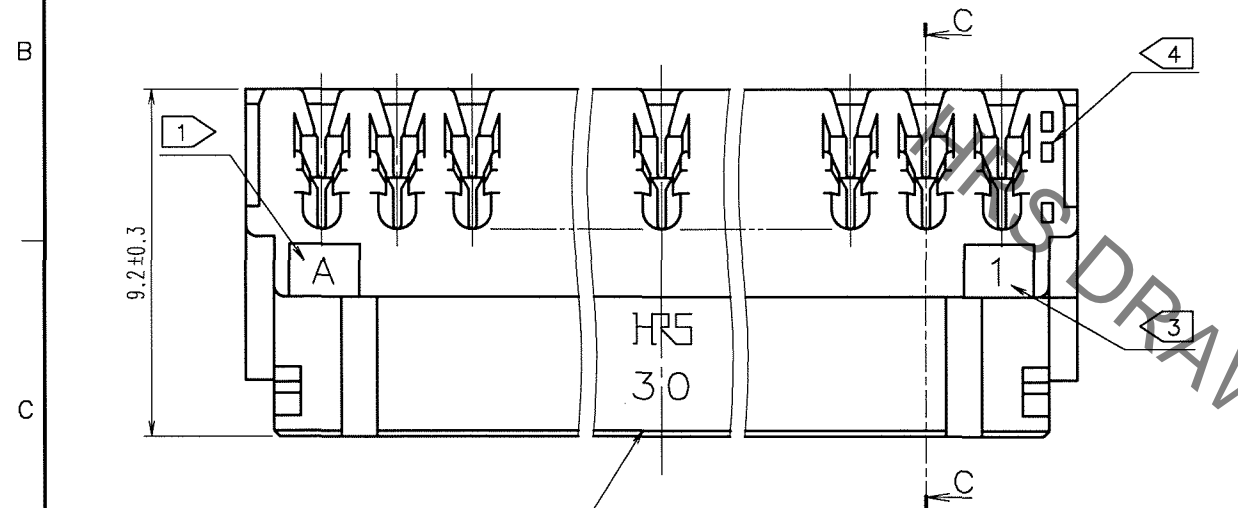
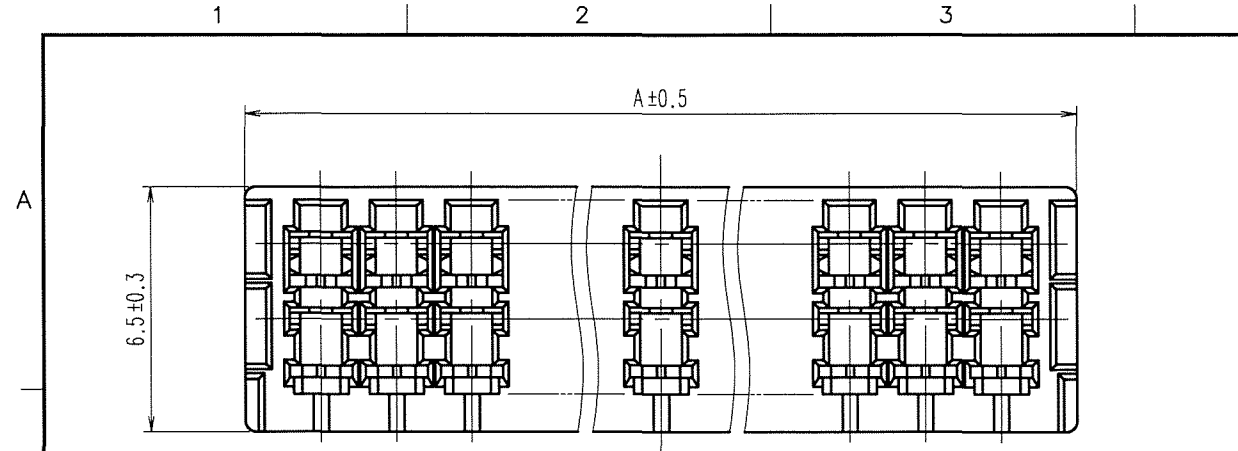


Dec.1.2019 Copyright 2019 HIROSE ELECTRIC CO., LTD. All Rights Reserved.
In case of consideration for using Automotive equipment / device which demand high reliability, kindly contact our sales window correspondents.

COUNT	DESCRIPTION OF REVISIONS	BY	CHKD	DATE	COUNT	DESCRIPTION OF REVISIONS	BY	CHKD	DATE



HRS NO.	PART NO.	A	B
CL543-0652-0-05	DF11- 4DS-2R26(05)	6	2
CL543-0653-3-05	DF11- 6DS-2R26(05)	8	4
CL543-0654-6-05	DF11- 8DS-2R26(05)	10	6
CL543-0655-9-05	DF11-10DS-2R26(05)	12	8
CL543-0656-1-05	DF11-12DS-2R26(05)	14	10
CL543-0657-4-05	DF11-14DS-2R26(05)	16	12
CL543-0658-7-05	DF11-16DS-2R26(05)	18	14
CL543-0659-0-05	DF11-18DS-2R26(05)	20	16
CL543-0660-9-05	DF11-20DS-2R26(05)	22	18
CL543-0661-1-05	DF11-22DS-2R26(05)	24	20
CL543-0662-4-05	DF11-24DS-2R26(05)	26	22
CL543-0663-7-05	DF11-26DS-2R26(05)	28	24
CL543-0664-0-05	DF11-28DS-2R26(05)	30	26
CL543-0665-2-05	DF11-30DS-2R26(05)	32	28
CL543-0666-5-05	DF11-32DS-2R26(05)	34	30

- NOTES
- 1 DIE CAVITY No.
 - 2 NUMBER OF CONTACT.
 - 3 AT CONTACT No.1 SIDE.
 - 4 ONE SQUARE HOLE IN LOW ROW MEANS ODD NUMBER SIDE AND TWO SQUARE HOLES IN UPPER LOW EVEN NUMBER OF CONTACT No. RESPECTIVELY.

SUFFIX	WIRE	WIRE CONSTRUCTION	OUTER DIAMETER OF INSULATION
R26	UL1061 AWG26	7/0.16	0.95 TO 1.05

2	PHOSPHOR BRONZE	SURFACE:TIN PLATED 1μm min UNDER PLATING:NICKEL PLATED 0.5μm min	3	PHOSPHOR BRONZE	SURFACE:TIN PLATED 1μm min UNDER PLATING:NICKEL PLATED 0.5μm min	
1	POLYAMIDE	UL94V-0, BLACK				
NO.	MATERIAL	FINISH, REMARKS	NO.	MATERIAL	FINISH, REMARKS	
CODE NO. (OLD)		DRAWN	DESIGNED	CHECKED	APPROVED	RELEASED
		A.Miura	N. Niise	H. Umehara	J. Omi	
		'06.02.22	'06.03.08	'06.03.10	'06.03.14	
DRAWING NO. EDC3-071615-01			PART NO. DF11-*DS-2R26(05)			
SCALE 5 : 1			CODE NO. CL543			
UNITS mm			HIROSE ELECTRIC CO., LTD			

TO